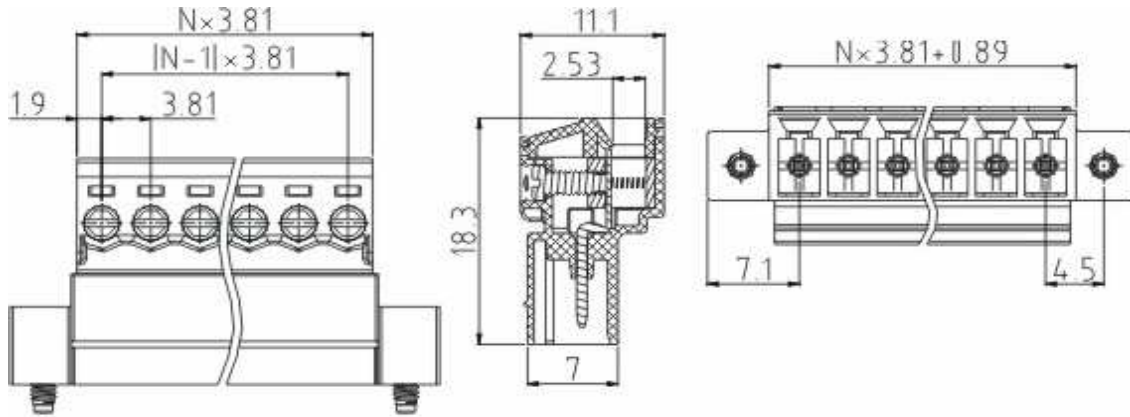


EDCON-COMPONENTS



Drawing



P.C.B. Layout

Specification

APPLYING APPROVAL

Electrical

Standard
Rated voltage
Rated current
Wire range
Withstanding voltage

(cULus)
pending

cULus
300V
8A
30-14 AWG
1.6KV

Mechanical

Ambient temperature
Strip length
Screw, Torque

-40°C ~ +115°C
6 ~ 7mm
M2, 0.2Nm (2Lb-In.)

Dimensions

Pitch
Poles

3.81mm
2P - 24P

Material

Housing
Wire guard
Terminal screw
Metal housing

Thermoplastic (UL94V-0)
PhBz(CuSn)
Steel Zinc
Brass (CuZn)



Certification



Pluggable Terminal Block /
Pitch 3.81mm

Part No.: A14H085

Customer:

DRW:	Justin	CHKD	Frank	MATL:	Jordan	TOLERANCE	Lord	Date	10.02.2009
APPD:	Pete			FINISH	Mike			Sheet No.	1 from 3

www.edcon-components.com

email: info@edcon-components.com

EDCON-COMPONENTS



Ordering Informations

Serie	-	No. of Pole	Body-Color	-	Customer Request
A14H085	-	XX	XX	-	X
		XX = total	WH - white		
		02	GN - green		
		...	GR - gray		
		24	TP - transparent		
			OR - orange		
			BK - black		
			BL - blue		
			RD - red		
			YW - yellow		
			PG - Phoenix Green		



Certification



Pluggable Terminal Block / Pitch 3.81mm	
Part No.:	A14H085
Customer:	

DRW:	Justin	CHKD	Frank	MATL:	Jordan	TOLERANCE	Lord	Date	10.02.2009
APPD:	Pete			FINISH	Mike			Sheet No.	2 from 3

www.edcon-components.com

email: info@edcon-components.com

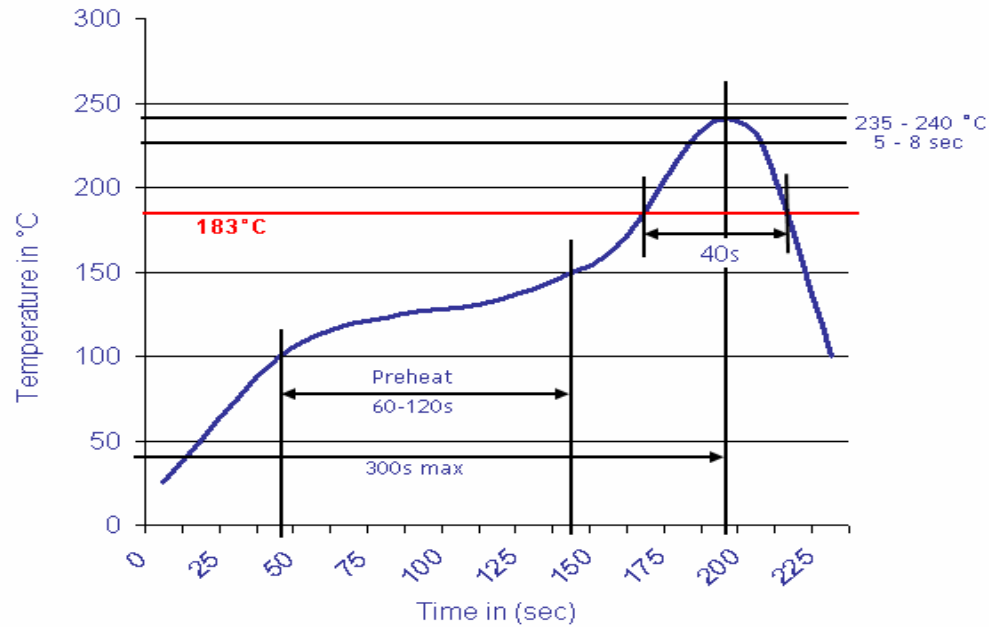
Copyright by EDCON-COMPONENTS

EDCON-COMPONENTS



Soldering - Profil

Classification Reflow Profile (JEDEC J-STD-020C)



Pluggable Terminal Block / Pitch 3.81mm	
Part No.:	A14H085
Customer:	

DRW:	Justin	CHKD:	Frank	MATL:	Jordan	TOLERANCE:	Lord	Date:	10.02.2009
APPD:	Pete	FINISH:	Mike				Sheet No.:	3 from 3	