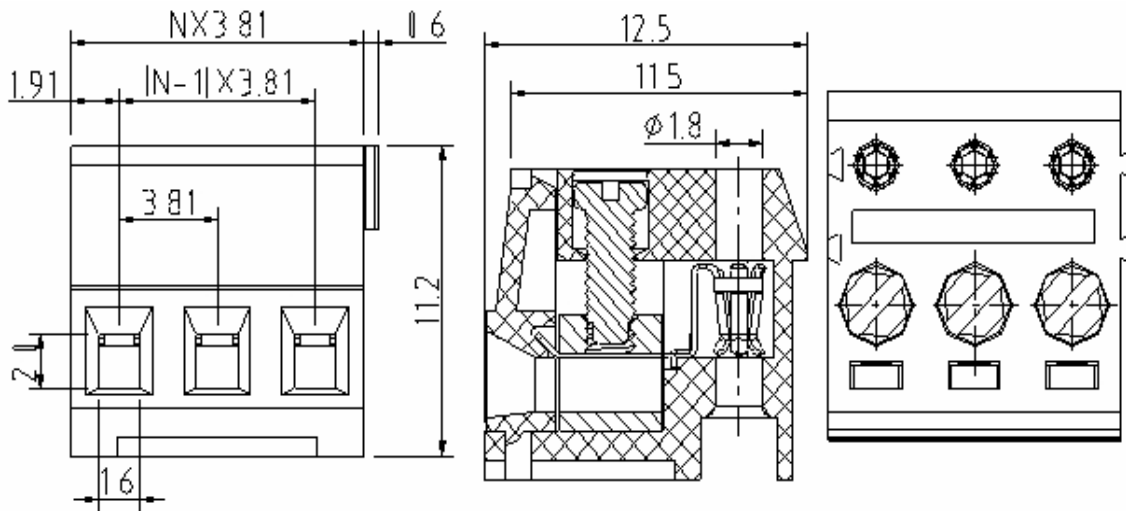


EDCON-COMPONENTS



Drawing



Specification

APPROVAL



Electrical

Standard
 Rated voltage
 Rated current
 Wire range
 Withstanding voltage

cULus
 300V
 10A
 28-16 AWG
 1.6KV

Mechanical

Ambient temperature
 Strip length
 Screw, Torque

-40°C ~ +115°C
 5 ~ 6mm
 M2, 0.2Nm (1.7Lb-In.)

Dimensions

Pitch
 Poles

3.81mm
 2P, 3P, 4P

Material

Housing
 Pin header
 Wire guard
 Terminal screw
 Metal housing

Thermoplastic (UL94V-0)
 Brass, Tin plated
 PhBz (CuSn)
 Steel Zinc
 Brass (CuZn)



Certification



Pluggable Terminal Block /
 Pitch 3.81mm

Part No.: A14H080

Customer:

DRW:	Justin	CHKD	Frank	MATL:	Jordan	TOLERANCE	Lord	Date	10.02.2009
APPD:	Pete			FINISH	Mike			Sheet No.	1 from 3

www.edcon-components.com

email: info@edcon-components.com

EDCON-COMPONENTS



Ordering Informations

Serie	-	No. of Pole	Body-Color	-	Customer Request
A14H080	-	XX	XX	-	X
		XX = total	WH - white		
		02	GN - green		
		03	GR - gray		
		04	TP - transparent		
			OR - orange		
			BK - black		
			BL - blue		
			RD - red		
			YW - yellow		
			PG - Phoenix Green		



Certification



Pluggable Terminal Block / Pitch 3.81mm	
Part No.:	A14H080
Customer:	

DRW:	Justin	CHKD	Frank	MATL:	Jordan	TOLERANCE	Lord	Date	10.02.2009
APPD:	Pete			FINISH	Mike			Sheet No.	2 from 3

www.edcon-components.com

email: info@edcon-components.com

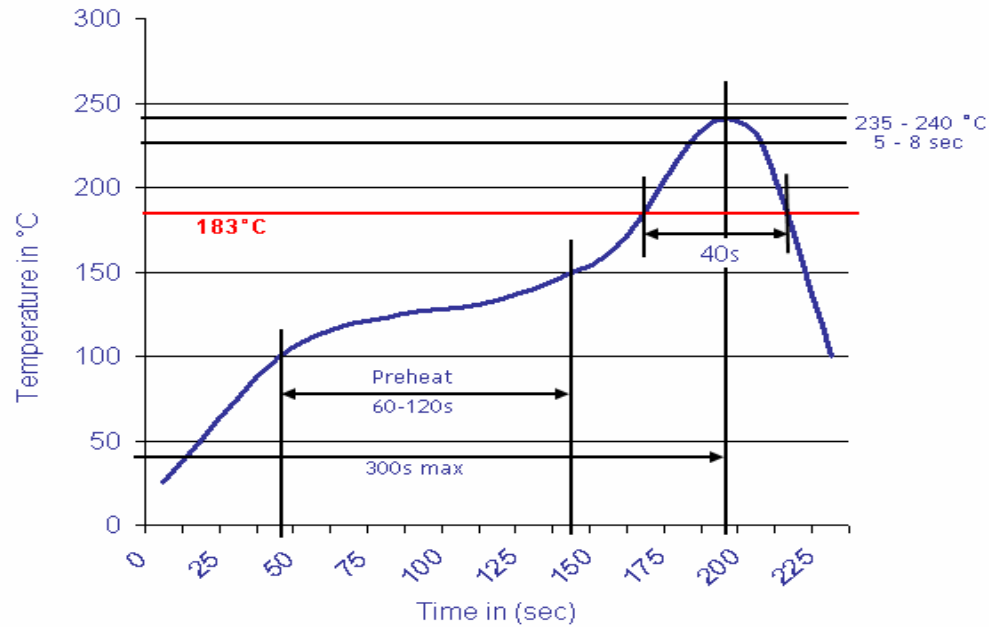
Copyright by EDCON-COMPONENTS

EDCON-COMPONENTS



Soldering - Profil

Classification Reflow Profile (JEDEC J-STD-020C)



Pluggable Terminal Block / Pitch 3.81mm	
Part No.:	A14H080
Customer:	

DRW:	Justin	CHKD	Frank	MATL:	Jordan	TOLERANCE	Lord	Date	10.02.2009
APPD:	Pete			FINISH	Mike			Sheet No.	3 from 3