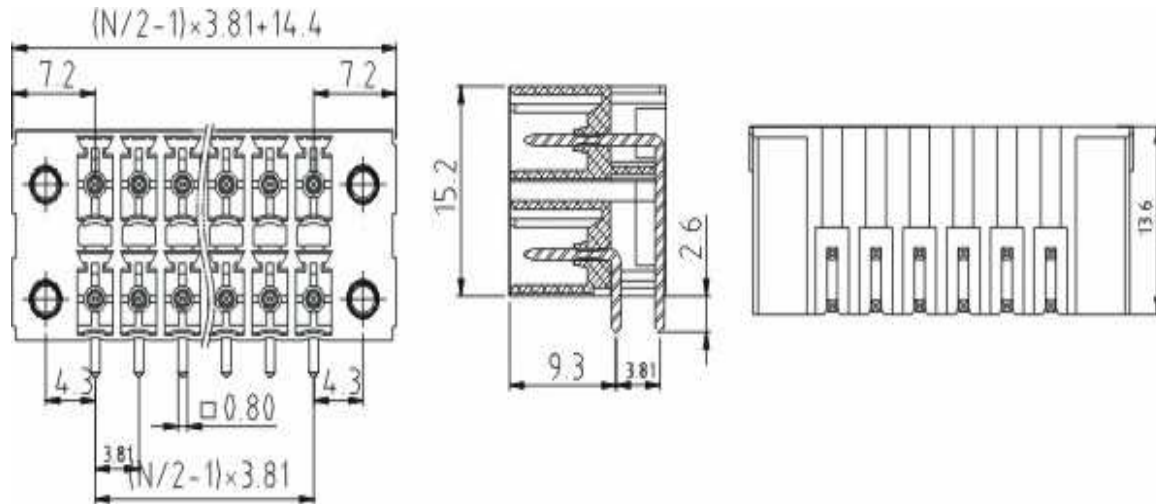


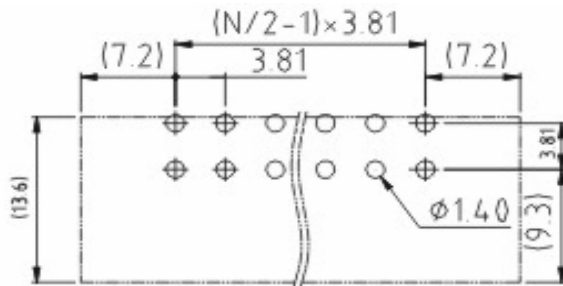
EDCON-COMPONENTS



Drawing



P.C.B. Layout



Specification

APPLYING APPROVAL

(cULus)
pending

Electrical

Standard	cULus
Rated voltage	160V
Rated current	5.5A
Withstanding voltage	1.32KV

Mechanical

Ambient temperature	-30°C ~ +105°C
Soldering temperature	250°C ± 10°C/5 sec

Dimensions

Pitch	3.81mm
Poles	2x (2P - 24P)

Material

Housing	Thermoplastic (UL94V-0)
Pin header	Brass, Tin plated



Certification



Pluggable Terminal Block /
Pitch 3.81mm

Part No.: A14H075

Customer:

DRW:	Justin	CHKD	Frank	MATL:	Jordan	TOLERANCE	Lord	Date	10.02.2009
APPD:	Pete			FINISH	Mike		Sheet No.		1 from 3

www.edcon-components.com

email: info@edcon-components.com

EDCON-COMPONENTS



Ordering Informations

Serie	-	No. of Pole	Body-Color	-	Customer Request
A14H075	-	XX	XX	-	X
		XX = total	WH - white		
		2x 02	GN - green		
		...	GR - gray		
		2x 24	TP - transparent		
			OR - orange		
			BK - black		
			BL - blue		
			RD - red		
			YW - yellow		
		PG - Phoenix Green			



Certification



Pluggable Terminal Block / Pitch 3.81 mm	
Part No.:	A14H075
Customer:	

DRW:	Justin	CHKD	Frank	MATL:	Jordan	TOLERANCE	Lord	Date	10.02.2009
APPD:	Pete			FINISH	Mike			Sheet No.	2 from 3

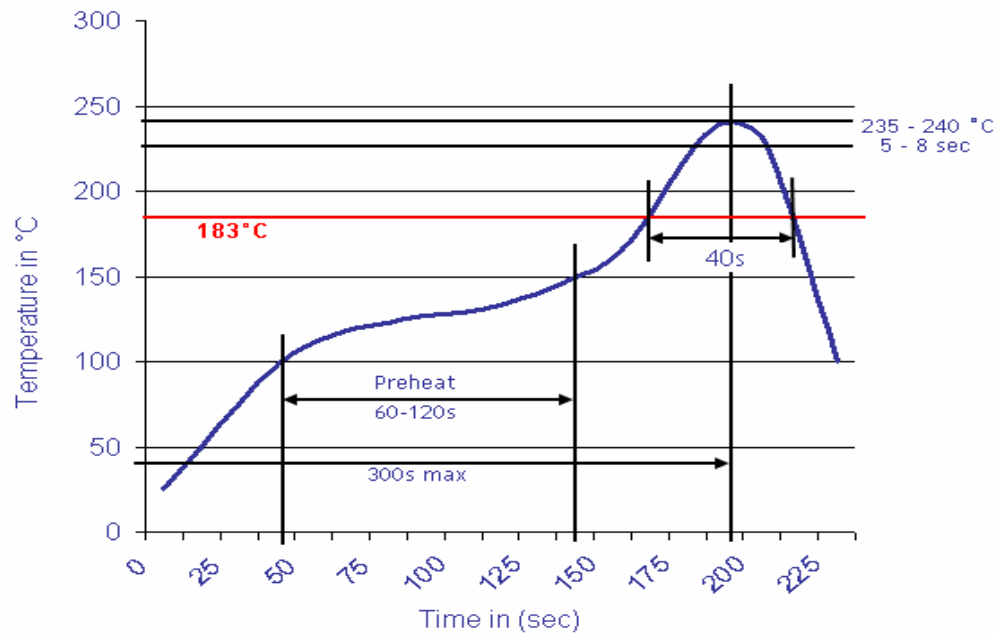
www.edcon-components.com

email: info@edcon-components.com



Soldering - Profil

Classification Reflow Profile (JEDEC J-STD-020C)



Pluggable Terminal Block / Pitch 3.81 mm	
Part No.:	A14H075
Customer:	

DRW:	Justin	CHKD	Frank	MATL:	Jordan	TOLERANCE	Lord	Date	10.02.2009
APPD:	Pete			FINISH	Mike			Sheet No.	3 from 3