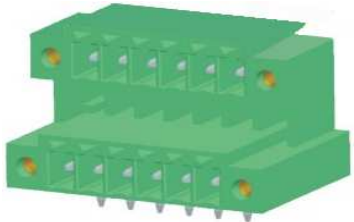
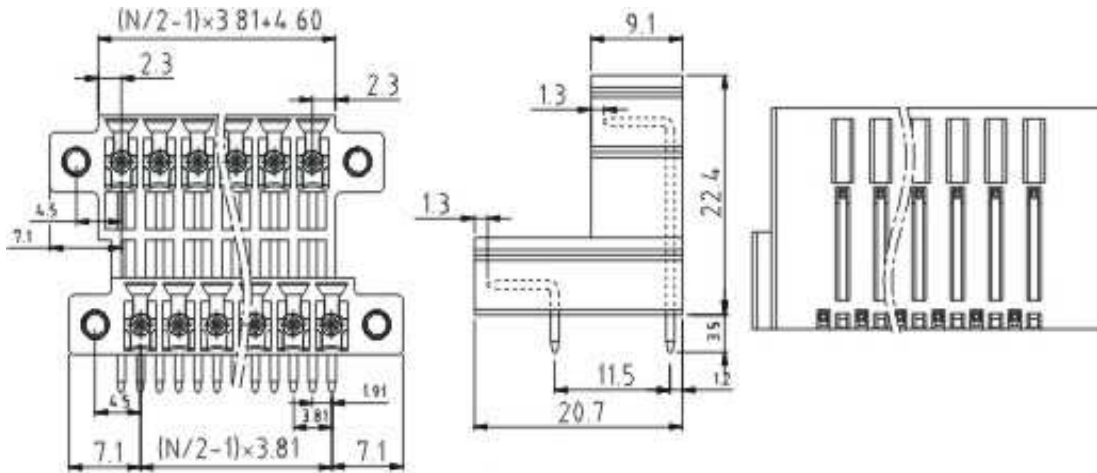


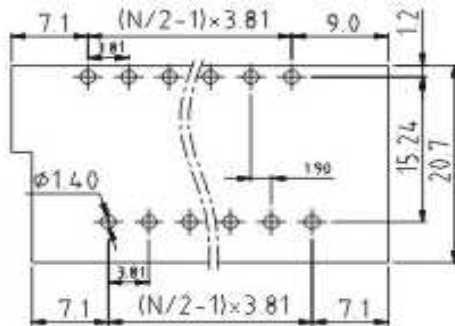
# EDCON-COMPONENTS



## Drawing



## P.C.B. Layout



## Specification

### APPLYING APPROVAL

#### Electrical

Standard  
Rated voltage  
Rated current  
Withstanding voltage

(cULus)  
pending

cULus  
300V  
10A  
1.6KV

#### Mechanical

Ambient temperature  
Soldering temperature

-40°C ~ +115°C  
250°C ± 10°C/5 sec

#### Dimensions

Pitch  
Poles

3.81mm  
2x (2P - 24P)

#### Material

Housing  
Pin header

Thermoplastic (UL94V-0)  
Brass, Tin plated



### Certification



Pluggable Terminal Block /  
Pitch 3.81mm

Part No.: A14H071

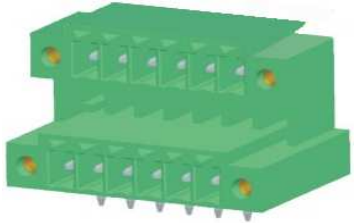
Customer:

DRW:	Justin	CHKD	Frank	MATL:	Jordan	TOLERANCE	Lord	Date	10.02.2009
APPD:	Pete			FINISH	Mike			Sheet No.	1 from 3

[www.edcon-components.com](http://www.edcon-components.com)

email: [info@edcon-components.com](mailto:info@edcon-components.com)

# EDCON-COMPONENTS



## Ordering Informations

Serie	-	No. of Pole	Body-Color	-	Customer Request
-------	---	-------------	------------	---	------------------

A14H071	-	XX	XX	-	X
		XX = total	WH - white		
		2x 02	GN - green		
		...	GR - gray		
		2x 24	TP - transparent		
			OR - orange		
			BK - black		
			BL - blue		
			RD - red		
			YW - yellow		
			PG - Phoenix Green		



Certification

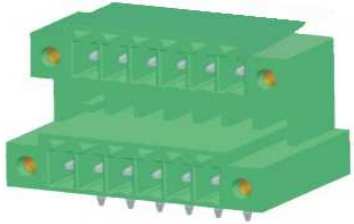


Pluggable Terminal Block / Pitch 3.81mm	
Part No.:	A14H071
Customer:	

DRW:	Justin	CHKD:	Frank	MATL:	Jordan	TOLERANCE	Lord	Date	10.02.2009
APPD:	Pete	FINISH	Mike				Sheet No.		2 from 3

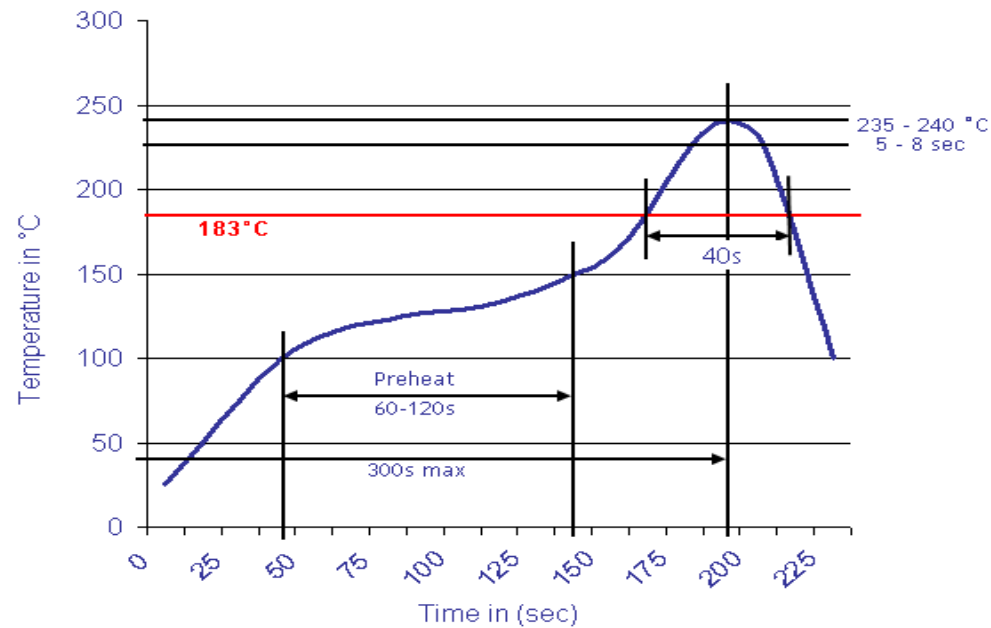
[www.edcon-components.com](http://www.edcon-components.com)

email: [info@edcon-components.com](mailto:info@edcon-components.com)



## Soldering - Profil

### Classification Reflow Profile (JEDEC J-STD-020C)



Pluggable Terminal Block /  
Pitch 3.81mm

Part No.: A14H071

Customer:

DRW:	Justin	CHKD	Frank	MATL:	Jordan	TOLERANCE	Lord	Date	10.02.2009
APPD:	Pete			FINISH	Mike			Sheet No.	3 from 3