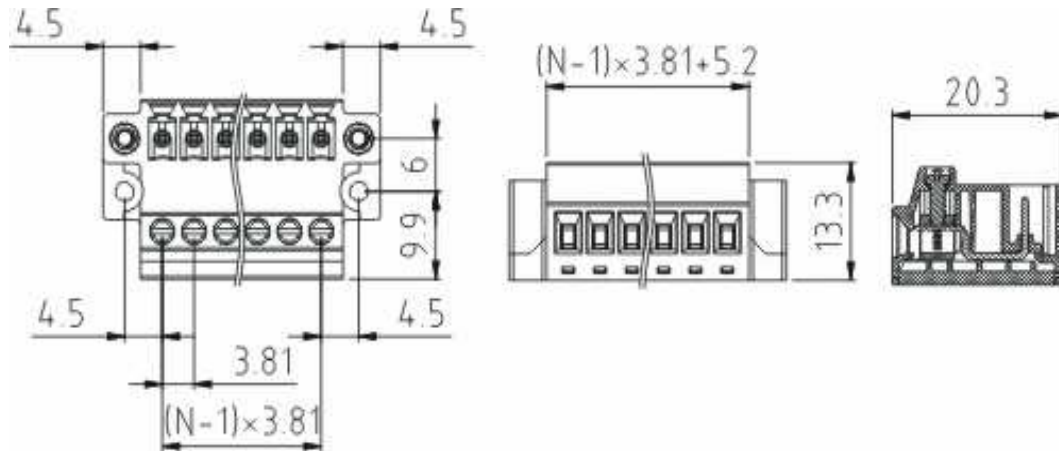


# EDCON-COMPONENTS



## Drawing



## P.C.B. Layout

## Specification

### APPROVAL

#### Electrical

Standard	cULus
Rated voltage	300V
Rated current	10A
Withstanding voltage	1.6KV
Wire range	30-14 AWG

#### Mechanical

Ambient temperature	-40°C ~ +115°C
Screw, Torque	M2, 0.25Nm (1.77Lb-In.)
Strip length	6 ~ 7mm

#### Dimensions

Pitch	3.81mm
Poles	2P - 24P

#### Material

Housing	Thermoplastic (UL94V-0)
Metal housing	Brass (CuZn)
Wire guard	PhBz (CuSn)
Terminal screw	Steel Zinc



**Certification**



Pluggable Terminal Block /	
Pitch 3.81mm	
Part No.:	A14H061
Customer:	

DRW:	Justin	CHKD	Frank	MATL:	Jordan	TOLERANCE	Lord	Date	10.02.2009
APPD:	Pete			FINISH	Mike			Sheet No.	1 from 3



[www.edcon-components.com](http://www.edcon-components.com)

email: [info@edcon-components.com](mailto:info@edcon-components.com)

# EDCON-COMPONENTS



## Ordering Informations

Serie	-	No. of Pole	Body-Color	Screw	-	Customer Request
A14H061	-	XX	XX	X	-	X
	XX = total	WH - white	A - Slotted screw			
	02	GN - green	(standard)			
	...	GR - gray	B - Cross-slotted			
	24	TP - transparent	screw			
		OR - orange				
		BK - black				
		BL - blue				
		RD - red				
		YW - yellow				
	PG - Phoenix Green					



[Certification](#)



Pluggable Terminal Block / Pitch 3.81 mm	
Part No.:	A14H061
Customer:	

DRW:	Justin	CHKD	Frank	MATL:	Jordan	TOLERANCE	Lord	Date	10.02.2009
APPD:	Pete			FINISH	Mike			Sheet No.	2 from 3

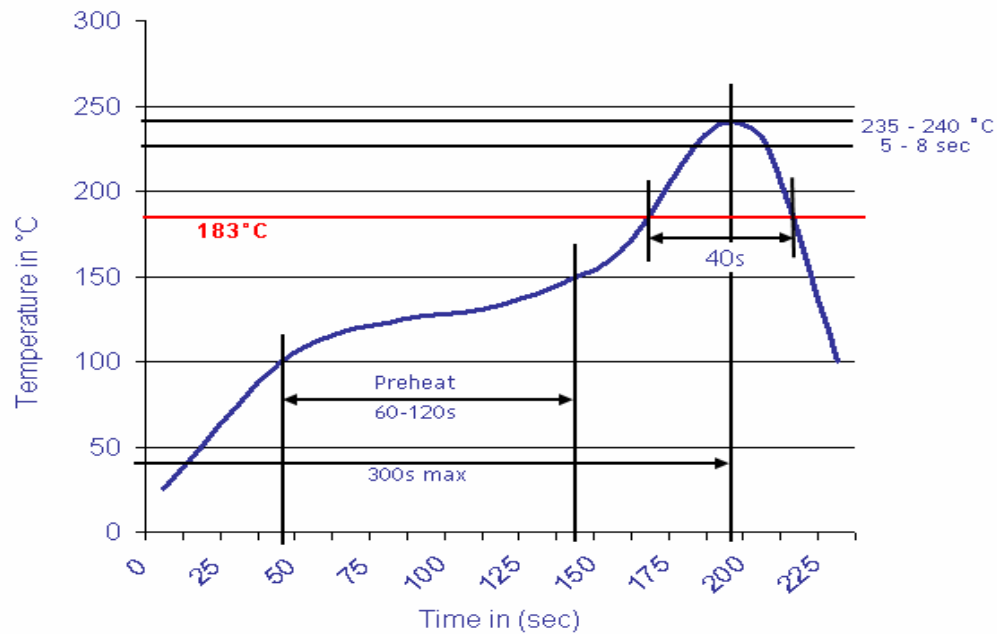
[www.edcon-components.com](http://www.edcon-components.com)

email: [info@edcon-components.com](mailto:info@edcon-components.com)



**Soldering - Profil**

Classification Reflow Profile (JEDEC J-STD-020C)



Pluggable Terminal Block / Pitch 3.81 mm	
Part No.:	A14H061
Customer:	

DRW:	Justin	CHKD	Frank	MATL:	Jordan	TOLERANCE	Lord	Date	10.02.2009
APPD:	Pete			FINISH	Mike			Sheet No.	3 from 3