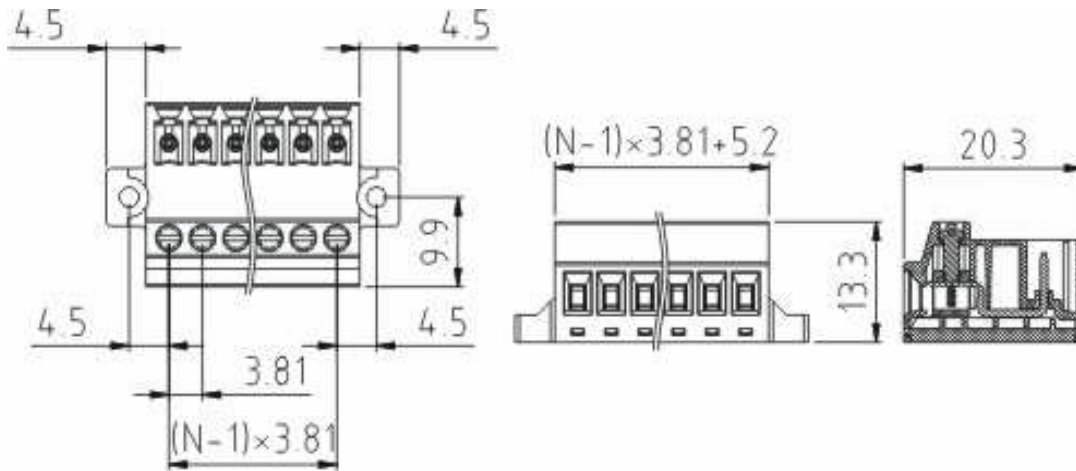


EDCON-COMPONENTS



Drawing



P.C.B. Layout

Specification

APPROVAL

Electrical

| | |
|----------------------|-----------|
| Standard | cULus |
| Rated voltage | 300V |
| Rated current | 10A |
| Withstanding voltage | 1.6KV |
| Wire range | 30-14 AWG |

Mechanical

| | |
|---------------------|-------------------------|
| Ambient temperature | -40°C ~ +115°C |
| Screw, Torque | M2, 0.25Nm (1.77Lb-In.) |
| Strip length | 6 ~ 7mm |

Dimensions

| | |
|-------|----------|
| Pitch | 3.81mm |
| Poles | 2P - 24P |

Material

| | |
|----------------|-------------------------|
| Housing | Thermoplastic (UL94V-0) |
| Metal housing | Brass (CuZn) |
| Wire guard | PhBz (CuSn) |
| Terminal screw | Steel Zinc |



Certification



| | |
|----------------------------|---------|
| Pluggable Terminal Block / | |
| Pitch 3.81mm | |
| Part No.: | A14H060 |
| Customer: | |

| | | | | | | | | | |
|-------|--------|------|-------|--------|--------|-----------|------|-----------|------------|
| DRW: | Justin | CHKD | Frank | MATL: | Jordan | TOLERANCE | Lord | Date | 10.02.2009 |
| APPD: | Pete | | | FINISH | Mike | | | Sheet No. | 1 from 3 |

www.edcon-components.com



email: info@edcon-components.com

EDCON-COMPONENTS



Ordering Informations

| Serie | - | No. of Pole | Body-Color | Screw | - | Customer Request |
|-------|---|-------------|------------|-------|---|------------------|
|-------|---|-------------|------------|-------|---|------------------|

| | | | | | | |
|----------------|---------------------------|-------------------------|--|---|---|----------|
| A14H060 | - | XX | XX | X | - | X |
| | XX = total | WH - white | A - Slotted screw (standard) B - Cross-slotted screw |  | | |
| | 02 | GN - green | | | | |
| | ... | GR - gray | |  | | |
| | 24 | TP - transparent | | | | |
| | | OR - orange | | | | |
| | | BK - black | | | | |
| | | BL - blue | | | | |
| | RD - red | | | | | |
| | YW - yellow | | | | | |
| | PG - Phoenix Green | | | | | |



[Certification](#)



Pluggable Terminal Block /
Pitch 3.81 mm

Part No.: A14H060

Customer:

| | | | | | | | | | |
|-------|--------|------|-------|--------|--------|-----------|------|-----------|------------|
| DRW: | Justin | CHKD | Frank | MATL: | Jordan | TOLERANCE | Lord | Date | 10.02.2009 |
| APPD: | Pete | | | FINISH | Mike | | | Sheet No. | 2 from 3 |

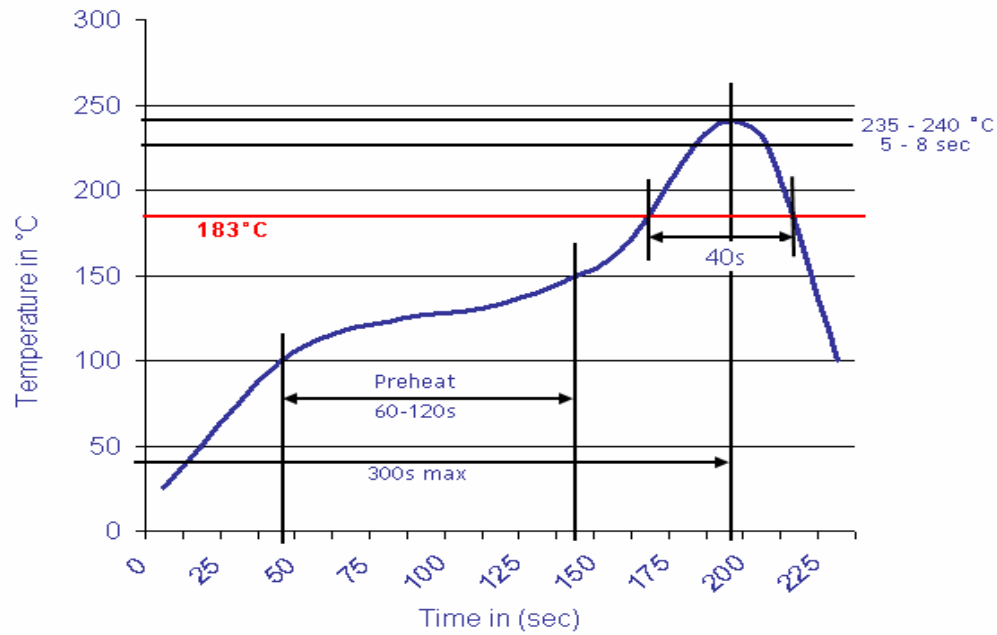
www.edcon-components.com

email: info@edcon-components.com



Soldering - Profil

Classification Reflow Profile (JEDEC J-STD-020C)



Pluggable Terminal Block /
Pitch 3.81 mm

Part No.: A14H060

| | | | | | | | | | |
|-------|--------|------|-------|--------|--------|-----------|------|-----------|------------|
| DRW: | Justin | CHKD | Frank | MATL: | Jordan | TOLERANCE | Lord | Date | 10.02.2009 |
| APPD: | Pete | | | FINISH | Mike | | | Sheet No. | 3 from 3 |

Customer: