

Data Sheet

Pluggable Terminal Block

Pitch: 3,81 mm

Serie: A14H001

Customer Information for special Item

EDCON Customer : 0

Customer Version No. : 0

EDCON-COMPONENTS



Technical Discription

Drawing (Dimension in mm)

Electrical

Standard	cULus	CSA	VDE
Rated voltage	300V	125V	300V
Rated current	10A	8A	10.5A
Withstanding voltage	1.6KV	1.6KV	2.5KV
Wire range		26-16 AWG	

Mechanical

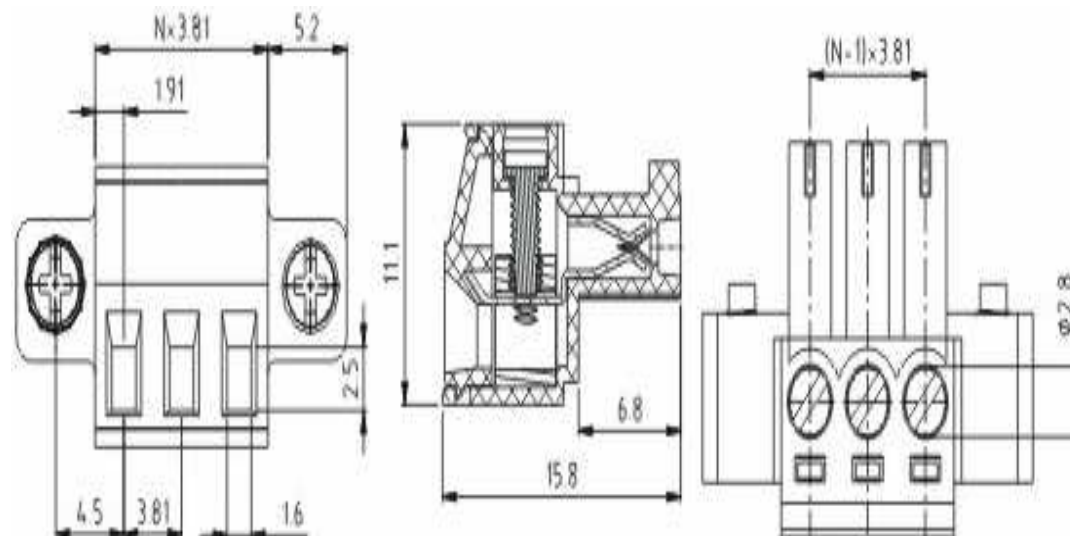
Ambient temperature	-40°C ~ +115°C
Screw, Torque	M2, 0.2Nm (1.77Lb-In.)
Strip length	6 ~ 7mm

Dimensions

Pitch	3.81mm
Poles	2P - 24P

Material

Housing	Thermoplastic (UL94V-0)
Metal housing	Brass (CuZn)
Wire guard	PhBz (CuSn)
Terminal screw	Steel Zinc



Pluggable Terminal Block

Part No.: **A14H001**

Customer:

DRW:	Jason	CHKD	Wilson	MATL:	Wilson	TOLERANCE	Mason	DATE	27.01.2014
APPD:	Schumi			FINISH	Jamy		Sheet No.	1 from 4	

EDCON-COMPONENTS



PCB Layout (Dimension in mm)

Dimensions (mm)

Pluggable Terminal Block

Part No.: **A14H001**

DRW:	Jason	CHKD	Wilson	MATL:	Wilson	TOLERANCE	Mason	DATE	27.01.2014	Customer:
APPD:	Schumi			FINISH	Jamy		Sheet No.	2 from 4		

EDCON-COMPONENTS



Ordering Informations

Serie	No. of Pos.	Body Color	Approval	Approval Code	ROHS	Packing	EDCON Cust. No.	Customer Version		
A14H001	02	GN	N	N	R	B				

Pitch:
3,81

02= Number of Pos. Standard 2 ~ 24Pos.	GY= Gray (Standard)	N= No Approval	N= NON Approval	R= ROHS Conform	B= Standard Package	xxxxxx= Customer Number	xxx= Customer Version ??(Printing)
	GN= Green	1= Approval for Material	A= UL /UR Approval Please consult EDCON for available	N= NON ROHS Conform	I= Individual Package		
		2= Approval for Terminal Block	B= VDE Approval Please consult EDCON for available				
	OR= Orange		C= TÜV Approval Please consult EDCON for available				
	BK= Black						

Pluggable Terminal Block

Part No.: **A14H001**

DRW:	Jason	CHKD	Wilson	MATL:	Wilson	TOLERANCE	Mason	DATE	27.01.2014
APPD:	Schumi			FINISH	Jamy		Sheet No.		3 from 4

Customer:



Soldering Profile Curve

Classification Reflow Profile (JEDEC J-STD-020C)



Pluggable Terminal Block

Part No.: **A14H001**

Customer:

DRW:	Jason	CHKD	Wilson	MATL:	Wilson	TOLERANCE	Mason	DATE	27.01.2014
APPD:	Schumi			FINISH	Jamy		Sheet No.	4 from 4	