

Data Sheet

Pluggable Terminal (Plug)

Pitch: 3,50 mm

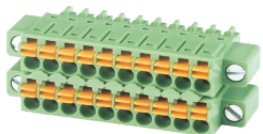
Serie: A14G149

Customer Information for special Item

EDCON Customer : xxxxxx

Customer Version No. : xx

EDCON-COMPONENTS



Technical Discription

Electrical:

Rated voltage:

Rated current:

Withstanding Voltage: AC/1min:

Operating Temperature:

Mechanical:

Strip length: mm

Wire range: Solid wire: AWG

Wire range: Stranded wire:AWG

Material:

Housing Terminal Body:

Material Screw:

Material Terminal:

Pin Dimension:

Hole Dimension:

Soldering Temperature:

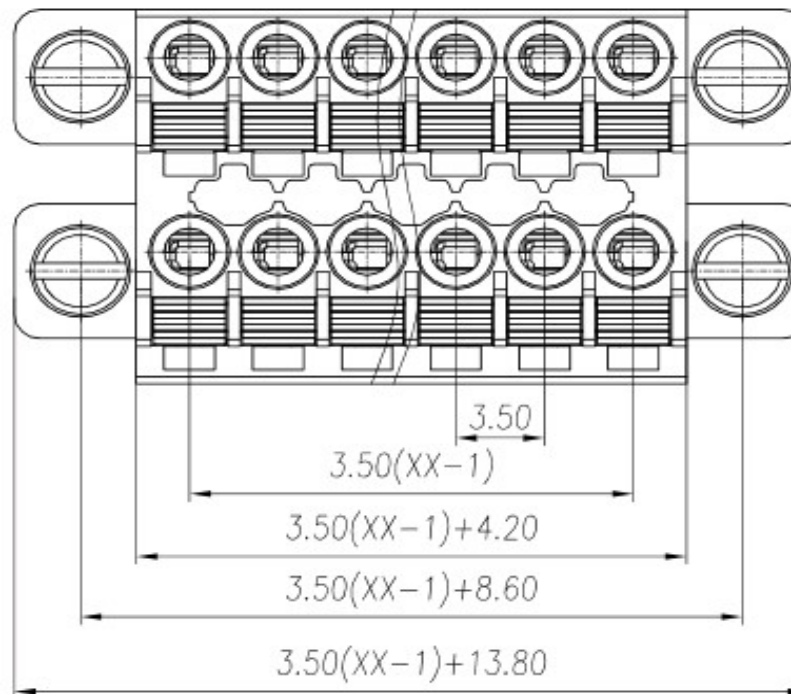
UL	IEC	VDE
300V	250V	
8A	8A	
1600V	2500V	

-40°C ~ +105°C

9~10	9~10	9~10
0,2~1,5	0,2~1,5	0,2~1,5
24~16	24~16	24~16

PA66 / UL94V-0
Stainless steel
Copper Alloy / Tin plated

Drawing (Dimension in mm)

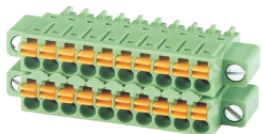


Item No.		
1		
2		
3		
4		
5		
6		
7		
8		
9		

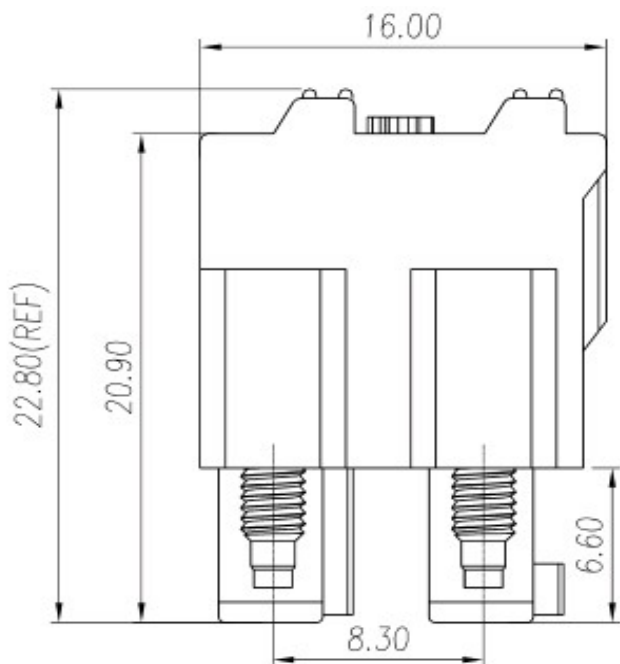
Tolerances unless otherwise specified (mm)				
x	x.x	x.xx	x.xxx	Angle
±	±	±	±	±3°
DRW:	Jason	CHKD	Wilson	MATL:
APPD:	Schumi			FINISH
				Jamy
				TOLERANCE
				Mason
				DATE
				20.07.2023
				Sheet No.
				1 from 4

Pluggable Terminal (Plug)	
Part No.:	A14G149
Customer:	

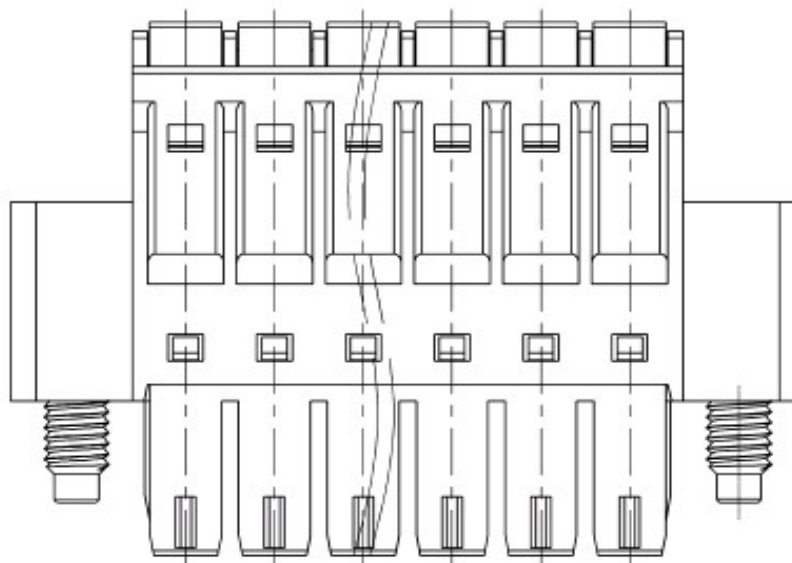
EDCON-COMPONENTS



Dimensions / Tolerance (mm)



Dimensions / Tolerance (mm)



Pluggable Terminal (Plug)

Part No.: **A14G149**

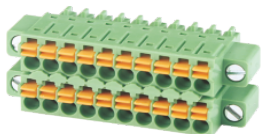
DRW:	Jason	CHKD	Wilson	MATL:	Wilson	TOLERANCE	Mason	DATE	20.07.2023
APPD:	Schumi			FINISH	Jamy		Sheet No.		2 from 4

Customer:

www.edcon-components.com

email: info@edcon-components.com

EDCON-COMPONENTS



Ordering Informations

Serie	No. of Pos.	Body Color	No Function	Approval Code	ROHS	Packing	EDCON Cust. No.	Customer Version		
A14G149	04	PG	N	N	R	B	xxxxxx	xx		

Pitch
3,50

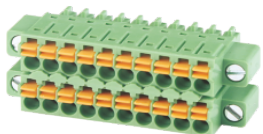
04= 2x02Pos to 48= 2x24Pos.	PG= Phoenix Green (Standard)	N= No function	N= NON Approval	R= ROHS Conform	B= Bulk-Ware	xxxxxx= Customer Number	xx= Customer Version ??(Printing)
			1= UL-Approval for Material	N= NON ROHS Conform	I= Individual Package		
			A= UL /UR Approval Please consult EDCON for available				
			B= VDE Approval Please consult EDCON for available				
			C= TÜV Approval Please consult EDCON for available				

Pluggable Terminal (Plug)

Part No.: **A14G149**

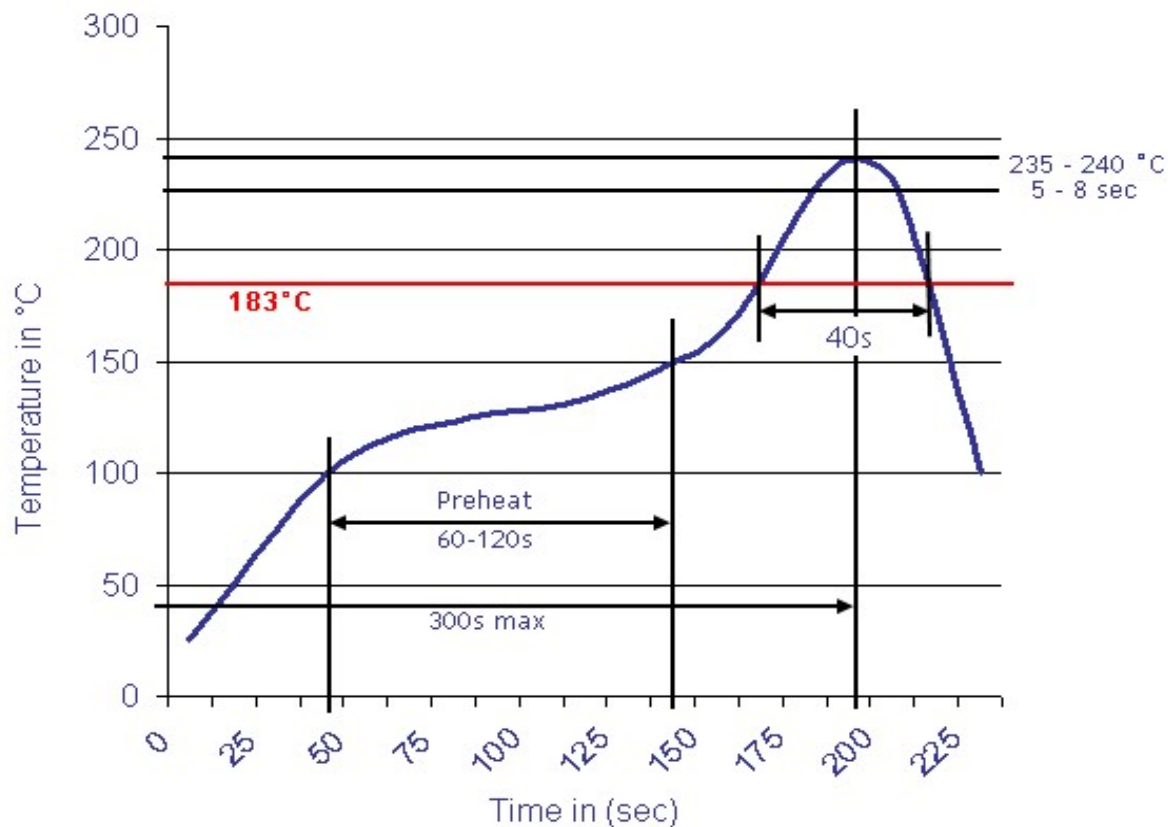
Customer:

DRW:	Jason	CHKD	Wilson	MATL:	Wilson	TOLERANCE	Mason	DATE	20.07.2023
APPD:	Schumi			FINISH	Jamy		Sheet No.		3 from 4



Soldering Profile Curve

Classification Reflow Profile (JEDEC J-STD-020C)



Pluggable Terminal (Plug)

Part No.: **A14G149**

Customer:

DRW:	Jason	CHKD	Wilson	MATL:	Wilson	TOLERANCE	Mason	DATE	20.07.2023
APPD:	Schumi			FINISH	Jamy		Sheet No.		4 from 4