

Data Sheet

Pluggable Terminal Block (Header)

Pitch: 3,50 mm

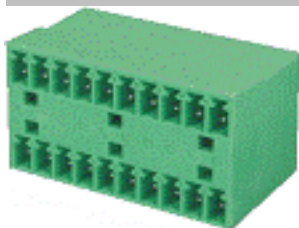
Serie: A14G068

Customer Information for special Item

EDCON Customer : 0

Customer Version No. : 0

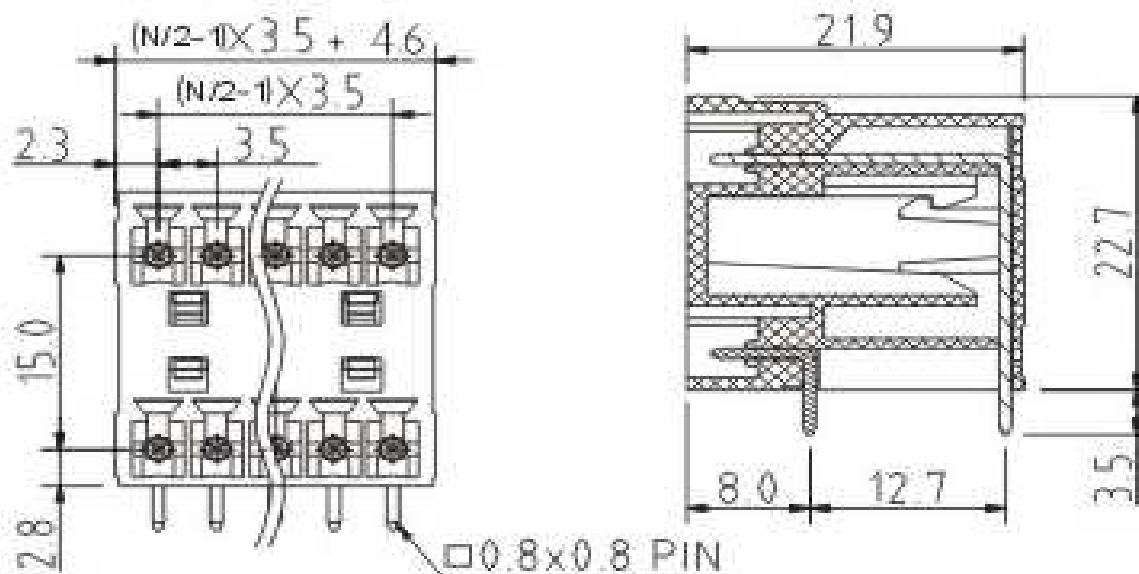
EDCON-COMPONENTS



Technical Discription

Electrical	UL	IEC
Rated Voltage	300Volt	
Rated Current	10A	
Withstanding Voltage		1,6KV
Insulation Resistance		
Mechanical		
Operating Temperature		. -40°C ~ +115°C
Soldering Temperature:		250°C +10°C / 5Sec.
Dimensions		
Pitch (mm)		3,50
Poles		4 ~ 48 Pos.
Materials		
Terminal Housing		Thermoplastic, UL94V-0
Pin Header		Brass Tin Plated

Drawing (Dimension in mm)



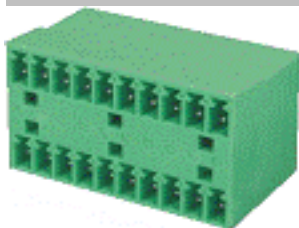
Pluggable Terminal Block (Header)

Part No.: **A14G068**

Customer:

DRW:	Jason	CHKD	Wilson	MATL:	Wilson	TOLERANCE	Mason	DATE	29.07.2016
APPD:	Schumi			FINISH	Jamy		Sheet No.	1 from 4	

EDCON-COMPONENTS



Ordering Informations

Serie	No. of Pos.	Body Color	No Function	Approval Code	ROHS	Packing	EDCON Cust. No.	Customer Version		
-------	-------------	------------	-------------	---------------	------	---------	-----------------	------------------	--	--

A14G068	04	PG	N	N	R	B				
----------------	-----------	-----------	----------	----------	----------	----------	--	--	--	--

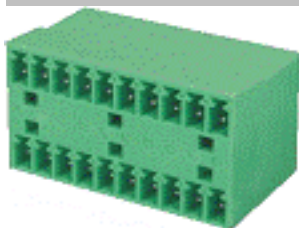
Pitch 3,50	04 = 04 ~ 48 Number of Pos.	PG = Phoenix Green (Standard)	N = No function	N = NON Approval	R = ROHS Conform	B = Bulk-Ware	xxxxxx = Customer Number	xxx = Customer Version ??(Printing)		
---------------	--	--	------------------------	----------------------------	----------------------------	----------------------	---------------------------------------	---	--	--

Other Position on Request Please consult EDCON	WH = White	A = UL /UR Approval Please consult EDCON for available	N = NON ROHS Conform	I = Individual Package
	GN = Green			
	GY = Gray	B = VDE Approval Please consult EDCON for available		
	LG = Light Gray			
	OR = Orange			
	BL = Blue	C = TÜV Approval Please consult EDCON for available		
	BK = Black			

**Pluggable Terminal Block
(Header)**

Part No.: **A14G068**

DRW:	Jason	CHKD	Wilson	MATL:	Wilson	TOLERANCE	Mason	DATE	29.07.2016
APPD:	Schumi			FINISH	Jamy		Sheet No.	3 from 4	Customer:



Soldering Profile Curve

Classification Reflow Profile (JEDEC J-STD-020C)



**Pluggable Terminal Block
(Header)**

Part No.: **A14G068**
Customer:

DRW:	Jason	CHKD	Wilson	MATL:	Wilson	TOLERANCE	Mason	DATE	29.07.2016
APPD:	Schumi			FINISH	Jamy		Sheet No.	4 from 4	