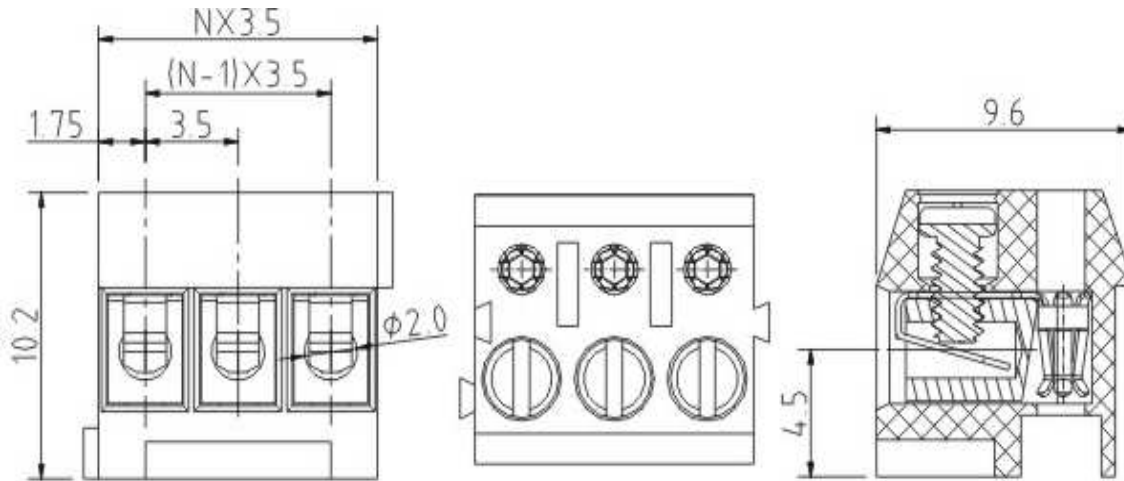


EDCON-COMPONENTS



Drawing



P.C.B. Layout

Specification

APPROVAL



Electrical

Standard
Rated voltage
Rated current
Withstanding voltage
Wire range

cULus
300V
10A
1.6KV
28-16 AWG

Mechanical

Ambient temperature
Screw, Torque
Strip length

-40°C ~ +115°C
M2, 0.2Nm (1.7Lb-In.)
5 ~ 6mm

Dimensions

Pitch
Poles

3.50mm
4P - 24P

Material

Housing
Metal housing
Wire guard
Terminal screw

Thermoplastic (UL94V-0)
Brass (CuZn)
copper alloy
Steel Zinc



Certification



Pluggable Terminal Block /
Pitch 3.50mm

Part No.: A14G059

Customer:

DRW:	Justin	CHKD	Frank	MATL:	Jordan	TOLERANCE	Lord	Date	10.02.2009
APPD:	Pete			FINISH	Mike			Sheet No.	1 from 3

www.edcon-components.com

email: info@edcon-components.com

EDCON-COMPONENTS



Ordering Informations

Serie	-	No. of Pole	Body-Color	-	Customer Request
A14G059	-	XX	XX	-	X
		XX = total	WH - white		
		04	GN - green		
		...	GR - gray		
		24	TP - transparent		
			OR - orange		
			BK - black		
			BL - blue		
			RD - red		
			YW - yellow		
			PG - Phoenix Green		



Certification

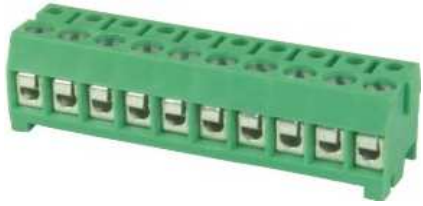


Pluggable Terminal Block / Pitch 3.50mm	
Part No.:	A14G059
Customer:	

DRW:	Justin	CHKD	Frank	MATL:	Jordan	TOLERANCE	Lord	Date	10.02.2009
APPD:	Pete			FINISH	Mike			Sheet No.	2 from 3

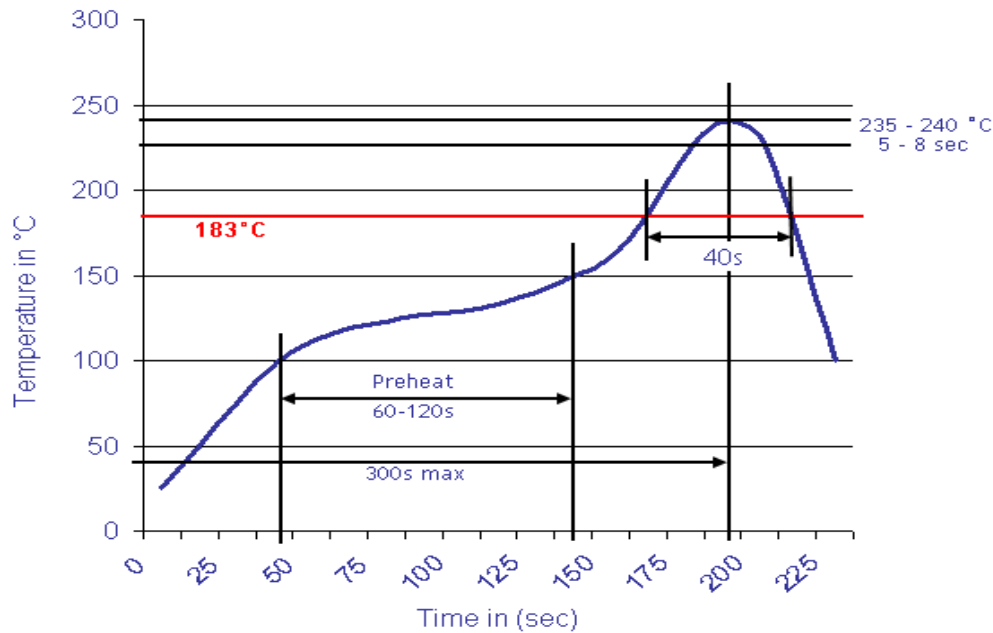
www.edcon-components.com

email: info@edcon-components.com



Soldering - Profil

Classification Reflow Profile (JEDEC J-STD-020C)



Pluggable Terminal Block / Pitch 3.50mm	
Part No.:	A14G059
Customer:	

DRW:	Justin	CHKD	Frank	MATL:	Jordan	TOLERANCE	Lord	Date	10.02.2009
APPD:	Pete			FINISH	Mike			Sheet No.	3 from 3