

# Data Sheet

## Pluggable Terminal Block (Plug)

**Pitch: 3,50 mm**

**Serie: A14G058**

### Customer Information for special Item

**EDCON Customer : 0**

**Customer Version No. : 0**

# EDCON-COMPONENTS



## Technical Discription

## Drawing (Dimension in mm)

### Electrical

Rated Voltage	300Volt
Rated Current	10A
Wire Range	1,0mm <sup>2</sup>
Wire Range AWG-Size	16 ~ 28

Withstanding Voltage	1,6KV
Insulation Resistance	5000MΩ / 1000V

### Mechanical

Operating Temperature	-40°C ~ +115°C
Wire Strip Length	6-7mm
Screw Torque	3,5
Screw Size	M2

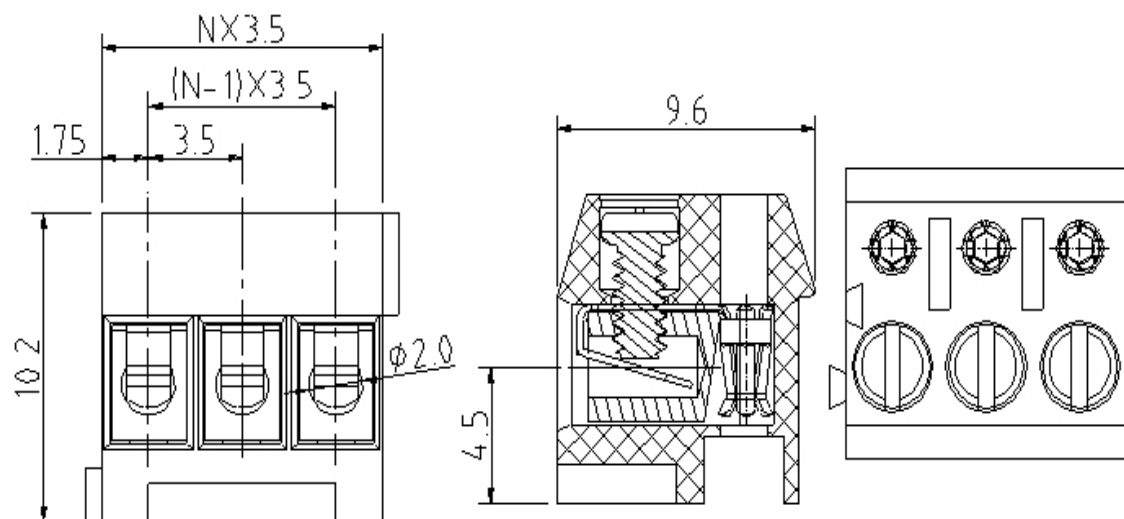
### Dimensions

Pitch (mm)	3,50
Poles	2 + 3Pos Standard ~ 24 Pos.

### Materials

Terminal Housing	Thermoplastic, UL94V-0
------------------	------------------------

Pin Header	Brass Tin Plated
Screw	Steel Ni-plated / Zinc Plated
Cage	Brass Ni Plated



### Pluggable Terminal Block (Plug)

Part No.: **A14G058**

Customer:

DRW:	Jason	CHKD	Wilson	MATL:	Wilson	TOLERANCE	Mason	DATE	17.02.2014
APPD:	Schumi			FINISH	Jamy		Sheet No.	1 from 3	

# EDCON-COMPONENTS



## Dimension Tolerance (mm)

No. of Pos.	A	Tol. A	B	Tol. B
02	7,00	± 0,10	3,50	± 0,10
03	10,50	± 0,10	7,00	± 0,10
04	14,00	± 0,10	10,50	± 0,10
05	17,50	± 0,10	14,00	± 0,10
06	21,00	± 0,10	17,50	± 0,10
07	24,50	± 0,10	21,00	± 0,10
08	28,00	± 0,10	24,50	± 0,10
09	31,50	± 0,20	28,00	± 0,20
10	35,00	± 0,20	31,50	± 0,20
11	38,50	± 0,20	35,00	± 0,20
12	42,00	± 0,20	38,50	± 0,20
13	45,50	± 0,20	42,00	± 0,20
14	49,00	± 0,20	45,50	± 0,20
15	52,50	± 0,20	49,00	± 0,20
16	56,00	± 0,20	52,50	± 0,20
17	59,50	± 0,30	56,00	± 0,30
18	63,00	± 0,30	59,50	± 0,30
19	66,50	± 0,30	63,00	± 0,30
20	70,00	± 0,30	66,50	± 0,30
21	73,50	± 0,30	70,00	± 0,30
22	77,00	± 0,30	73,50	± 0,30
23	80,50	± 0,30	77,00	± 0,30
24	84,00	± 0,30	80,50	± 0,30

### Pluggable Terminal Block (Plug)

Part No.: **A14G058**

Customer:

DRW:	Jason	CHKD	Wilson	MATL:	Wilson	TOLERANCE	Mason	DATE	17.02.2014
APPD:	Schumi			FINISH	Jamy		Sheet No.		2 from 3



# EDCON-COMPONENTS



## Ordering Informations

Serie	No. of Pos.	Body Color	Screw Type	Approval Code	ROHS	Packing	EDCON Cust. No.	Customer Version		
-------	-------------	------------	------------	---------------	------	---------	-----------------	------------------	--	--

<b>A14G058</b>	<b>02</b>	<b>PG</b>	<b>A</b>	<b>N</b>	<b>R</b>	<b>B</b>				
----------------	-----------	-----------	----------	----------	----------	----------	--	--	--	--

Pitch 3,50	<b>02</b> = Number of Pos. Standard 2+3 ~ 24Pos.	<b>PG</b> = Phoenix Green (Standard) <b>WH</b> = White <b>GN</b> = Green <b>GY</b> = Gray <b>LG</b> = Light Gray <b>OR</b> = Orange <b>BL</b> = Blue <b>BK</b> = Black	<b>A</b> = Slotted Screw Type (Standard)  <b>B</b> = Cross Slotted Screw Type 	<b>N</b> = NON Approval <b>A</b> = UL /UR Approval Please consult EDCON for available <b>B</b> = VDE Approval Please consult EDCON for available <b>C</b> = TÜV Approval Please consult EDCON for available	<b>R</b> = ROHS Conform <b>N</b> = NON ROHS Conform	<b>B</b> = Bulk-Ware <b>I</b> = Individual Package	<b>xxxxxx</b> = Customer Number	<b>xxx</b> = Customer Version ??(Printing)		
---------------	---	---	---	--	--	---	---------------------------------	--	--	--

**Pluggable Terminal Block (Plug)**

Part No.: **A14G058**

DRW:	Jason	CHKD	Wilson	MATL:	Wilson	TOLERANCE	Mason	DATE	17.02.2014
APPD:	Schumi			FINISH	Jamy		Sheet No.		3 from 3

Customer: