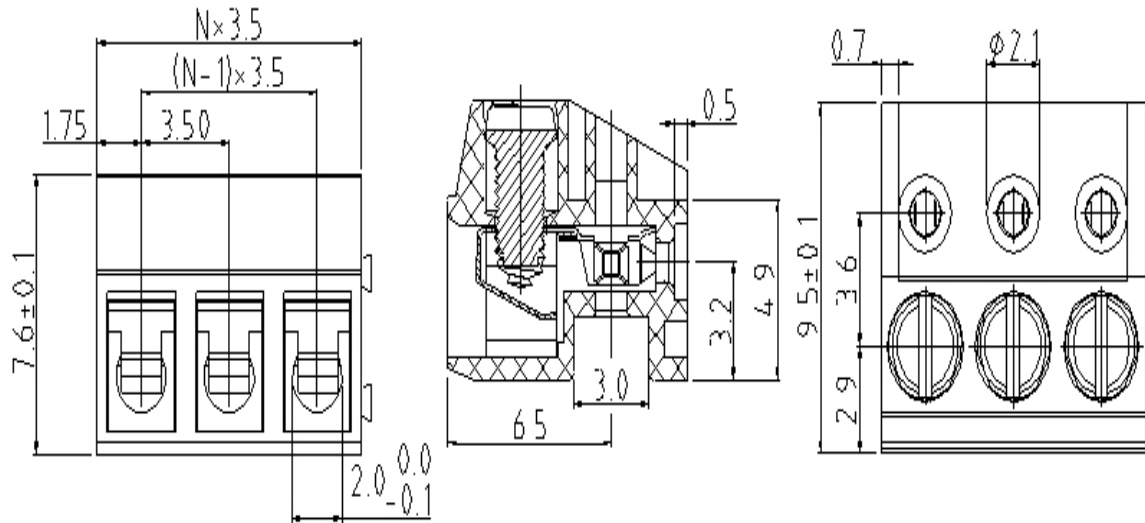


EDCON-COMPONENTS



Drawing



P.C.B. Layout

Specification

APPROVAL

Electrical

Standard
Rated voltage
Rated current
Withstanding voltage
Wire range

Mechanical

Ambient temperature
Screw, Torque
Strip length

Dimensions

Pitch
Poles

Material

Housing
Metal housing
Wire guard
Terminal screw



cULus
150V
10A
1.3KV
28-16 AWG

-40°C ~ +115°C
M2, 0.1Nm (1.1Lb-In.)
5 ~ 6mm

3.50mm
2P + 3P

Thermoplastic (UL94V-0)
Brass (CuZn)
PhBz (CuSn)
Steel Zinc



Certification



Pluggable Terminal Block /
Pitch 3.50mm

Part No.: A14G056

Customer:

DRW:	Justin	CHKD	Frank	MATL:	Jordan	TOLERANCE	Lord	Date	10.02.2009
APPD:	Pete			FINISH	Mike			Sheet No.	1 from 3

www.edcon-components.com

email: info@edcon-components.com

EDCON-COMPONENTS



Ordering Informations

Serie	-	No. of Pole	Body-Color	-	Customer Request
A14G056	-	XX	XX	-	X
		XX = total	WH - white		
		02	GN - green		
		03	GR - gray		
			TP - transparent		
			OR - orange		
			BK - black		
			BL - blue		
			RD - red		
			YW - yellow		
			PG - Phoenix Green		



Certification



Pluggable Terminal Block /
Pitch 3.50mm

Part No.: A14G056

Customer:

DRW:	Justin	CHKD	Frank	MATL:	Jordan	TOLERANCE	Lord	Date	10.02.2009
APPD:	Pete			FINISH	Mike			Sheet No.	2 from 3

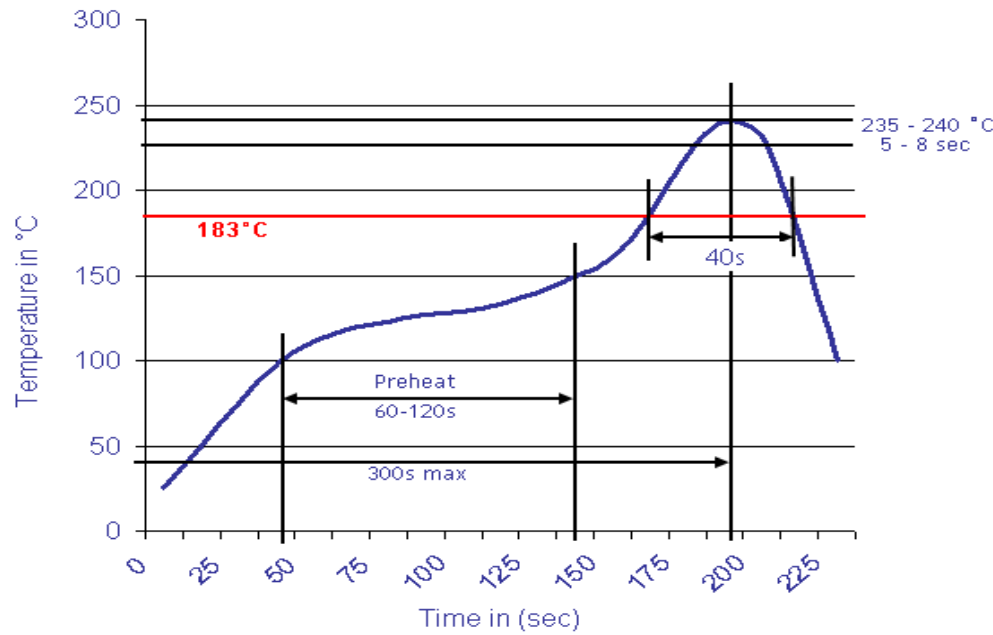
www.edcon-components.com

email: info@edcon-components.com



Soldering - Profil

Classification Reflow Profile (JEDEC J-STD-020C)



Pluggable Terminal Block / Pitch 3.50mm	
Part No.:	A14G056
Customer:	

DRW:	Justin	CHKD	Frank	MATL:	Jordan	TOLERANCE	Lord	Date	10.02.2009
APPD:	Pete			FINISH	Mike			Sheet No.	3 from 3