

# Data Sheet

## Pluggable Terminal Block Pitch 3,50mm

**Pitch: 3,50 mm**

**Serie: A14G055**

### Customer Information for special Item

**EDCON Customer : 0**

**Customer Version No. : 0**

# EDCON-COMPONENTS



## Technical Discription

## Drawing (Dimension in mm)

### Electrical

Standard	cUL	VDE
Rated voltage	AC 300V	AC300V
Rated current	10A	10A
Wire range	26-16 AWG	0.2-1.5mm <sup>2</sup>

### Mechanical

Ambient temperature	-40°C ~ +105°C
Screw, Torque	M2, 0.34Nm (3.0Lb-In.)

### Dimensions

Pitch	3.50mn
Poles	2P - 24P

### Material

Housing	PA66 (UL94V-0)
Pin header	Phosphor Bronze, Tin plated
Screw	steel, Ni-plated
Cage clamp	Brass, Ni-plated

**Pluggable Terminal Block  
Pitch 3,50mm**

Part No.: **A14G055**

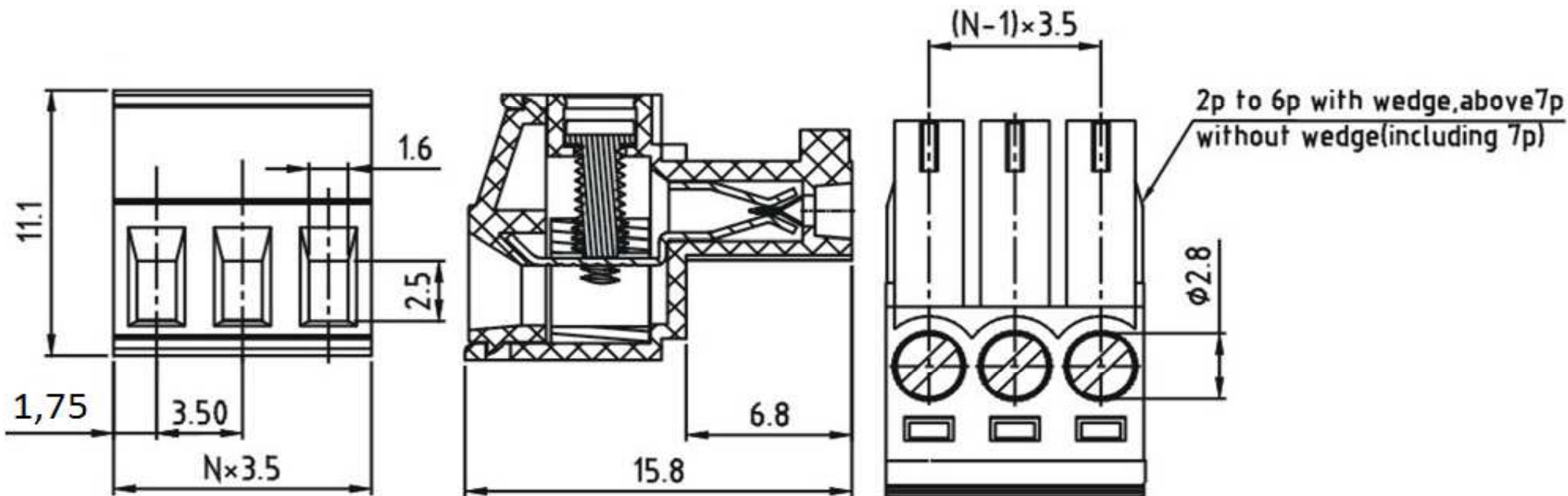
Customer:

DRW:	Jason	CHKD	Wilson	MATL:	Wilson	TOLERANCE	Mason	DATE	07.11.2021
APPD:	Schumi			FINISH	Jamy		Sheet No.	1 from 4	

# EDCON-COMPONENTS



## Dimensions (mm)



**Pluggable Terminal Block  
Pitch 3,50mm**

Part No.: **A14G055**

DRW:	Jason	CHKD	Wilson	MATL:	Wilson	TOLERANCE	Mason	DATE	07.11.2021
APPD:	Schumi			FINISH	Jamy		Sheet No.	2 from 4	Customer:

[www.edcon-components.com](http://www.edcon-components.com)

email: [info@edcon-components.com](mailto:info@edcon-components.com)

# EDCON-COMPONENTS



## Ordering Informations

Serie	No. of Pos.	Body Color	Approval	Approval Code	ROHS	Packing	EDCON Cust. No.	Customer Version		
-------	-------------	------------	----------	---------------	------	---------	-----------------	------------------	--	--

<b>A14G055</b>	<b>02</b>	<b>PG</b>	<b>N</b>	<b>N</b>	<b>R</b>	<b>B</b>				
----------------	-----------	-----------	----------	----------	----------	----------	--	--	--	--

Pitch	02= Number of Pos.	PG= Phoenix Green (Standard)	N= No Approval	N= NON Approval	R= ROHS Conform	B= Standard Package	xxxxxx= Customer Number	xxx= Customer Version ??(Printing)
-------	--------------------	------------------------------	----------------	-----------------	-----------------	---------------------	-------------------------	------------------------------------

3,50	Standard 2 ~ 24Pos.	GN= Green	1= Approval for Material	A= UL /UR Approval Please consult EDCON for available	N= NON ROHS Conform	I= Individual Package		
		OR= Orange	2= Approval for Terminal Block	B= VDE Approval Please consult EDCON for available				
		BK= Black		C= TÜV Approval Please consult EDCON for available				
		GY= Gray						

**Pluggable Terminal Block  
Pitch 3,50mm**

Part No.: **A14G055**

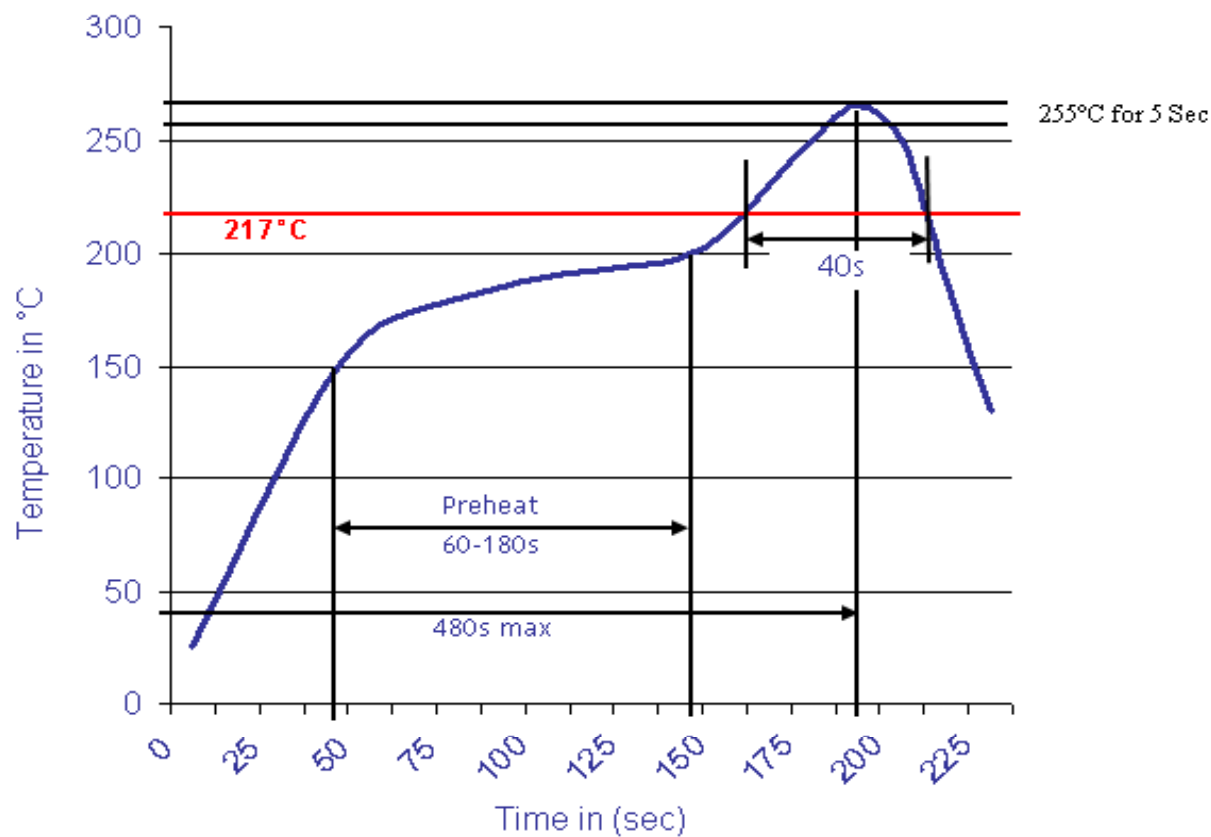
DRW:	Jason	CHKD	Wilson	MATL:	Wilson	TOLERANCE	Mason	DATE	07.11.2021
APPD:	Schumi			FINISH	Jamy		Sheet No.		3 from 4

Customer:



Soldering Profile Curve

Classification Reflow Profile (JEDEC J-STD-020C)



**Pluggable Terminal Block  
Pitch 3,50mm**

Part No.: **A14G055**

DRW:	Jason	CHKD	Wilson	MATL:	Wilson	TOLERANCE	Mason	DATE	07.11.2021
APPD:	Schumi			FINISH	Jamy		Sheet No.	4 from 4	Customer: