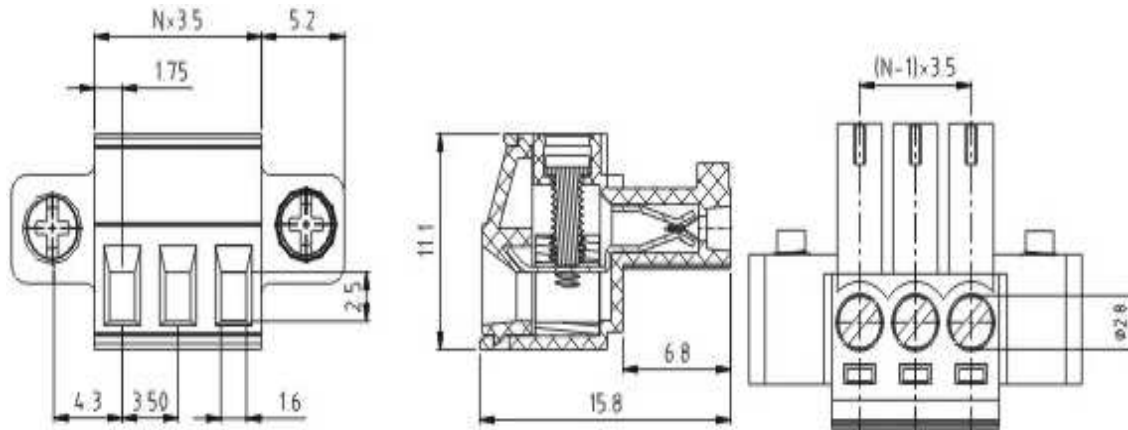


EDCON-COMPONENTS



Drawing



P.C.B. Layout

Specification

APPROVAL



Electrical

Standard
 Rated voltage
 Rated current
 Withstanding voltage
 Wire range

cULus	CSA	VDE
300V	125V	300V
10A	8A	10.5A
1.6KV	1.6KV	2.5KV
26-16 AWG		

Mechanical

Ambient temperature
 Screw, Torque
 Strip length

-40°C ~ +115°C
 M2, 0.2Nm (1.77Lb-In.)
 6 ~ 7mm

Dimensions

Pitch
 Poles

3.50mm
 2P - 24P

Material

Housing
 Metal housing
 Wire guard
 Terminal screw

Thermoplastic (UL94V-0)
 Brass (CuZn)
 PhBz (CuSn)
 Steel Zinc



Certification



Pluggable Terminal Block /
 Pitch 3.50mm

Part No.: A14G054

Customer:

DRW:	Justin	CHKD	Frank	MATL:	Jordan	TOLERANCE	Lord	Date	10.02.2009
APPD:	Pete			FINISH	Mike			Sheet No.	1 from 3

www.edcon-components.com

email: info@edcon-components.com

EDCON-COMPONENTS



Ordering Informations

Serie	-	No. of Pole	Body-Color	-	Customer Request
-------	---	-------------	------------	---	------------------

A14G054	-	XX	XX	-	X
		XX = total	WH - white		
		02	GN - green		
		...	GR - gray		
		24	TP - transparent		
			OR - orange		
			BK - black		
			BL - blue		
			RD - red		
			YW - yellow		
			PG - Phoenix Green		



Certification



Pluggable Terminal Block / Pitch 3.50mm	
Part No.:	A14G054
Customer:	

DRW:	Justin	CHKD:	Frank	MATL:	Jordan	TOLERANCE:	Lord	Date:	10.02.2009
APPD:	Pete	FINISH:	Mike				Sheet No.:		2 from 3

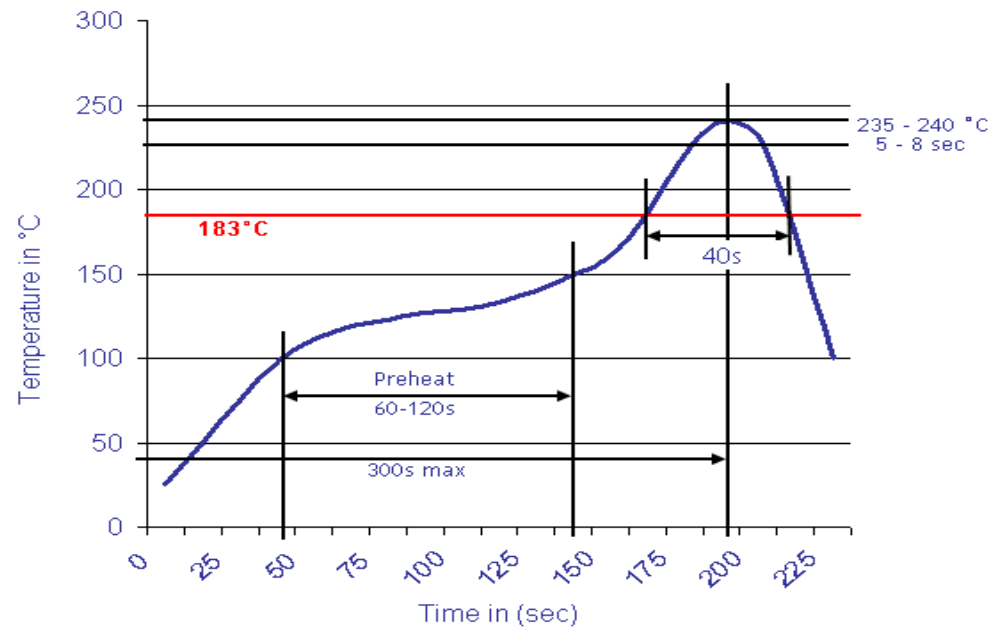
www.edcon-components.com

email: info@edcon-components.com



Soldering - Profil

Classification Reflow Profile (JEDEC J-STD-020C)



Pluggable Terminal Block /
Pitch 3.50mm

Part No.: A14G054

Customer:

DRW:	Justin	CHKD	Frank	MATL:	Jordan	TOLERANCE	Lord	Date	10.02.2009
APPD:	Pete			FINISH	Mike			Sheet No.	3 from 3