

Data Sheet

Pluggable Terminal Block (Wafer)

Pitch: 3,50 mm

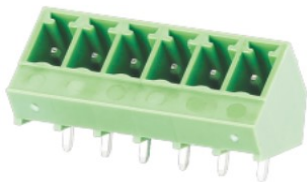
Serie: A14G053

Customer Information for special Item

EDCON Customer : xxxxxx

Customer Version No. : xx

EDCON-COMPONENTS



Technical Discription

Electrical:

Rated voltage:	300V	160V	
Rated current:	8A	8A	
Withstanding Voltage: AC/1min:	1,6KV	1,6KV	
Impulse Withstand Voltage:	2,5KV	2,5KV	

UL	IEC	VDE
300V	160V	
8A	8A	
1,6KV	1,6KV	
2,5KV	2,5KV	

Mechanical:

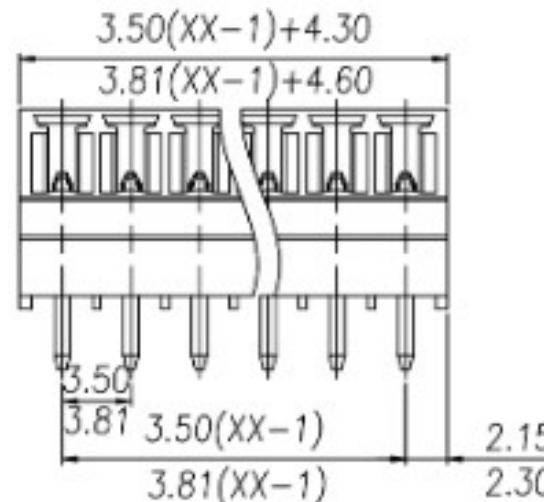
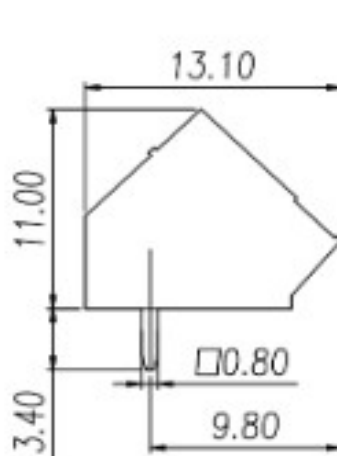
Strip length: mm			
Wire range: Solid wire: AWG			
Wire range: Stranded wire:AWG			

Material:

Housing Terminal Body: PA66 / UL94V-0

Pin Material:	Copper Alloy
Pin Surface :	Tin Plated
Temperatur Range:	-40°C ~+105°C
Pin-Dimension:	0,8x0,8mm
PCB Hole Dimension:	Ø = 1,4mm

Drawing (Dimension in mm)



Tolerances unless otherwise specified (mm)

x	x.x	x.xx	x.xxx	Angle
±	±	±	±	±3°

Pluggable Terminal Block (Wafer)

Part No.: **A14G053**

Customer:

DRW:	Jason	CHKD	Wilson	MATL:	Wilson	TOLERANCE	Mason	DATE	26.01.2024
APPD:	Schumi			FINISH	Jamy			Sheet No.	1 from 4

www.edcon-components.com

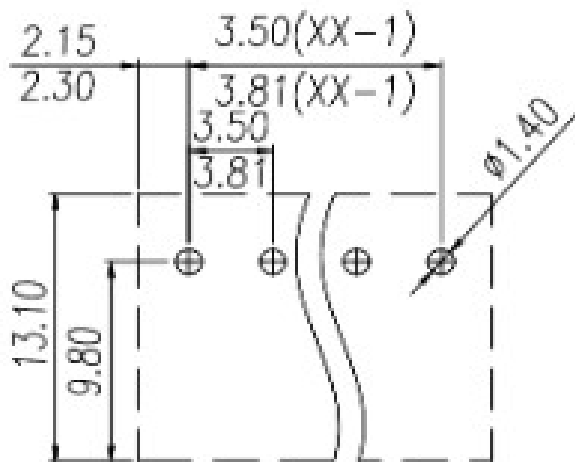
email: info@edcon-components.com

EDCON-COMPONENTS



PCB Layout

Dimensions / Tolerance (mm)



**Pluggable Terminal Block
(Wafer)**

Part No.: **A14G053**

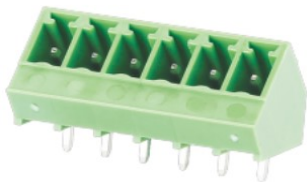
DRW:	Jason	CHKD	Wilson	MATL:	Wilson	TOLERANCE	Mason	DATE	26.01.2024
APPD:	Schumi			FINISH	Jamy		Sheet No.		2 from 4

Customer:

www.edcon-components.com

email: info@edcon-components.com

EDCON-COMPONENTS



Ordering Informations

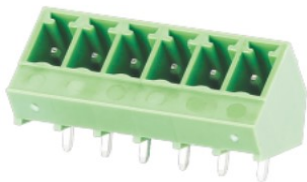
Serie	No. of Pos.	Body Color	No Function	Approval Code	ROHS	Packing	EDCON Cust. No.	Customer Version		
A14G053	02	PG	N	N	R	B	xxxxxx	xx		

Pitch
3,50

02 = Number of Pos. Standard 2 +3 Pos.	PG = Phoenix Green (Standard) WH = White GN = Green GY = Gray LG = Light Gray OR = Orange BL = Blue BK = Black	N = No function	N = NON Approval 1 = UL-Approval for Material A = UL /UR Approval Please consult EDCON for available B = VDE Approval Please consult EDCON for available C = TÜV Approval Please consult EDCON for available	R = ROHS Conform N = NON ROHS Conform	B = Bulk-Ware I = Individual Package	xxxxxx = Customer Number	xx = Customer Version ??(Printing)
--	---	------------------------	---	--	---	---------------------------------	--

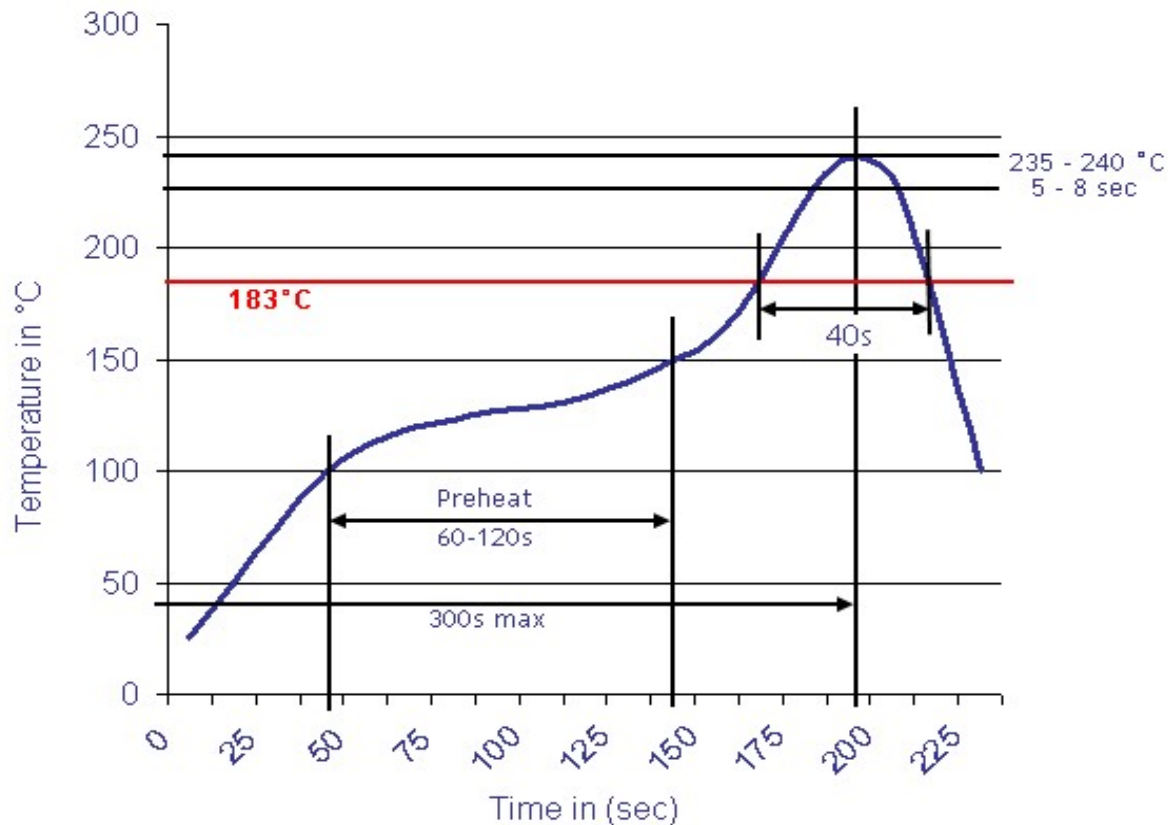
Pluggable Terminal Block (Wafer)	
Part No.:	A14G053
Customer:	

DRW:	Jason	CHKD	Wilson	MATL:	Wilson	TOLERANCE	Mason	DATE	26.01.2024
APPD:	Schumi			FINISH	Jamy		Sheet No.		3 from 4



Soldering Profile Curve

Classification Reflow Profile (JEDEC J-STD-020C)



**Pluggable Terminal Block
(Wafer)**

Part No.: **A14G053**

Customer:

DRW:	Jason	CHKD	Wilson	MATL:	Wilson	TOLERANCE	Mason	DATE	26.01.2024
APPD:	Schumi			FINISH	Jamy		Sheet No.		4 from 4