

Data Sheet

Screwless Terminal Block

Pitch: 3,50 mm

Serie: A14G049

Customer Information for special Item

EDCON Customer : 0

Customer Version No. : 0

EDCON-COMPONENTS



Technical Discription

Drawing (Dimension in mm)

Electrical

Rated voltage 300V
Rated current 8A

Mechanical

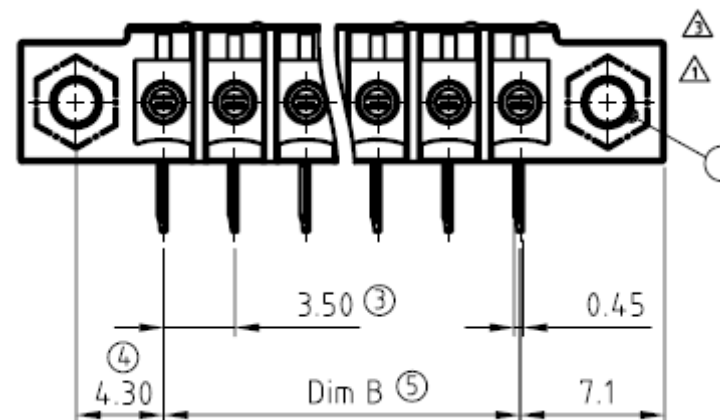
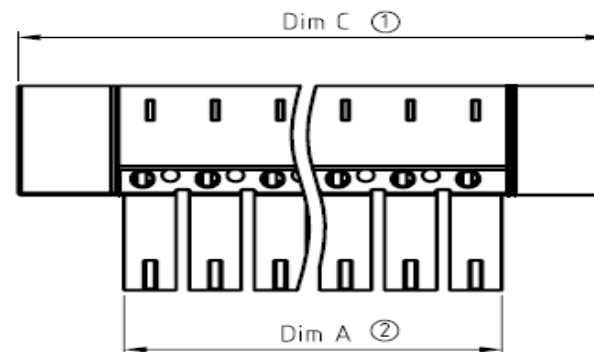
Withstanding voltage 1,6kv
Temperature range -40°C ~ 115°C

Dimensions

Pitch 3,5mm
Poles 2P - 24P

Material

Housing Thermoplastic UL94V-0
Pin header PhBz Tin Plated



Screwless Terminal Block

Part No.: **A14G049**

Customer:

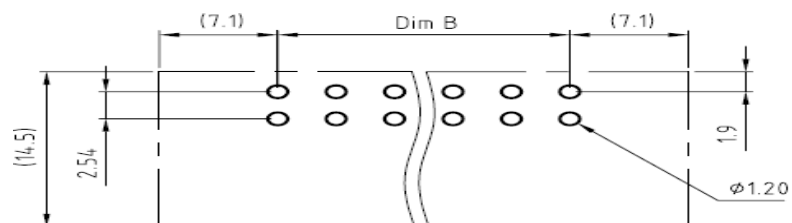
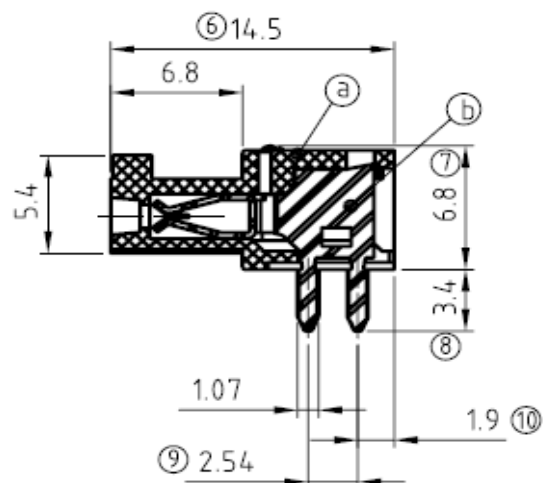
DRW:	Jason	CHKD	Wilson	MATL:	Wilson	TOLERANCE	Mason	DATE	17.02.2014
APPD:	Schumi			FINISH	Jamy		Sheet No.	1 from 4	

EDCON-COMPONENTS



Drawing (Dimension in mm)

Dimensions (mm)



P.C.B. LAYOUT

No. of Pos.	A	Tol. P	B	Tol. P
02	6,30	± 0,30	3,50	± 0,30
03	9,80	± 0,30	7,00	± 0,30
04	13,30	± 0,30	10,50	± 0,30
05	16,80	± 0,30	14,00	± 0,30
06	20,30	± 0,30	17,50	± 0,30
07	23,80	± 0,30	21,00	± 0,30
08	27,30	± 0,30	24,50	± 0,30
09	30,80	± 0,30	28,00	± 0,30
10	34,30	± 0,30	31,50	± 0,30
11	37,80	± 0,30	35,00	± 0,30
12	41,30	± 0,30	38,50	± 0,30
13	44,80	± 0,30	42,00	± 0,30
14	48,30	± 0,30	45,50	± 0,30
15	51,80	± 0,30	49,00	± 0,30
16	55,30	± 0,30	52,50	± 0,30
17	58,80	± 0,30	56,00	± 0,30
18	62,30	± 0,30	59,50	± 0,30
19	65,80	± 0,30	63,00	± 0,30
20	69,30	± 0,30	66,50	± 0,30
21	72,80	± 0,30	70,00	± 0,30
22	76,30	± 0,30	73,50	± 0,30
23	79,80	± 0,30	77,00	± 0,30
24	83,30	± 0,30	80,50	± 0,30

Screwless Terminal Block

Part No.: **A14G049**

Customer:

DRW:	Jason	CHKD	Wilson	MATL:	Wilson	TOLERANCE	Mason	DATE	17.02.2014
APPD:	Schumi			FINISH	Jamy		Sheet No.		2 from 4

EDCON-COMPONENTS



Ordering Informations

Serie	No. of Pos.	Body Color	Approval	Approval Code	ROHS	Packing	EDCON Cust. No.	Customer Version		
-------	-------------	------------	----------	---------------	------	---------	-----------------	------------------	--	--

A14G049	02	GN	N	N	R	B				
----------------	-----------	-----------	----------	----------	----------	----------	--	--	--	--

Pitch 3,50	02 = Number of Pos. Standard 2 ~ 24Pos.	GY = Gray (Standard) GN = Green OR = Orange BK = Black	N = No Approval 1 = Approval for Material 2 = Approval for Terminal Block	N = NON Approval A = UL /UR Approval Please consult EDCON for available B = VDE Approval Please consult EDCON for available C = TÜV Approval Please consult EDCON for available	R = ROHS Conform N = NON ROHS Conform	B = Standard Package I = Individual Package	xxxxxx = Customer Number	xxx = Customer Version ??(Printing)		
---------------	---	---	--	--	--	--	---------------------------------	--	--	--

Screwless Terminal Block

Part No.: **A14G049**

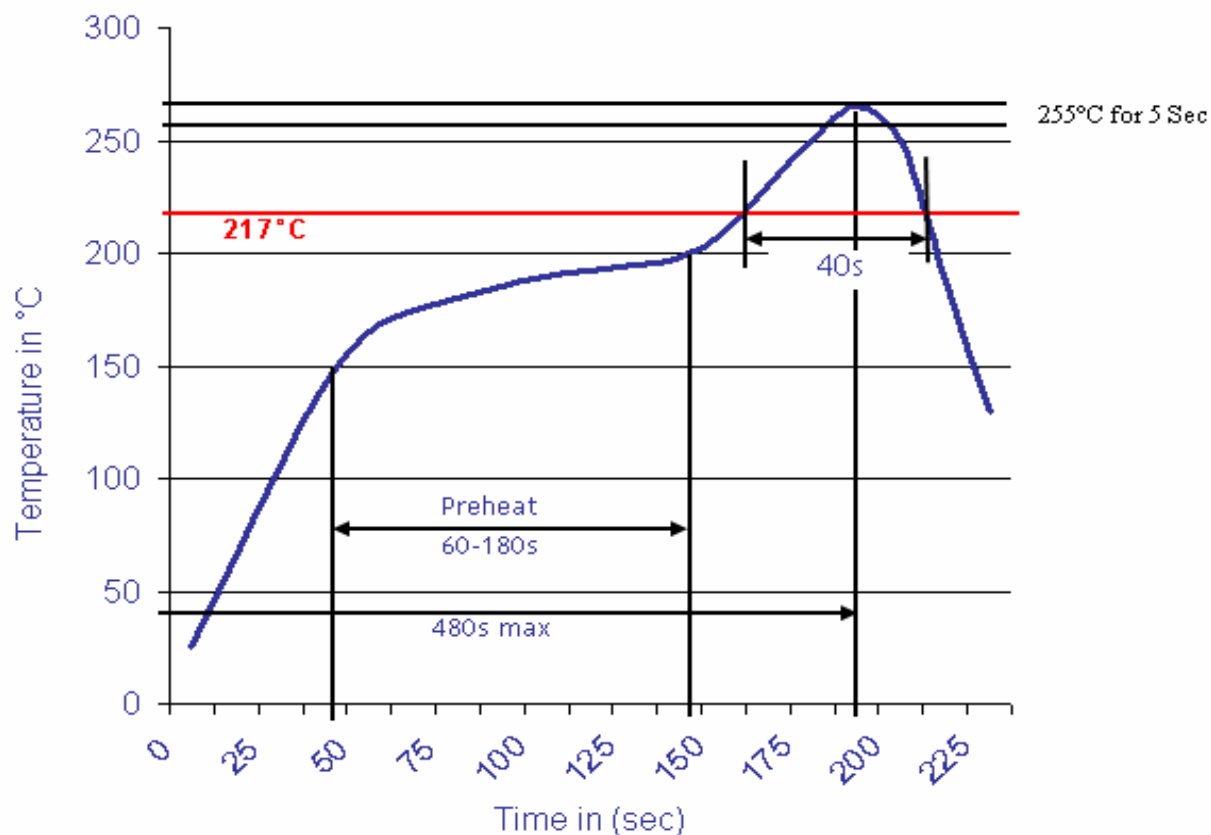
DRW:	Jason	CHKD	Wilson	MATL:	Wilson	TOLERANCE	Mason	DATE	17.02.2014
APPD:	Schumi			FINISH	Jamy			Sheet No.	3 from 4

Customer:



Soldering Profile Curve

Classification Reflow Profile (JEDEC J-STD-020C)



Screwless Terminal Block

Part No.: **A14G049**

Customer:

DRW:	Jason	CHKD	Wilson	MATL:	Wilson	TOLERANCE	Mason	DATE	17.02.2014
APPD:	Schumi			FINISH	Jamy		Sheet No.	4 from 4	

