

# Data Sheet

## Screwless Terminal Block

**Pitch: 3,50 mm**

**Serie: A14G046**

### Customer Information for special Item

**EDCON Customer : 0**

**Customer Version No. : 0**

# EDCON-COMPONENTS



## Technical Discription

## Drawing (Dimension in mm)

### Electrical

Rated voltage 300V  
Rated current 8A

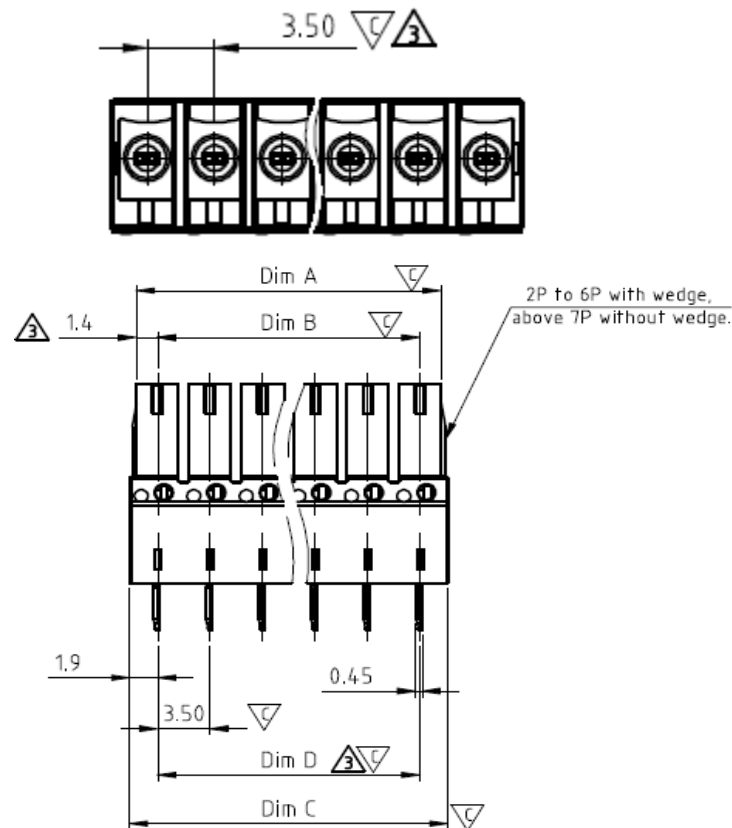
Withstanding voltage 1,6kv  
**Mechanical**  
Temperature range -40°C ~ 115°C

### Dimensions

Pitch 3,5mm  
Poles 2P - 24P

### Material

Housing Thermoplastic UL94V-0  
Pin header PhBz Tin Plated



### Screwless Terminal Block

Part No.: **A14G046**

Customer:

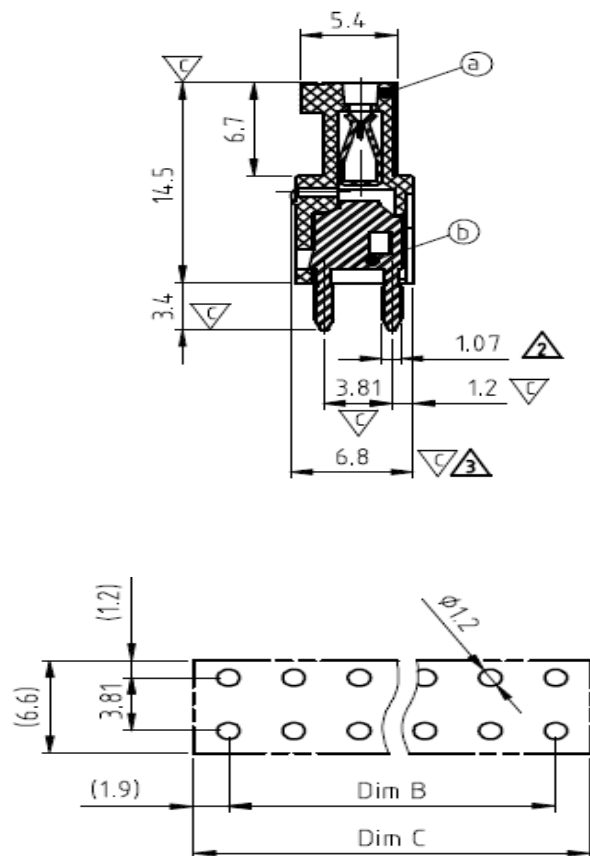
DRW:	Jason	CHKD	Wilson	MATL:	Wilson	TOLERANCE	Mason	DATE	17.02.2014
APPD:	Schumi			FINISH	Jamy		Sheet No.	1 from 4	

# EDCON-COMPONENTS



Drawing (Dimension in mm)

Dimensions (mm)



P.C.B. LAYOUT

No. of Pos.	A	Tol. P	B	Tol. P
02	6,30	± 0,30	3,50	± 0,30
03	9,80	± 0,30	7,00	± 0,30
04	13,30	± 0,30	10,50	± 0,30
05	16,80	± 0,30	14,00	± 0,30
06	20,30	± 0,30	17,50	± 0,30
07	23,80	± 0,30	21,00	± 0,30
08	27,30	± 0,30	24,50	± 0,30
09	30,80	± 0,30	28,00	± 0,30
10	34,30	± 0,30	31,50	± 0,30
11	37,80	± 0,30	35,00	± 0,30
12	41,30	± 0,30	38,50	± 0,30
13	44,80	± 0,30	42,00	± 0,30
14	48,30	± 0,30	45,50	± 0,30
15	51,80	± 0,30	49,00	± 0,30
16	55,30	± 0,30	52,50	± 0,30
17	58,80	± 0,30	56,00	± 0,30
18	62,30	± 0,30	59,50	± 0,30
19	65,80	± 0,30	63,00	± 0,30
20	69,30	± 0,30	66,50	± 0,30
21	72,80	± 0,30	70,00	± 0,30
22	76,30	± 0,30	73,50	± 0,30
23	79,80	± 0,30	77,00	± 0,30
24	83,30	± 0,30	80,50	± 0,30

## Screwless Terminal Block

Part No.: **A14G046**

Customer:

DRW:	Jason	CHKD	Wilson	MATL:	Wilson	TOLERANCE	Mason	DATE	17.02.2014
APPD:	Schumi			FINISH	Jamy		Sheet No.	2 from 4	

# EDCON-COMPONENTS



## Ordering Informations

Serie	No. of Pos.	Body Color	Approval	Approval Code	ROHS	Packing	EDCON Cust. No.	Customer Version		
-------	-------------	------------	----------	---------------	------	---------	-----------------	------------------	--	--

<b>A14G046</b>	<b>02</b>	<b>GN</b>	<b>N</b>	<b>N</b>	<b>R</b>	<b>B</b>				
----------------	-----------	-----------	----------	----------	----------	----------	--	--	--	--

Pitch 3,50	<b>02</b> = Number of Pos. Standard 2 ~ 24Pos.	<b>GY</b> = Gray (Standard)  <b>GN</b> = Green  <b>OR</b> = Orange  <b>BK</b> = Black	<b>N</b> = No Approval  <b>1</b> = Approval for Material  <b>2</b> = Approval for Terminal Block	<b>N</b> = NON Approval  <b>A</b> = UL /UR Approval Please consult EDCON for available  <b>B</b> = VDE Approval Please consult EDCON for available  <b>C</b> = TÜV Approval Please consult EDCON for available	<b>R</b> = ROHS Conform  <b>N</b> = NON ROHS Conform	<b>B</b> = Standard Package  <b>I</b> = Individual Package	<b>xxxxxx</b> = Customer Number	<b>xxx</b> = Customer Version ??(Printing)		
---------------	---	---	--	--	--	--	---------------------------------	--	--	--

**Screwless Terminal Block**

Part No.: **A14G046**

DRW:	Jason	CHKD	Wilson	MATL:	Wilson	TOLERANCE	Mason	DATE	17.02.2014
APPD:	Schumi			FINISH	Jamy		Sheet No.		3 from 4

Customer:



Soldering Profile Curve

Classification Reflow Profile (JEDEC J-STD-020C)



**Screwless Terminal Block**

Part No.: **A14G046**

Customer:

DRW:	Jason	CHKD	Wilson	MATL:	Wilson	TOLERANCE	Mason	DATE	17.02.2014
APPD:	Schumi			FINISH	Jamy		Sheet No.	4 from 4	



