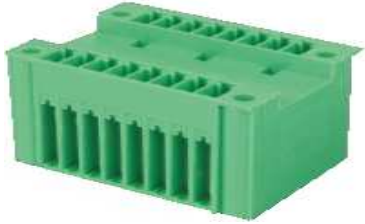
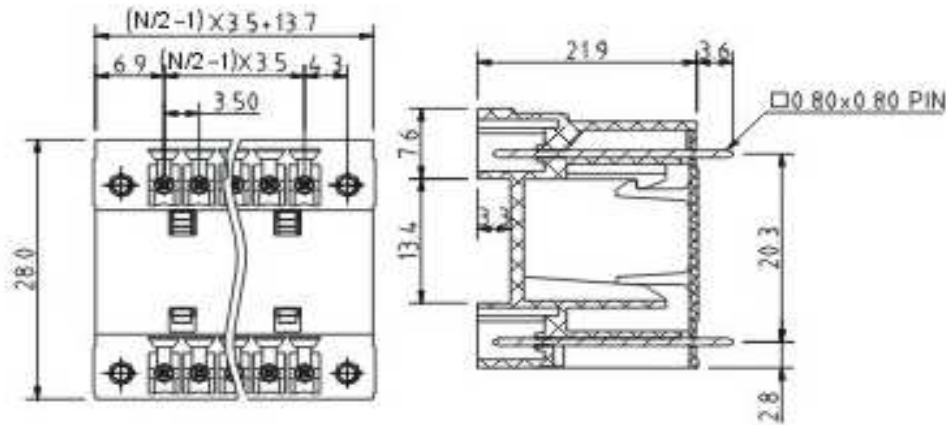


# EDCON-COMPONENTS



## Drawing



## P.C.B. Layout



## Specification

### APPROVAL



#### Electrical

Standard  
Rated voltage  
Rated current  
Withstanding voltage

cULus  
cULus  
300V  
10A  
1.6KV

#### Mechanical

Ambient temperature  
Soldering temperature

-40°C ~ +115°C  
250°C ± 10°C/5 sec

#### Dimensions

Pitch  
Poles

3.50mm  
2x (2P - 24P)

#### Material

Housing  
Solid pin

Thermoplastic (UL94V-0)  
Brass, Tin plated



### Certification



Pluggable Terminal Block /  
Pitch 3.50mm

Part No.: A14G044

Customer:

|       |        |      |       |        |        |           |      |           |            |
|-------|--------|------|-------|--------|--------|-----------|------|-----------|------------|
| DRW:  | Justin | CHKD | Frank | MATL:  | Jordan | TOLERANCE | Lord | Date      | 10.02.2009 |
| APPD: | Pete   |      |       | FINISH | Mike   |           |      | Sheet No. | 1 from 3   |

[www.edcon-components.com](http://www.edcon-components.com)

email: [info@edcon-components.com](mailto:info@edcon-components.com)

# EDCON-COMPONENTS



## Ordering Informations

| Serie          | - | No. of Pole | Body-Color                | - | Customer Request |
|----------------|---|-------------|---------------------------|---|------------------|
| <b>A14G044</b> | - | <b>XX</b>   | <b>XX</b>                 | - | <b>X</b>         |
|                |   | XX = total  | <b>WH</b> - white         |   |                  |
|                |   | 2x 02       | <b>GN</b> - green         |   |                  |
|                |   | ...         | <b>GR</b> - gray          |   |                  |
|                |   | 2x 24       | <b>TP</b> - transparent   |   |                  |
|                |   |             | <b>OR</b> - orange        |   |                  |
|                |   |             | <b>BK</b> - black         |   |                  |
|                |   |             | <b>BL</b> - blue          |   |                  |
|                |   |             | <b>RD</b> - red           |   |                  |
|                |   |             | <b>YW</b> - yellow        |   |                  |
|                |   |             | <b>PG</b> - Phoenix Green |   |                  |



Certification



|  |         |
|--|---------|
| Pluggable Terminal Block /<br>Pitch 3.50mm |         |
| Part No.:                                  | A14G044 |
| Customer:                                  |         |

|       |        |      |       |        |        |           |      |           |            |
|-------|--------|------|-------|--------|--------|-----------|------|-----------|------------|
| DRW:  | Justin | CHKD | Frank | MATL:  | Jordan | TOLERANCE | Lord | Date      | 10.02.2009 |
| APPD: | Pete   |      |       | FINISH | Mike   |           |      | Sheet No. | 2 from 3   |

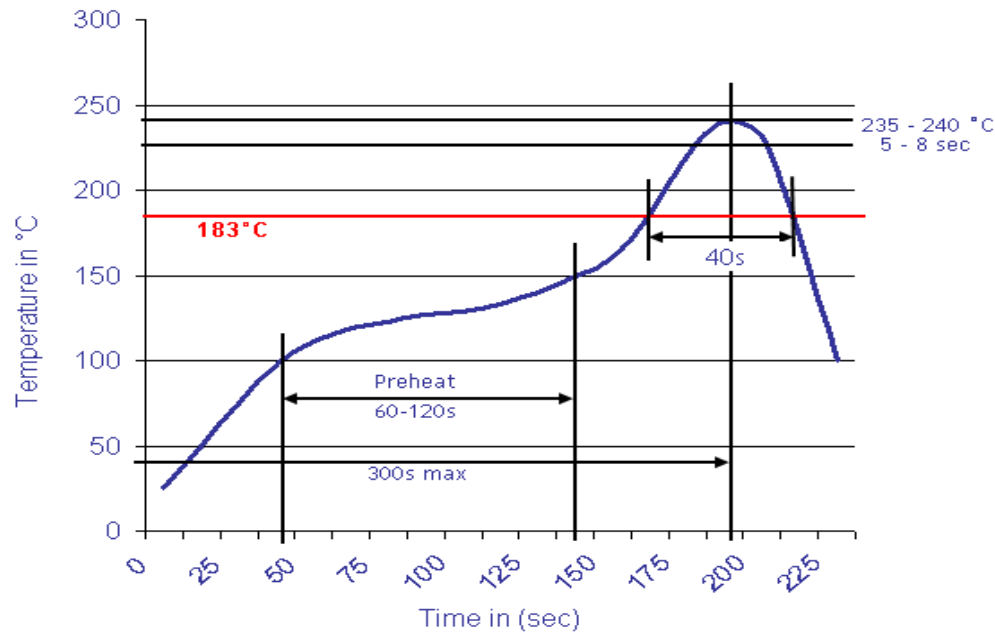
[www.edcon-components.com](http://www.edcon-components.com)

email: [info@edcon-components.com](mailto:info@edcon-components.com)



## Soldering - Profil

### Classification Reflow Profile (JEDEC J-STD-020C)



Pluggable Terminal Block /  
Pitch 3.50mm

|       |        |      |       |        |        |           |      |           |            |           |         |
|-------|--------|------|-------|--------|--------|-----------|------|-----------|------------|-----------|---------|
| DRW:  | Justin | CHKD | Frank | MATL:  | Jordan | TOLERANCE | Lord | Date      | 10.02.2009 | Part No.: | A14G044 |
| APPD: | Pete   |      |       | FINISH | Mike   |           |      | Sheet No. | 3 from 3   | Customer: |         |