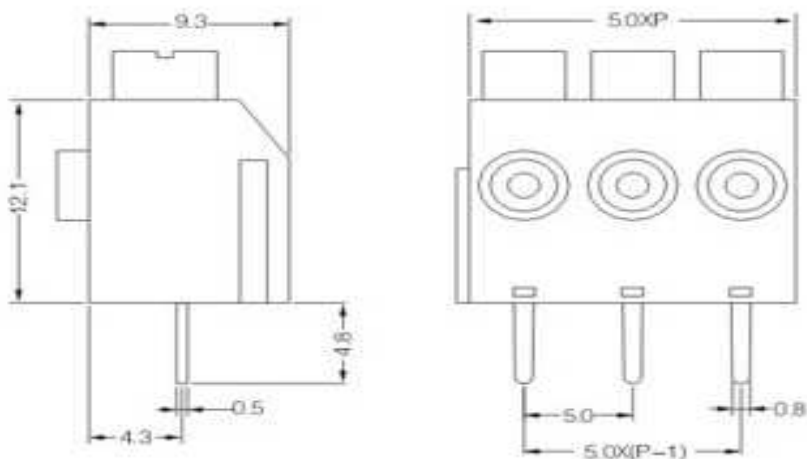




## Drawing



## P.C.B. Layout

## Specifications

### Electrical

Rated voltage	300V
Rated current	8A
Wire range	22-18 AWG / 1.0mm <sup>2</sup>

### Dimensions

Pitch	5.00mm
Poles	2P + 3P

### Material

Housing	PBT (UL94V-0)
Pin header	Brass, Tin plated
Wire guard	Stainless steel



Screwless Terminal Block /  
Pitch 5.00mm

Part No.: **A11L054**

DRW:	Jason	CHKD	Wilson	MATL:	Wilson	TOLERANCE	Mason	DATE	14.07.2009
APPD:	Schumi			FINISH	Jamy		Sheet No.	1 from 3	

Customer:

email: [info@edcon-components.com](mailto:info@edcon-components.com)



Ordering Informations

Serie	-	No. of Pole	Body-Color	-	Customer Request
A11L054	-	XX	XX	-	X

XX = total	WH - white
	GN - green
	GR - gray
	PG - Phoenix Green
	OR - orange
	BK - black
	BL - blue
	LG - light gray



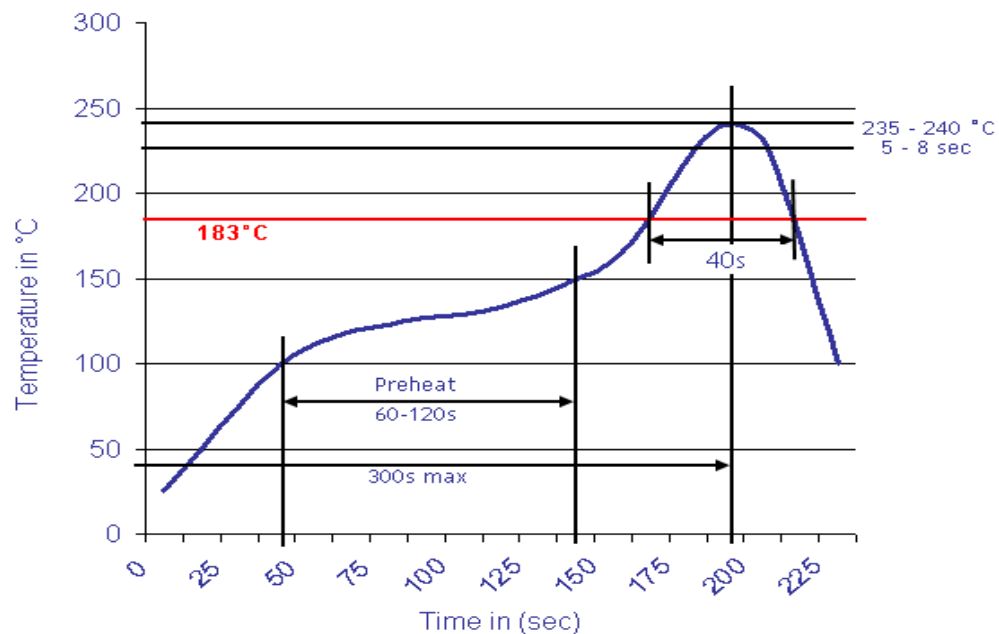
Screwless Terminal Block / Pitch 5.00mm
Part No.: <b>A11L054</b>
Customer:

DRW:	Jason	CHKD	Wilson	MATL:	Wilson	TOLERANCE	Mason	DATE	14.07.2009
APPD:	Schumi			FINISH	Jamy		Sheet No.		2 from 3



Soldering - Profil

Classification Reflow Profile (JEDEC J-STD-020C)



Screwless Terminal Block /  
Pitch 5.00mm

Part No.: **A11L054**

DRW:	Jason	CHKD	Wilson	MATL:	Wilson	TOLERANCE	Mason	DATE	14.07.2009	Customer:
APPD:	Schumi			FINISH	Jamy		Sheet No.	3 from 3		