



DATA SHEET

CHIP Extra Lower Impedance Life 105°C

Serie: I15011

Voltage: 6,3Volt

Range: 470 μ F

Impedance: 0,17 Ω

Dimension 8x10,5mm

Ripple Current: 450mA

CHIP Extra Lower Impedance
Life 105°C

Serie No.: I15011

DRW:	Jason	CHKD	Wilson	MATL:	Wilson	TOLERANCE	Mason	DATE	03.06.2014	Customer:
APPD:	Schumi			FINISH	Jamy		Sheet No.	1 from 7		

EDCON-COMPONENTS



Designed for surface mounting on high density circuit board

Emboss carrier tape packing systems is available for automatic insertion



Technical Informations

Voltage:	6,3Volt
Range;	470µF
Dimension; D x L mm	8x10,5mm
Impedance (Ω) max., at20°C, 100hKz	0,17Ω
Ripple Current (mA rms) at 105°C, 100kHz	450mA

Ordering Code			
6V3	Voltage		
471	Range		
D=	E	L=	4

Impedance 40~60% less than I15008 Series
Extra Lower Impedance with Operating Temperatur Range of -55°C ~ +105°C

Leakage current max.	Ø4 ~ Ø10mm	I= 0,01CV or 3µA whichever is greater (after 2 minutes)
	Ø12,5 ~ Ø16mm	I= 0,03CV or 4µA whichever is greater (after 1 minutes)

Capacitance tolerance ± 20% at 120Hz, 20°C

Dissipation factor max. (at 120Hz, 20°C)	WV		6,3	10	16	25	35	50							
	Tanδ	Ø4 ~ Ø10mm	0,22	0,19	0,16	0,14	0,12	0,12							
		Ø12,5 ~ Ø16mm	0,26	0,22	0,18	0,16	0,14	0,12							

Low Temperatur characteristics (Impedance ratio at 120Hz)	WV		6,3	10	16	25	35	50						
	Ø4 ~ Ø10mm	Z-25°C / Z+20°C	2	2	2	2	2	2						
		Z-55°C / Z+20°C	5	4	4	3	3	3						
	Ø12,5 ~ Ø16mm	Z-25°C / Z+20°C	3	2	2	2	2	2						
Z-55°C / Z+20°C		10	8	6	4	3	3							

Load Life (after application of the rated voltage for 3000hrs at 105°C	Leakage current	Less than specified value
	Capacitance Change	Within ±25% of initial value
	Tanδ	Less than 200% of specified value
	Ø4 ~ Ø6,3x5,8: 1000hours , Ø6,3x7,7 ~ Ø8,0: 2000hours	

**CHIP Extra Lower Impedance
Life 105°C**

Part No.: **I15011**

DRW:	Jason	CHKD	Wilson	MATL:	Wilson	TOLERANCE	Mason	DATE	03.06.2014
APPD:	Schumi			FINISH	Jamy		Sheet No.		2 from 7

Customer:

EDCON-COMPONENTS



Designed for surface mounting on high density circuit board

Emboss carrier tape packing systems is available for automatic insertion



Shell life (at 105°C) After 1000hours no load test, leakage current, capacitance and tan δ are same as load life value.

Resistance to soldering heat	After reflow soldering and resistance at room temperature, they meet the characteristics requirements listed at underside	
	Leakage current	Less than specified value
	Capacitance Change	Within $\pm 10\%$ of initial value
	Tan δ	Less than specified value

Size	FREQUENCY COEFFICIENT OF PERMISSIBLE RIPPLE CURRENT					
	Capacitance μF	Frequency				
		50Hz	120Hz	300Hz	1KHz	10KHz \leq
$\varnothing 4 \sim \varnothing 10\text{mm}$	4,7~ 68	0,35	0,50	0,64	0,83	1,00
	100~1500	0,40	0,55	0,70	0,85	1,00
$\varnothing 12,5 \sim \varnothing 16\text{mm}$	~680	0,45	0,65	0,80	0,90	1,00
	1000 ~4700	0,65	0,85	0,95	1,00	1,00

**CHIP Extra Lower Impedance
Life 105°C**

Part No.: **I15011**

DRW:	Jason	CHKD	Wilson	MATL:	Wilson	TOLERANCE	Mason	DATE	03.06.2014	Customer:
APPD:	Schumi			FINISH	Jamy		Sheet No.	3 from 7		

EDCON-COMPONENTS



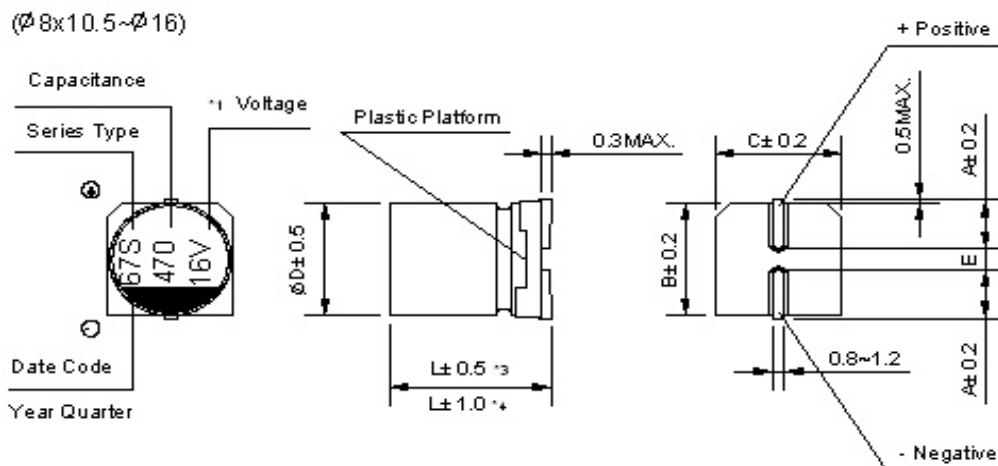
Designed for surface mounting on high density circuit board

Emboss carrier tape packing systems is available for automatic insertion

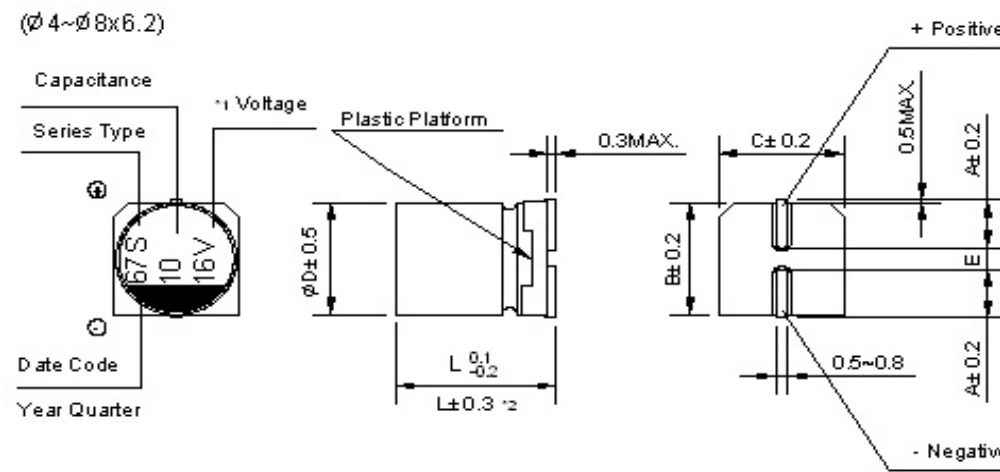


Technical Drawing

Dimension of Size Ø 8x10,5 ~ 16mm



Dimension of Size Ø 4~ 8x6,2mm



D x L	Ø 4 x 5,8	Ø 5 x 5,8	Ø 6,3 x 5,8	Ø 6,3 x 7,7	Ø 8 x 6,2	Ø 8 x 10,5	Ø 10 x 10,5	Ø 10 x 13,5	Ø 12,5 x 13,5	Ø 12,5 x 16	Ø 16 x 16,5
A	2,0	2,2	2,6	2,6	3,4	3,0	3,3	3,3	4,9	4,9	5,8
B	4,3	5,3	6,6	6,6	8,4	8,4	10,4	10,4	13,0	13,0	17,0
C	4,3	5,3	6,6	6,6	8,4	8,4	10,4	10,4	13,0	13,0	17,0
E +/-0.2	1,0	1,3	1,9	1,9	2,3	3,1	4,7	4,7	4,7	4,7	6,4
L	5,8	5,8	5,8	7,7	6,2	10,5	10,5	13,5	13,5	16,0	16,5

*1 Voltage mark (6V) represents 6,3V for Ø 4 ~ 10mm

*3 (L +/- 0.5) is applicable to Ø 8x10,5 ~ Ø 10mm

*2 (L +/- 0.3) is applicable to Ø 6,3 ~ 7.7 and Ø 8 + 6,2mm

*4 (L +/- 1.0) is applicable to Ø 12,5 ~ Ø 16mm

RE. Date code and seriew type -1st digit for Year 2nd digit for Quarter, 4 quarter codes in one year area 1,4,7,0

3rd character for Serie S

**CHIP Extra Lower Impedance
Life 105°C**

Part No.: **I15011**

DRW:	Jason	CHKD	Wilson	MATL:	Wilson	TOLERANCE	Mason	DATE	03.06.2014	Customer:
APPD:	Schumi			FINISH	Jamy		Sheet No.	4 from 7		

www.edcon-components.com

email: info@edcon-components.com

EDCON-COMPONENTS



Designed for surface mounting on high density circuit board

Emboss carrier tape packing systems is available for automatic insertion



Ordering Informations

Serie	Voltage Code	Tolerance Code	Range Code	Size Code D	Size Code L	Special function	ROHS	Packing Code		
-------	--------------	----------------	------------	-------------	-------------	------------------	------	--------------	--	--

I15011	6V3	M	471	E	4	XX	R	TR		
---------------	------------	----------	------------	----------	----------	-----------	----------	-----------	--	--

look table Voltage Code	M= ±20%	Ordering Code Range	Look table Code D	Look table Code L	XX= No function	R= ROHS Conform N= NON ROHS Conform	TR= Tape Reel Packing BU= Bulk-Ware		
-------------------------	----------------	---------------------	-------------------	-------------------	------------------------	--	--	--	--

CHIP Extra Lower Impedance Life 105°C	
Part No.:	I15011
Customer:	

DRW:	Jason	CHKD	Wilson	MATL:	Wilson	TOLERANCE	Mason	DATE	03.06.2014
APPD:	Schumi			FINISH	Jamy		Sheet No.		6 from 7

EDCON-COMPONENTS



Designed for surface mounting on high density circuit board
 Emboss carrier tape packing systems is available for automatic insertion



Soldering Profile Curve

Classification Reflow Profile (JEDEC J-STD-020C)



**CHIP Extra Lower Impedance
 Life 105°C**
 Part No.: **I15011**

DRW:	Jason	CHKD	Wilson	MATL:	Wilson	TOLERANCE	Mason	DATE	03.06.2014
APPD:	Schumi			FINISH	Jamy		Sheet No.	7 from 7	

Customer: