



# DATA SHEET

**CHIP Long Life with extra lower Impedance 105°C 5000hrs**

**Serie: I15010**

Voltage: 160Volt

Range: 47 $\mu$ F

Impedance: no specified

Dimension 16x16,5mm

Ripple Current: 260mA

**CHIP Long Life with extra lower  
Impedance 105°C 5000hrs**

Serie No.: **I15010**

DRW:	Jason	CHKD	Wilson	MATL:	Wilson	TOLERANCE	Mason	DATE	03.06.2014	Customer:
APPD:	Schumi			FINISH	Jamy		Sheet No.	1 from 7		

# EDCON-COMPONENTS



Designed for surface mounting on high density circuit board

Emboss carrier tape packing systems is available for automatic insertion



## Technical Informations

Voltage:	<b>160Volt</b>
Range;	<b>47µF</b>
Dimension; D x L mm	<b>16x16,5mm</b>
Impedance (Ω) max., at20°C, 100hKz	<b>no specified</b>
Ripple Current (mA rms) at 105°C, 100kHz	<b>260mA</b>

Ordering Code			
<b>161</b>	<b>Voltage</b>		
<b>470</b>	<b>Range</b>		
<b>D=</b>	<b>K</b>	<b>L=</b>	<b>7</b>

Operating Temperatur Range of -40°C ~ +105°C  
Load Life of 5000 hours at 105°C

<b>Leakage current max.</b>												
	Ø12,5 ~ Ø16mm	I= 0,04CV or 100µA whichever is greater ( after 2 minutes)										
<b>Capacitance tolerance</b>	± 20% at 120Hz, 20°C											
<b>Dissipation factor max. (at 120Hz, 20°C)</b>		WV		160	200	250	400	450				
	Tanδ	Ø12,5 ~ Ø16mm		0,15	0,15	0,15	0,20	0,20				

<b>Low Temperatur characteristics ( Impedance ratio at 120Hz )</b>		WV		160	200	250	400	450				
		Z-25°C / Z+20°C		3	3	3	6	6				
		Z-40°C / Z+20°C		6	6	6	10	10				

<b>Load Life ( after application of the rated voltage for 5000hrs at 105°C</b>	Leakage current	Less than specified value
	Capacitance Change	Within ±20% of initial value
	Tanδ	Less than 200% of specified value

**Shell life (at 105°C)** After 1000hours no load test, leakage current, capacitance and tanδ are same as load life value.

**CHIP Long Life with extra lower Impedance 105°C 5000hrs**

Part No.: **I15010**

DRW:	Jason	CHKD	Wilson	MATL:	Wilson	TOLERANCE	Mason	DATE	03.06.2014
APPD:	Schumi			FINISH	Jamy		Sheet No.		2 from 7

Customer:

# EDCON-COMPONENTS



Designed for surface mounting on high density circuit board  
 Emboss carrier tape packing systems is available for automatic insertion



<b>Resistance to soldering heat</b>	After reflow soldering and resistance at room temperature, they meet the characteristics requirements listed at underside	
	Leakage current	Less than specified value
	Capacitance Change	Within $\pm 10\%$ of initial value
	Tan $\delta$	Less than specified value

FREQUENCY COEFFICIENT OF PERMISSIBLE RIPPLE CURRENT						
Diameter	Capacitance	Frequency				
		50Hz	120Hz	300Hz	1KHz	10KHz $\leq$
coefficient		0,80	1,00	1,25	1,40	1,60

**CHIP Long Life with extra lower Impedance 105°C 5000hrs**  
 Part No.: **I15010**  
 Customer:

DRW:	Jason	CHKD	Wilson	MATL:	Wilson	TOLERANCE	Mason	DATE	03.06.2014
APPD:	Schumi			FINISH	Jamy		Sheet No.		3 from 7

# EDCON-COMPONENTS



Designed for surface mounting on high density circuit board

Emboss carrier tape packing systems is available for automatic insertion

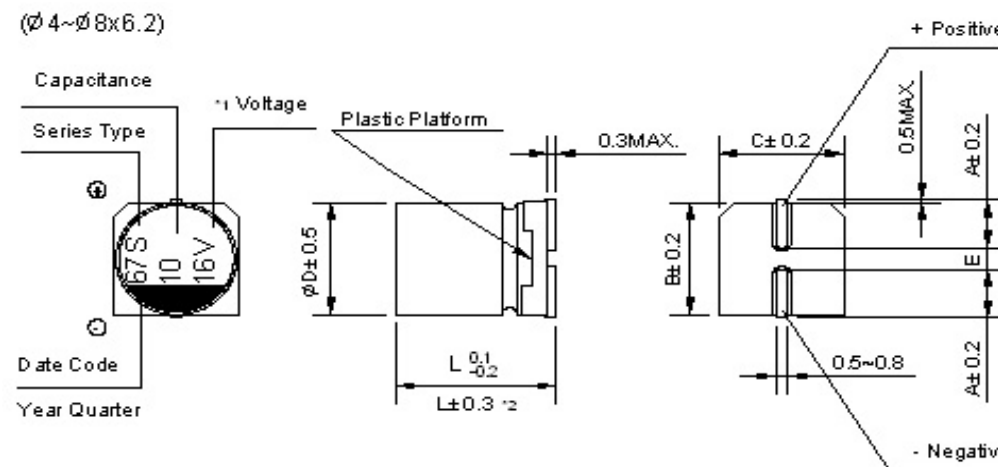


## Technical Drawing

### Dimension of Size $\varnothing 8 \times 10,5 \sim 16 \text{mm}$



### Dimension of Size $\varnothing 4 \sim \varnothing 8 \times 6,2 \text{mm}$



D x L									$\varnothing 12,5 \times 13,5$	$\varnothing 12,5 \times 16$	$\varnothing 16 \times 16,5$
A									4,9	4,9	5,8
B									13,0	13,0	17,0
C									13,0	13,0	17,0
E +/-0.2									4,7	4,7	6,4
L									13,5	16,0	16,5

\*1 Voltage mark (6V) represents 6,3V for  $\varnothing 4 \sim 10 \text{mm}$

\*3 (L +/- 0.5) is applicable to  $\varnothing 8 \times 10,5 \sim \varnothing 10 \text{mm}$

\*2 (L +/- 0.3) is applicable to  $\varnothing 6,3 \sim 7.7$  and  $\varnothing 8 + 6,2 \text{mm}$

\*4 (L +/- 1.0) is applicable to  $\varnothing 12,5 \sim \varnothing 16 \text{mm}$

RE. Date code and seriew type -1st digit for Year 2nd digit for Quarter, 4 quarter codes in one year area 1,4,7,0

3rd character for Serie S

**CHIP Long Life with extra lower Impedance 105°C 5000hrs**

Part No.: **I15010**

DRW:	Jason	CHKD	Wilson	MATL:	Wilson	TOLERANCE	Mason	DATE	03.06.2014	Customer:
APPD:	Schumi			FINISH	Jamy		Sheet No.	4 from 7		

[www.edcon-components.com](http://www.edcon-components.com)

email: [info@edcon-components.com](mailto:info@edcon-components.com)



# EDCON-COMPONENTS



Designed for surface mounting on high density circuit board

Emboss carrier tape packing systems is available for automatic insertion



## Ordering Informations

Serie	Voltage Code	Tolerance Code	Range Code	Size Code D	Size Code L	Special function	ROHS	Packing Code		
-------	--------------	----------------	------------	-------------	-------------	------------------	------	--------------	--	--

<b>I15010</b>	<b>161</b>	<b>M</b>	<b>470</b>	<b>K</b>	<b>7</b>	<b>XX</b>	<b>R</b>	<b>TR</b>		
---------------	------------	----------	------------	----------	----------	-----------	----------	-----------	--	--

look table Voltage Code	<b>M= ±20%</b>	Ordering Code Range	Look table Code D	Look table Code L	<b>XX= No function</b>	<b>R= ROHS Conform</b> <b>N= NON ROHS Conform</b>	<b>TR= Tape Reel Packing</b> <b>BU= Bulk-Ware</b>		
-------------------------	----------------	---------------------	-------------------	-------------------	------------------------	--	--	--	--

**CHIP Long Life with extra lower Impedance 105°C 5000hrs**

Part No.: **I15010**

DRW:	Jason	CHKD	Wilson	MATL:	Wilson	TOLERANCE	Mason	DATE	03.06.2014
APPD:	Schumi			FINISH	Jamy		Sheet No.		6 from 7

Customer: email: info@edcon-components.com

# EDCON-COMPONENTS



Designed for surface mounting on high density circuit board  
 Emboss carrier tape packing systems is available for automatic insertion



## Soldering Profile Curve

### Classification Reflow Profile (JEDEC J-STD-020C)



**CHIP Long Life with extra lower Impedance 105°C 5000hrs**

Part No.: **I15010**

DRW:	Jason	CHKD	Wilson	MATL:	Wilson	TOLERANCE	Mason	DATE	03.06.2014
APPD:	Schumi			FINISH	Jamy		Sheet No.	7 from 7	

Customer: