



DATA SHEET

CHIP Long Life with extra lower Impedance 105°C 5000hrs

Serie: I15010

Voltage: 160Volt

Range: 22 μ F

Impedance: no specified

Dimension 12,5x13,5mm

Ripple Current: 85mA

**CHIP Long Life with extra lower
Impedance 105°C 5000hrs**

Serie No.: **I15010**

DRW:	Jason	CHKD	Wilson	MATL:	Wilson	TOLERANCE	Mason	DATE	03.06.2014	Customer:
APPD:	Schumi			FINISH	Jamy		Sheet No.	1 from 7		

EDCON-COMPONENTS



Designed for surface mounting on high density circuit board

Emboss carrier tape packing systems is available for automatic insertion



Technical Informations

Voltage:	160Volt
Range:	22µF
Dimension; D x L mm	12,5x13,5mm
Impedance (Ω) max., at20°C, 100hKz	no specified
Ripple Current (mA rms) at 105°C, 100kHz	85mA

Ordering Code			
161	Voltage		
220	Range		
D=	I	L=	5

Operating Temperatur Range of -40°C ~ +105°C
Load Life of 5000 hours at 105°C

Leakage current max.											
	Ø12,5 ~ Ø16mm		I= 0,04CV or 100µA whichever is greater (after 2 minutes)								
Capacitance tolerance	± 20% at 120Hz, 20°C										
Dissipation factor max. (at 120Hz, 20°C)	WV		160	200	250	400	450				
	Tan Ö	Ø12,5 ~ Ø16mm	0,15	0,15	0,15	0,20	0,20				

Low Temperatur characteristics (Impedance ratio at 120Hz)	WV		160	200	250	400	450				
	Z-25°C / Z+20°C		3	3	3	6	6				
	Z-40°C / Z+20°C		6	6	6	10	10				

Load Life (after aplication of the rated voltage for 5000hrs at 105°C	Leakage current	Less than specified value
	Capacitance Change	Within ±20% of initial value
	Tan Ö	Less than 200% of specified value

Shell life (at 105°C) After 1000hours no load test, leakage current, capacitance and tan Ö are same as load life value.

CHIP Long Life with extra lower Impedance 105°C 5000hrs

Part No.: **I15010**

DRW:	Jason	CHKD	Wilson	MATL:	Wilson	TOLERANCE	Mason	DATE	03.06.2014
APPD:	Schumi			FINISH	Jamy		Sheet No.		2 from 7

Customer:

EDCON-COMPONENTS



Designed for surface mounting on high density circuit board

Emboss carrier tape packing systems is available for automatic insertion



Resistance to soldering heat	After reflow soldering and resistance at room temperature, they meet the characteristics requirements listed at underside	
	Leakage current	Less than specified value
	Capacitance Change	Within $\pm 10\%$ of initial value
	Tan δ	Less than specified value

FREQUENCY COEFFICIENT OF PERMISSIBLE RIPPLE CURRENT						
Diameter	Capacitance	Frequency				
		50Hz	120Hz	300Hz	1KHz	10KHz \leq
coefficient		0,80	1,00	1,25	1,40	1,60

CHIP Long Life with extra lower Impedance 105°C 5000hrs

Part No.: **I15010**

DRW:	Jason	CHKD	Wilson	MATL:	Wilson	TOLERANCE	Mason	DATE	03.06.2014	Customer:
APPD:	Schumi			FINISH	Jamy		Sheet No.	3 from 7		

EDCON-COMPONENTS



Designed for surface mounting on high density circuit board

Emboss carrier tape packing systems is available for automatic insertion

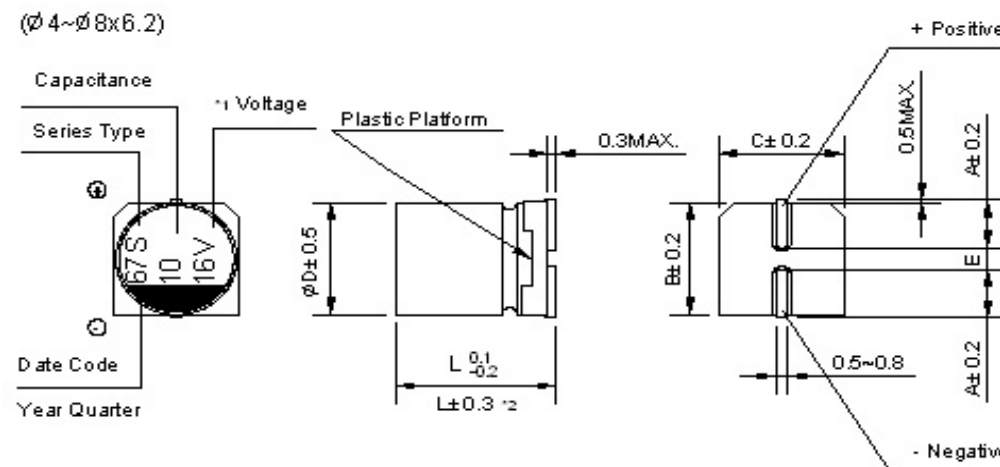


Technical Drawing

Dimension of Size $\varnothing 8 \times 10,5 \sim 16 \text{mm}$



Dimension of Size $\varnothing 4 \sim 8 \times 6,2 \text{mm}$



D x L									$\varnothing 12,5 \times 13,5$	$\varnothing 12,5 \times 16$	$\varnothing 16 \times 16,5$
A									4,9	4,9	5,8
B									13,0	13,0	17,0
C									13,0	13,0	17,0
E +/-0.2									4,7	4,7	6,4
L									13,5	16,0	16,5

*1 Voltage mark (6V) represents 6,3V for $\varnothing 4 \sim 10 \text{mm}$

*3 (L +/- 0.5) is applicable to $\varnothing 8 \times 10,5 \sim \varnothing 10 \text{mm}$

*2 (L +/- 0.3) is applicable to $\varnothing 6,3 \sim 7.7$ and $\varnothing 8 + 6,2 \text{mm}$

*4 (L +/- 1.0) is applicable to $\varnothing 12,5 \sim \varnothing 16 \text{mm}$

RE. Date code and seriew type -1st digit for Year 2nd digit for Quarter, 4 quarter codes in one year area 1,4,7,0

3rd character for Serie S

CHIP Long Life with extra lower Impedance 105°C 5000hrs

Part No.: **I15010**

DRW:	Jason	CHKD	Wilson	MATL:	Wilson	TOLERANCE	Mason	DATE	03.06.2014	Customer:
APPD:	Schumi			FINISH	Jamy		Sheet No.	4 from 7		

www.edcon-components.com

email: info@edcon-components.com

EDCON-COMPONENTS



Designed for surface mounting on high density circuit board

Emboss carrier tape packing systems is available for automatic insertion



Ordering Informations

Serie	Voltage Code	Tolerance Code	Range Code	Size Code D	Size Code L	Special function	ROHS	Packing Code		
-------	--------------	----------------	------------	-------------	-------------	------------------	------	--------------	--	--

I15010	161	M	220	I	5	XX	R	TR		
---------------	------------	----------	------------	----------	----------	-----------	----------	-----------	--	--

look table Voltage Code	M= ±20%	Ordering Code Range	Look table Code D	Look table Code L	XX= No function	R= ROHS Conform N= NON ROHS Conform	TR= Tape Reel Packing BU= Bulk-Ware		
-------------------------	----------------	---------------------	-------------------	-------------------	------------------------	--	--	--	--

CHIP Long Life with extra lower Impedance 105°C 5000hrs	
Part No.:	I15010
Customer:	

DRW:	Jason	CHKD	Wilson	MATL:	Wilson	TOLERANCE	Mason	DATE	03.06.2014
APPD:	Schumi			FINISH	Jamy		Sheet No.		6 from 7

EDCON-COMPONENTS



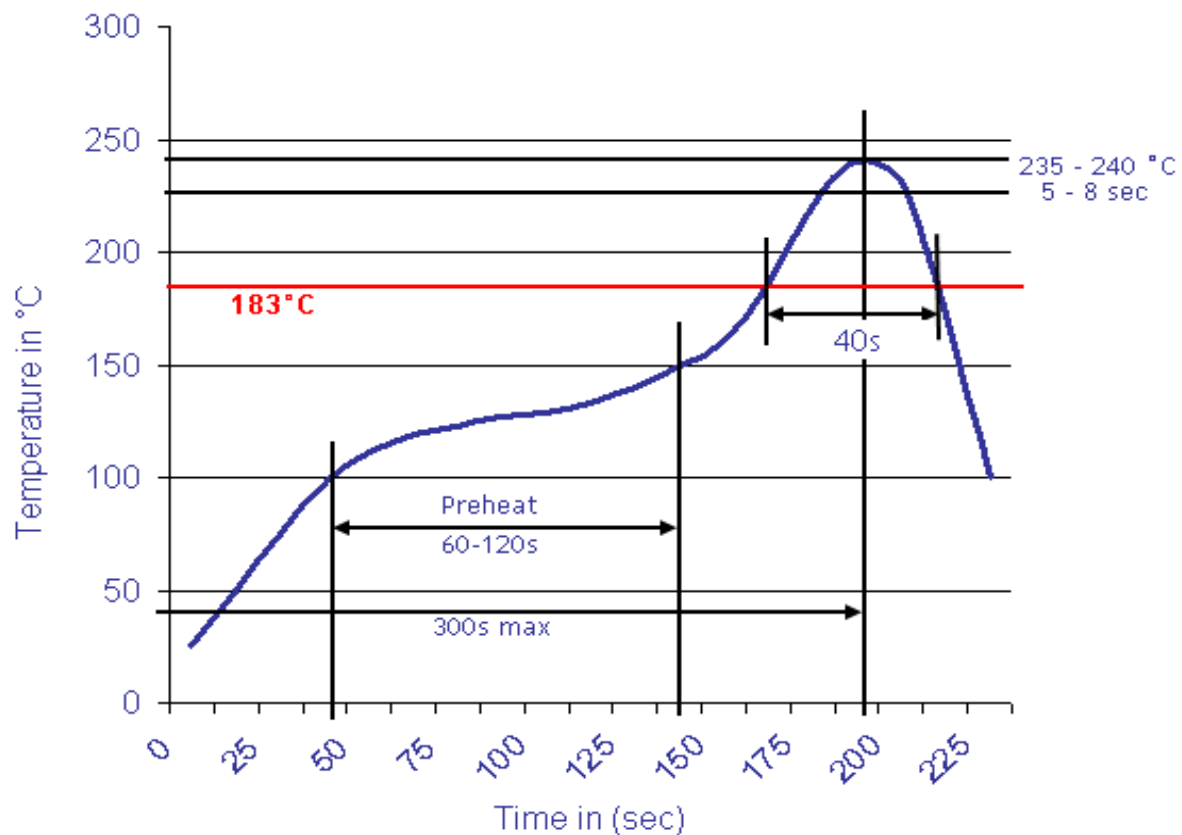
Designed for surface mounting on high density circuit board

Emboss carrier tape packing systems is available for automatic insertion



Soldering Profile Curve

Classification Reflow Profile (JEDEC J-STD-020C)



CHIP Long Life with extra lower Impedance 105°C 5000hrs

Part No.: **I15010**

DRW:	Jason	CHKD	Wilson	MATL:	Wilson	TOLERANCE	Mason	DATE	03.06.2014
APPD:	Schumi			FINISH	Jamy		Sheet No.	7 from 7	

Customer: