



# DATA SHEET

## CHIP 5000Hours Load Life 105°C

### Serie: I15009

Voltage: 50Volt Range: 100 $\mu$ F

Impedance: no specified Dimension 10x10,5mm

Ripple Current: 310mA

CHIP 5000Hours Load Life 105°C

Serie No.: I15009

DRW:	Jason	CHKD	Wilson	MATL:	Wilson	TOLERANCE	Mason	DATE	03.06.2014	Customer:
APPD:	Schumi			FINISH	Jamy		Sheet No.	1 from 7		

# EDCON-COMPONENTS



Designed for surface mounting on high density circuit board

Emboss carrier tape packing systems is available for automatic insertion



## Technical Informations

Voltage:	<b>50Volt</b>
Range:	<b>100µF</b>
Dimension; D x L mm	<b>10x10,5mm</b>
Impedance (Ω) max., at20°C, 100hKz	<b>no specified</b>
Ripple Current (mA rms) at 105°C, 100kHz	<b>310mA</b>

Ordering Code			
<b>500</b>	<b>Voltage</b>		
<b>101</b>	<b>Range</b>		
<b>D=</b>	<b>G</b>	<b>L=</b>	<b>4</b>

Operating Temperatur Range of -55°C ~ +105°C  
Load Life of 3000~5000 hours

<b>Leakage current max.</b>	Ø4 ~ Ø10mm	I= 0,01CV or 3µA whichever is greater ( after 2 minutes)
	Ø12,5 ~ Ø16mm	I= 0,03CV or 4µA whichever is greater ( after 1 minutes)

**Capacitance tolerance** ± 20% at 120Hz, 20°C

<b>Dissipation factor max. (at 120Hz, 20°C)</b>	WV		6,3	10	16	25	35	50	63	100				
	Tanδ	Ø4 ~ Ø10mm	0,28	0,24	0,20	0,16	0,13	0,12	0,12	0,12				
		Ø12,5 ~ Ø16mm	0,38	0,34	0,30	0,26	0,22	0,18	0,18	0,18				

<b>Low Temperatur characteristics ( Impedance ratio at 120Hz )</b>	WV		6,3	10	16	25	35	50	63	100				
	Ø4 ~ Ø10mm	Z-25°C / Z+20°C	3	3	2	2	2	2	2	2				
		Z-55°C / Z+20°C	8	5	4	3	3	3	3	3				
	Ø12,5 ~ Ø16mm	Z-25°C / Z+20°C	5	4	3	2	2	2	2	2				
Z-55°C / Z+20°C		12	10	8	5	4	3	3	3					

<b>Load Life ( after application of the rated voltage for 5000hrs at 125°C</b>	Leakage current	Less than specified value
	Capacitance Change	Within ±30% of initial value
	Tanδ	Less than 300% of specified value
	Ø4 ~ Ø6,3x5,8 , Ø8x6,2 ~ Ø6,3: 3000hours	

**CHIP 5000Hours Load Life 105°C**

Part No.: **I15009**

DRW:	Jason	CHKD	Wilson	MATL:	Wilson	TOLERANCE	Mason	DATE	03.06.2014	Customer:
APPD:	Schumi			FINISH	Jamy		Sheet No.	2 from 7		

# EDCON-COMPONENTS



Designed for surface mounting on high density circuit board

Emboss carrier tape packing systems is available for automatic insertion



**Shell life (at 105°C)** After 1000hours no load test, leakage current, capacitance and tan $\delta$  are same as load life value.

<b>Resistance to soldering heat</b>	After reflow soldering and resistance at room temperature, they meet the characteristics requirements listed at underside	
	Leakage current	Less than specified value
	Capacitance Change	Within $\pm$ 10% of initial value
	Tan $\delta$	Less than specified value

Size	Capacitance $\mu$ F	FREQUENCY COEFFICIENT OF PERMISSIBLE RIPPLE CURRENT				
		Frequency				
		50Hz	120Hz	300Hz	1KHz	10KHz $\leq$
$\varnothing$ 4 ~ $\varnothing$ 10mm		0,70	1,00	1,17	1,36	1,50
$\varnothing$ 12,5 ~ $\varnothing$ 16mm	~68	0,75	1,00	1,35	1,57	2,00
	100 ~470	0,80	1,00	1,23	1,34	1,50
	680 ~3300	0,85	1,00	1,10	1,13	1,15

**CHIP 5000Hours Load Life 105°C**

Part No.: **I15009**

DRW:	Jason	CHKD	Wilson	MATL:	Wilson	TOLERANCE	Mason	DATE	03.06.2014	Customer:
APPD:	Schumi			FINISH	Jamy		Sheet No.	3 from 7		

# EDCON-COMPONENTS



Designed for surface mounting on high density circuit board

Emboss carrier tape packing systems is available for automatic insertion

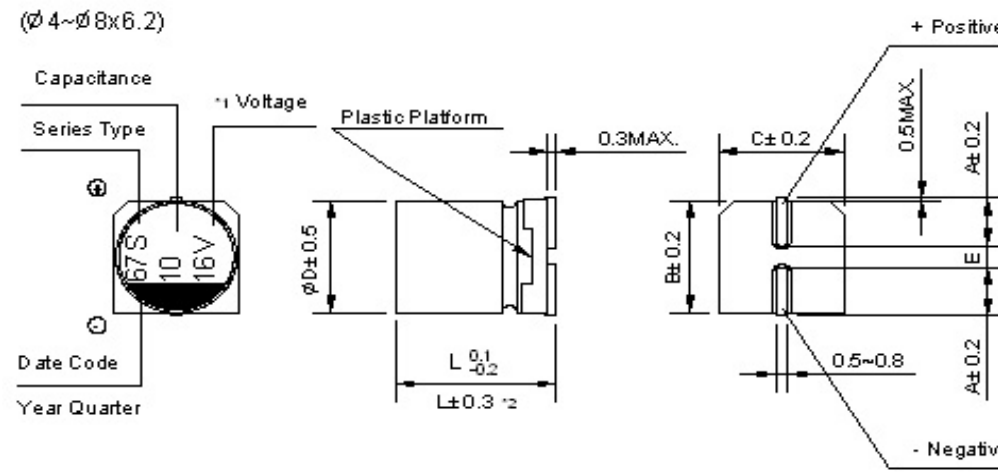


## Technical Drawing

### Dimension of Size $\varnothing$ 8x10,5 ~ 16mm



### Dimension of Size $\varnothing$ 4~ 8x6,2mm



D x L	$\varnothing$ 4 x 5,8	$\varnothing$ 5 x 5,8	$\varnothing$ 6,3 x 5,8	$\varnothing$ 6,3 x 7,7	$\varnothing$ 8 x 6,2	$\varnothing$ 8 x 10,5	$\varnothing$ 10 x 10,5	$\varnothing$ 10 x 13,5	$\varnothing$ 12,5 x 13,5	$\varnothing$ 12,5 x 16	$\varnothing$ 16 x 16,5
A	2,0	2,2	2,6	2,6	3,4	3,0	3,3	3,3	4,9	4,9	5,8
B	4,3	5,3	6,6	6,6	8,4	8,4	10,4	10,4	13,0	13,0	17,0
C	4,3	5,3	6,6	6,6	8,4	8,4	10,4	10,4	13,0	13,0	17,0
E +/-0.2	1,0	1,3	1,9	1,9	2,3	3,1	4,7	4,7	4,7	4,7	6,4
L	5,8	5,8	5,8	7,7	6,2	10,5	10,5	13,5	13,5	16,0	16,5

\*1 Voltage mark (6V) represents 6,3V for  $\varnothing$  4 ~ 10mm

\*3 (L +/- 0.5) is applicable to  $\varnothing$  8x10,5 ~  $\varnothing$  10mm

\*2 (L +/- 0.3) is applicable to  $\varnothing$  6,3 ~ 7.7 and  $\varnothing$  8 + 6,2mm

\*4 (L +/- 1.0) is applicable to  $\varnothing$  12,5 ~  $\varnothing$  16mm

RE. Date code and seriew type -1st digit for Year 2nd digit for Quarter, 4 quarter codes in one year area 1,4,7,0

3rd character for Serie S

**CHIP 5000Hours Load Life 105°C**

Part No.: **I15009**

DRW:	Jason	CHKD	Wilson	MATL:	Wilson	TOLERANCE	Mason	DATE	03.06.2014	Customer:
APPD:	Schumi			FINISH	Jamy		Sheet No.	4 from 7		

[www.edcon-components.com](http://www.edcon-components.com)

email: [info@edcon-components.com](mailto:info@edcon-components.com)



# EDCON-COMPONENTS



Designed for surface mounting on high density circuit board

Emboss carrier tape packing systems is available for automatic insertion



## Ordering Informations

Serie	Voltage Code	Tolerance Code	Range Code	Size Code D	Size Code L	Special function	ROHS	Packing Code		
-------	--------------	----------------	------------	-------------	-------------	------------------	------	--------------	--	--

<b>I15009</b>	<b>500</b>	<b>M</b>	<b>101</b>	<b>G</b>	<b>4</b>	<b>XX</b>	<b>R</b>	<b>TR</b>		
---------------	------------	----------	------------	----------	----------	-----------	----------	-----------	--	--

look table	<b>M= ±20%</b>	Ordering Code Range	Look table Code D	Look table Code L	<b>XX= No function</b>	<b>R= ROHS Conform</b>	<b>TR= Tape Reel Packing</b>		
Voltage Code						<b>N= NON ROHS Conform</b>			
							<b>BU= Bulk-Ware</b>		

**CHIP 5000Hours Load Life 105°C**

Part No.: **I15009**

DRW:	Jason	CHKD	Wilson	MATL:	Wilson	TOLERANCE	Mason	DATE	03.06.2014	Customer:
APPD:	Schumi			FINISH	Jamy		Sheet No.	6 from 7		

# EDCON-COMPONENTS



Designed for surface mounting on high density circuit board  
 Emboss carrier tape packing systems is available for automatic insertion



## Soldering Profile Curve

### Classification Reflow Profile (JEDEC J-STD-020C)



**CHIP 5000Hours Load Life 105°C**

Part No.: **I15009**

DRW:	Jason	CHKD	Wilson	MATL:	Wilson	TOLERANCE	Mason	DATE	03.06.2014
APPD:	Schumi			FINISH	Jamy		Sheet No.	7 from 7	

Customer: