



# DATA SHEET

## CHIP Low Impedance 105°C

### Serie: I15008

Voltage: 50Volt

Range: 1,0 $\mu$ F

Impedance: 5,0 $\Omega$

Dimension 4x5,4mm

Ripple Current: 30mA

**CHIP Low Impedance 105°C**

Serie No.: **I15008**

DRW:	Jason	CHKD	Wilson	MATL:	Wilson	TOLERANCE	Mason	DATE	03.06.2014	Customer:
APPD:	Schumi			FINISH	Jamy		Sheet No.	1 from 7		

# EDCON-COMPONENTS



Designed for surface mounting on high density circuit board

Emboss carrier tape packing systems is available for automatic insertion



## Technical Informations

Voltage:	<b>50Volt</b>
Range;	<b>1,0µF</b>
Dimension; D x L mm	<b>4x5,4mm</b>
Impedance (Ω) max., at 20°C, 100kHz	<b>5,0Ω</b>
Ripple Current (mA rms) at 105°C, 100kHz	<b>30mA</b>

Ordering Code			
<b>500</b>	<b>Voltage</b>		
<b>1R0</b>	<b>Range</b>		
<b>D=</b>	<b>A</b>	<b>L=</b>	<b>0</b>

Low Impedance with Operating Temperatur Range of -55°C ~ +105°C  
Load Life of 1000~2000hours

<b>Leakage current max.</b>	Ø4 ~ Ø10mm	I = 0,01CV or 3µA whichever is greater ( after 2 minutes)
	Ø12,5 ~ Ø16mm	I = 0,03CV or 4µA whichever is greater ( after 1 minutes)

**Capacitance tolerance** ± 20% at 120Hz, 20°C

<b>Dissipation factor max. (at 120Hz, 20°C)</b>	WV		6,3	10	16	25	35	50						
	Tan δ	Ø4 ~ Ø10mm	0,22	0,19	0,16	0,14	0,12	0,12						
		Ø12,5 ~ Ø16mm	0,26	0,22	0,18	0,16	0,14	0,12						

<b>Low Temperatur characteristics ( Impedance ratio at 120Hz )</b>	WV		6,3	10	16	25	35	50						
	Ø4 ~ Ø10mm	Z-25°C / Z+20°C	2	2	2	2	2	2						
		Z-55°C / Z+20°C	5	4	4	3	3	3						
	Ø12,5 ~ Ø16mm	Z-25°C / Z+20°C	3	3	2	2	2	2						
Z-55°C / Z+20°C		10	8	6	4	3	3							

<b>Load Life ( after application of the rated voltage for 2000hrs at 105°C</b>	Leakage current	Less than specified value
	Capacitance Change	Within ±20% of initial value
	Tan δ	Less than 200% of specified value
	Ø4 ~ Ø6,3x5,4: 1000hours	

<b>CHIP Low Impedance 105°C</b>	
Part No.:	<b>I15008</b>

DRW:	Jason	CHKD	Wilson	MATL:	Wilson	TOLERANCE	Mason	DATE	03.06.2014	Customer:
APPD:	Schumi			FINISH	Jamy		Sheet No.	2 from 7		

# EDCON-COMPONENTS



Designed for surface mounting on high density circuit board

Emboss carrier tape packing systems is available for automatic insertion



**Shell life (at 105°C)** After 1000hours no load test, leakage current, capacitance and tan $\delta$  are same as load life value.

<b>Resistance to soldering heat</b>	After reflow soldering and resistance at room temperature, they meet the characteristics requirements listed at underside	
	Leakage current	Less than specified value
	Capacitance Change	Within $\pm$ 10% of initial value
	Tan $\delta$	Less than specified value

Size	FREQUENCY COEFFICIENT OF PERMISSIBLE RIPPLE CURRENT					
	Capacitance $\mu$ F	Frequency				
		50Hz	120Hz	300Hz	1KHz	10KHz $\leq$
$\varnothing$ 4 ~ $\varnothing$ 10mm	1,0~ 68	0,35	0,50	0,64	0,83	1,00
	100~2200	0,40	0,55	0,70	0,85	1,00
$\varnothing$ 12,5 ~ $\varnothing$ 16mm	~680	0,45	0,65	0,80	0,90	1,00
	1000 ~4700	0,65	0,85	0,95	1,00	1,00

<b>CHIP Low Impedance 105°C</b>	
Part No.:	<b>I15008</b>
Customer:	

DRW:	Jason	CHKD	Wilson	MATL:	Wilson	TOLERANCE	Mason	DATE	03.06.2014
APPD:	Schumi			FINISH	Jamy		Sheet No.		3 from 7

# EDCON-COMPONENTS



Designed for surface mounting on high density circuit board

Emboss carrier tape packing systems is available for automatic insertion

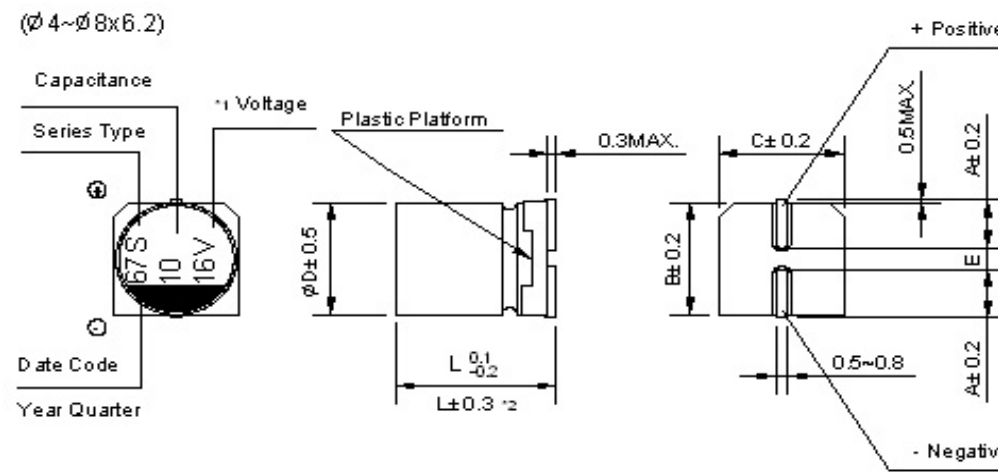


## Technical Drawing

### Dimension of Size $\varnothing$ 8x10,5 ~ 16mm



### Dimension of Size $\varnothing$ 4~ 8x6,2mm



D x L	$\varnothing$ 4 x 5,4	$\varnothing$ 5 x 5,4	$\varnothing$ 6,3 x 5,4	$\varnothing$ 6,3 x 7,7	$\varnothing$ 8 x 6,2	$\varnothing$ 8 x 10,5	$\varnothing$ 10 x 10,5	$\varnothing$ 10 x 13,5	$\varnothing$ 12,5 x 13,5	$\varnothing$ 12,5 x 16	$\varnothing$ 16 x 16,5
A	2,0	2,2	2,6	2,6	3,4	3,0	3,3	3,3	4,9	4,9	5,8
B	4,3	5,3	6,6	6,6	8,4	8,4	10,4	10,4	13,0	13,0	17,0
C	4,3	5,3	6,6	6,6	8,4	8,4	10,4	10,4	13,0	13,0	17,0
E +/-0.2	1,0	1,3	1,9	1,9	2,3	3,1	4,7	4,7	4,7	4,7	6,4
L	5,4	5,4	5,4	7,7	6,2	10,5	10,5	13,5	13,5	16,0	16,5

\*1 Voltage mark (6V) represents 6,3V for  $\varnothing$  4 ~ 10mm

\*3 (L +/- 0.5) is applicable to  $\varnothing$  8x10,5 ~  $\varnothing$  10mm

\*2 (L +/- 0.3) is applicable to  $\varnothing$  6,3 ~ 7.7 and  $\varnothing$  8 + 6,2mm

\*4 (L +/- 1.0) is applicable to  $\varnothing$  12,5 ~  $\varnothing$  16mm

RE. Date code and seriew type -1st digit for Year 2nd digit for Quarter, 4 quarter codes in one year area 1,4,7,0

3rd character for Serie S

**CHIP Low Impedance 105°C**

Part No.: **I15008**

DRW:	Jason	CHKD	Wilson	MATL:	Wilson	TOLERANCE	Mason	DATE	03.06.2014	Customer:
APPD:	Schumi			FINISH	Jamy		Sheet No.	4 from 7		

[www.edcon-components.com](http://www.edcon-components.com)

email: [info@edcon-components.com](mailto:info@edcon-components.com)

# EDCON-COMPONENTS



Designed for surface mounting on high density circuit board

Emboss carrier tape packing systems is available for automatic insertion



Voltage Ordering Code	Code
4,0	<b>4V0</b>
6,3	<b>6V3</b>
10	<b>100</b>
16	<b>160</b>
25	<b>250</b>
35	<b>350</b>
50	<b>500</b>
63	<b>630</b>
80	<b>800</b>
100	<b>101</b>

Diameter ordering Code D	Code
3mm	<b>3</b>
4mm	<b>A</b>
5mm	<b>B</b>
6,3mm	<b>C</b>
8mm	<b>E</b>
10mm	<b>G</b>
12,5mm	<b>I</b>
16mm	<b>K</b>

Height ordering Code L	Code
4mm	<b>A</b>
5,4mm	<b>0</b>
5,8mm	<b>1</b>
6,2mm	<b>2</b>
7,7mm	<b>3</b>
10,5mm	<b>4</b>
13,5mm	<b>5</b>
16mm	<b>6</b>
16,5mm	<b>7</b>

<b>CHIP Low Impedance 105°C</b>	
Part No.:	<b>I15008</b>
Customer:	

DRW:	Jason	CHKD	Wilson	MATL:	Wilson	TOLERANCE	Mason	DATE	03.06.2014
APPD:	Schumi			FINISH	Jamy		Sheet No.		5 from 7

# EDCON-COMPONENTS



Designed for surface mounting on high density circuit board

Emboss carrier tape packing systems is available for automatic insertion



## Ordering Informations

Serie	Voltage Code	Tolerance Code	Range Code	Size Code D	Size Code L	Special function	ROHS	Packing Code		
-------	--------------	----------------	------------	-------------	-------------	------------------	------	--------------	--	--

<b>I15008</b>	<b>500</b>	<b>M</b>	<b>1R0</b>	<b>A</b>	<b>0</b>	<b>XX</b>	<b>R</b>	<b>TR</b>		
---------------	------------	----------	------------	----------	----------	-----------	----------	-----------	--	--

look table Voltage Code	<b>M= ±20%</b>	Ordering Code Range	Look table Code D	Look table Code L	<b>XX= No function</b>	<b>R= ROHS Conform</b> <b>N= NON ROHS Conform</b>	<b>TR= Tape Reel Packing</b> <b>BU= Bulk-Ware</b>		
-------------------------	----------------	---------------------	-------------------	-------------------	------------------------	--	--	--	--

<b>CHIP Low Impedance 105°C</b>
Part No.: <b>I15008</b>
Customer:

DRW:	Jason	CHKD	Wilson	MATL:	Wilson	TOLERANCE	Mason	DATE	03.06.2014
APPD:	Schumi			FINISH	Jamy		Sheet No.		6 from 7

# EDCON-COMPONENTS



Designed for surface mounting on high density circuit board  
 Emboss carrier tape packing systems is available for automatic insertion



## Soldering Profile Curve

### Classification Reflow Profile (JEDEC J-STD-020C)



<b>CHIP Low Impedance 105°C</b>
Part No.: <b>I15008</b>
Customer:

DRW:	Jason	CHKD	Wilson	MATL:	Wilson	TOLERANCE	Mason	DATE	03.06.2014
APPD:	Schumi			FINISH	Jamy		Sheet No.	7 from 7	