

EDCON-COMPONENTS



Designed for surface mounting on high density circuit board

Emboss carrier tape packing systems is available for automatic insertion



Technical Informations

Voltage:	10Volt
Range;	47µF
Dimension; D x L mm	5x5,4mm
Impedance (Ω) max., at 20°C, 100kHz	1,8Ω
Ripple Current (mA rms) at 105°C, 100kHz	95mA

Ordering Code			
100	Voltage		
470	Range		
D=	B	L=	0

Low Impedance with Operating Temperatur Range of -55°C ~ +105°C
Load Life of 1000~2000hours

Leakage current max.	Ø4 ~ Ø10mm	I = 0,01CV or 3µA whichever is greater (after 2 minutes)
	Ø12,5 ~ Ø16mm	I = 0,03CV or 4µA whichever is greater (after 1 minutes)

Capacitance tolerance ± 20% at 120Hz, 20°C

Dissipation factor max. (at 120Hz, 20°C)	WV		6,3	10	16	25	35	50						
	Tan δ	Ø4 ~ Ø10mm	0,22	0,19	0,16	0,14	0,12	0,12						
		Ø12,5 ~ Ø16mm	0,26	0,22	0,18	0,16	0,14	0,12						

Low Temperatur characteristics (Impedance ratio at 120Hz)	WV		6,3	10	16	25	35	50						
	Ø4 ~ Ø10mm	Z-25°C / Z+20°C	2	2	2	2	2	2						
		Z-55°C / Z+20°C	5	4	4	3	3	3						
	Ø12,5 ~ Ø16mm	Z-25°C / Z+20°C	3	3	2	2	2	2						
Z-55°C / Z+20°C		10	8	6	4	3	3							

Load Life (after application of the rated voltage for 2000hrs at 105°C	Leakage current	Less than specified value
	Capacitance Change	Within ±20% of initial value
	Tan δ	Less than 200% of specified value
	Ø4 ~ Ø6,3x5,4: 1000hours	

CHIP Low Impedance 105°C

Part No.: **I15008**

DRW:	Jason	CHKD	Wilson	MATL:	Wilson	TOLERANCE	Mason	DATE	03.06.2014	Customer:
APPD:	Schumi			FINISH	Jamy		Sheet No.	2 from 7		

EDCON-COMPONENTS



Designed for surface mounting on high density circuit board

Emboss carrier tape packing systems is available for automatic insertion



Shell life (at 105°C) After 1000hours no load test, leakage current, capacitance and tan δ are same as load life value.

Resistance to soldering heat	After reflow soldering and resistance at room temperature, they meet the characteristics requirements listed at underside	
	Leakage current	Less than specified value
	Capacitance Change	Within \pm 10% of initial value
	Tan δ	Less than specified value

Size	FREQUENCY COEFFICIENT OF PERMISSIBLE RIPPLE CURRENT					
	Capacitance μ F	Frequency				
		50Hz	120Hz	300Hz	1KHz	10KHz \leq
\varnothing 4 ~ \varnothing 10mm	1,0~ 68	0,35	0,50	0,64	0,83	1,00
	100~2200	0,40	0,55	0,70	0,85	1,00
\varnothing 12,5 ~ \varnothing 16mm	~680	0,45	0,65	0,80	0,90	1,00
	1000 ~4700	0,65	0,85	0,95	1,00	1,00

CHIP Low Impedance 105°C	
Part No.:	I15008
Customer:	

DRW:	Jason	CHKD	Wilson	MATL:	Wilson	TOLERANCE	Mason	DATE	03.06.2014
APPD:	Schumi			FINISH	Jamy		Sheet No.		3 from 7

EDCON-COMPONENTS



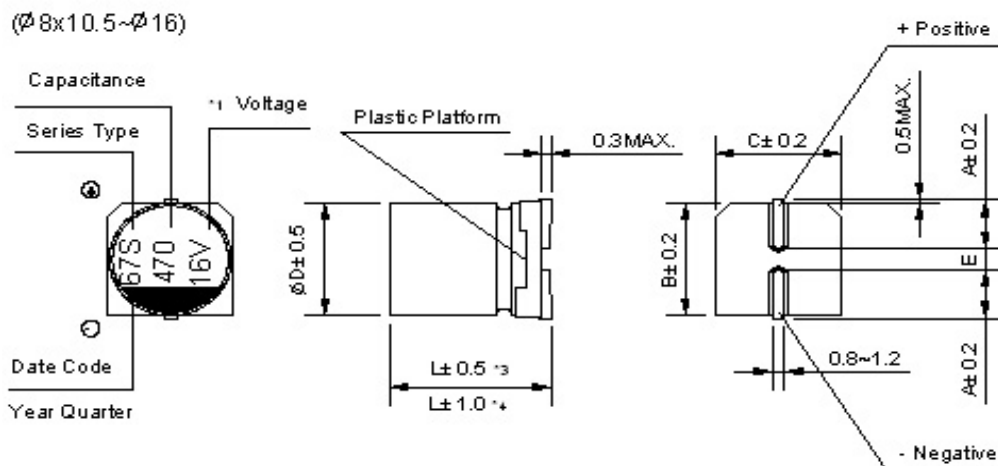
Designed for surface mounting on high density circuit board

Emboss carrier tape packing systems is available for automatic insertion

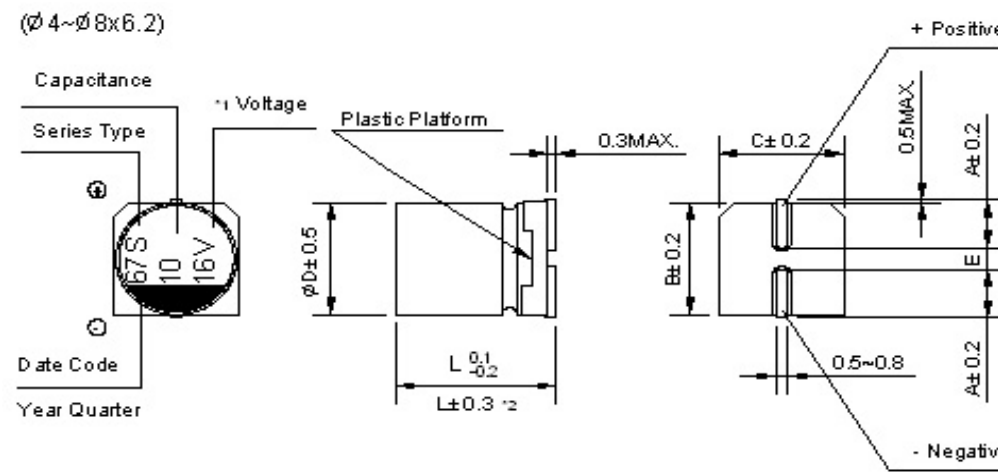


Technical Drawing

Dimension of Size $\varnothing 8 \times 10,5 \sim 16 \text{mm}$



Dimension of Size $\varnothing 4 \sim 8 \times 6,2 \text{mm}$



D x L	$\varnothing 4 \times 5,4$	$\varnothing 5 \times 5,4$	$\varnothing 6,3 \times 5,4$	$\varnothing 6,3 \times 7,7$	$\varnothing 8 \times 6,2$	$\varnothing 8 \times 10,5$	$\varnothing 10 \times 10,5$	$\varnothing 10 \times 13,5$	$\varnothing 12,5 \times 13,5$	$\varnothing 12,5 \times 16$	$\varnothing 16 \times 16,5$
A	2,0	2,2	2,6	2,6	3,4	3,0	3,3	3,3	4,9	4,9	5,8
B	4,3	5,3	6,6	6,6	8,4	8,4	10,4	10,4	13,0	13,0	17,0
C	4,3	5,3	6,6	6,6	8,4	8,4	10,4	10,4	13,0	13,0	17,0
E +/-0.2	1,0	1,3	1,9	1,9	2,3	3,1	4,7	4,7	4,7	4,7	6,4
L	5,4	5,4	5,4	7,7	6,2	10,5	10,5	13,5	13,5	16,0	16,5

*1 Voltage mark (6V) represents 6,3V for $\varnothing 4 \sim 10 \text{mm}$

*3 (L +/- 0.5) is applicable to $\varnothing 8 \times 10,5 \sim \varnothing 10 \text{mm}$

*2 (L +/- 0.3) is applicable to $\varnothing 6,3 \sim 7,7$ and $\varnothing 8 + 6,2 \text{mm}$

*4 (L +/- 1.0) is applicable to $\varnothing 12,5 \sim \varnothing 16 \text{mm}$

RE. Date code and seriew type -1st digit for Year 2nd digit for Quarter, 4 quarter codes in one year area 1,4,7,0

3rd character for Serie S

CHIP Low Impedance 105°C

Part No.: **I15008**

DRW:	Jason	CHKD	Wilson	MATL:	Wilson	TOLERANCE	Mason	DATE	03.06.2014	Customer:
APPD:	Schumi			FINISH	Jamy		Sheet No.	4 from 7		

www.edcon-components.com

email: info@edcon-components.com

EDCON-COMPONENTS



Designed for surface mounting on high density circuit board

Emboss carrier tape packing systems is available for automatic insertion



Ordering Informations

Serie	Voltage Code	Tolerance Code	Range Code	Size Code D	Size Code L	Special function	ROHS	Packing Code		
-------	--------------	----------------	------------	-------------	-------------	------------------	------	--------------	--	--

I15008	100	M	470	B	0	XX	R	TR		
---------------	------------	----------	------------	----------	----------	-----------	----------	-----------	--	--

look table Voltage Code	M= ±20%	Ordering Code Range	Look table Code D	Look table Code L	XX= No function	R= ROHS Conform N= NON ROHS Conform	TR= Tape Reel Packing BU= Bulk-Ware		
-------------------------	----------------	---------------------	-------------------	-------------------	------------------------	--	--	--	--

CHIP Low Impedance 105°C

Part No.: **I15008**

DRW:	Jason	CHKD	Wilson	MATL:	Wilson	TOLERANCE	Mason	DATE	03.06.2014
APPD:	Schumi			FINISH	Jamy		Sheet No.		6 from 7

Customer:

EDCON-COMPONENTS



Designed for surface mounting on high density circuit board
 Emboss carrier tape packing systems is available for automatic insertion



Soldering Profile Curve

Classification Reflow Profile (JEDEC J-STD-020C)



CHIP Low Impedance 105°C
Part No.: I15008
Customer:

DRW:	Jason	CHKD	Wilson	MATL:	Wilson	TOLERANCE	Mason	DATE	03.06.2014
APPD:	Schumi			FINISH	Jamy		Sheet No.	7 from 7	