



# EDCON-COMPONENTS



Designed for surface mounting on high density circuit board

Emboss carrier tape packing systems is available for automatic insertion



## Technical Informations

|  |                     |
|--|---------------------|
| Voltage:                                 | <b>16Volt</b>       |
| Range;                                   | <b>47µF</b>         |
| Dimension; D x L mm                      | <b>6,3x5,8mm</b>    |
| Impedance (Ω) max., at20°C, 100hKz       | <b>no specified</b> |
| Ripple Current (mA rms) at 105°C, 100kHz | <b>48mA</b>         |

| Ordering Code |                |           |          |
|---------------|----------------|-----------|----------|
| <b>160</b>    | <b>Voltage</b> |           |          |
| <b>470</b>    | <b>Range</b>   |           |          |
| <b>D=</b>     | <b>C</b>       | <b>L=</b> | <b>1</b> |

Operating Temperatur Range of -55°C ~ +105°C

Load Life of 2000~3000 hours at 105°C

|   |                      |  |      |      |      |      |      |      |  |  |
|---|----------------------|--|------|------|------|------|------|------|--|--|
| <b>Leakage current max.</b>                     | Ø4 ~ Ø10mm           | I= 0,01CV or 3µA whichever is greater ( after 2 minutes) |      |      |      |      |      |      |  |  |
|   | Ø12,5 ~ Ø16mm        | I= 0,03CV or 4µA whichever is greater ( after 1 minutes) |      |      |      |      |      |      |  |  |
| <b>Capacitance tolerance</b>                    | ± 20% at 120Hz, 20°C |  |      |      |      |      |      |      |  |  |
| <b>Dissipation factor max. (at 120Hz, 20°C)</b> | WV                   |  | 6,3  | 10   | 16   | 25   | 35   | 50   |  |  |
|   | Tanδ                 | Ø4 ~ Ø10mm   | 0,28 | 0,24 | 0,20 | 0,16 | 0,13 | 0,12 |  |  |
|   |                      | Ø12,5 ~ Ø16mm  | 0,38 | 0,34 | 0,30 | 0,26 | 0,22 | 0,18 |  |  |

|  |               |                 |     |    |    |    |    |    |  |  |
|--|---------------|-----------------|-----|----|----|----|----|----|--|--|
| <b>Low Temperatur characteristics ( Impedance ratio at 120Hz )</b> | WV            |                 | 6,3 | 10 | 16 | 25 | 35 | 50 |  |  |
|  | Ø4 ~ Ø10mm    | Z-25°C / Z+20°C | 3   | 3  | 2  | 2  | 2  | 2  |  |  |
|  |               | Z-40°C / Z+20°C | 8   | 5  | 4  | 3  | 3  | 3  |  |  |
|  | Ø12,5 ~ Ø16mm | Z-25°C / Z+20°C | 5   | 4  | 3  | 2  | 2  | 2  |  |  |
| Z-40°C / Z+20°C  |               | 12              | 10  | 8  | 5  | 4  | 3  |    |  |  |

|  |  |                                   |
|--|--|-----------------------------------|
| <b>Load Life ( after application of the rated voltage for 1000hrs at 105°C</b> | Leakage current  | Less than specified value         |
|  | Capacitance Change   | Within ±25% of initial value      |
|  | Tanδ   | Less than 200% of specified value |
|  | Ø4 ~ Ø6,3x5,8; Ø8x6,2 : 2000hours  |                                   |
| <b>Shell life (at 105°C)</b>   | After 1000hours no load test, leakage current, capacitance and tanδ are same as load life value. |                                   |

**CHIP Long Life Assurance  
105°C 3000hrs**

Part No.: **I15006**

|       |        |      |        |        |        |           |           |      |            |
|-------|--------|------|--------|--------|--------|-----------|-----------|------|------------|
| DRW:  | Jason  | CHKD | Wilson | MATL:  | Wilson | TOLERANCE | Mason     | DATE | 19.06.2014 |
| APPD: | Schumi |      |        | FINISH | Jamy   |           | Sheet No. |      | 2 from 7   |

Customer:

# EDCON-COMPONENTS



Designed for surface mounting on high density circuit board

Emboss carrier tape packing systems is available for automatic insertion



|                                     |   |                                    |
|-------------------------------------|---|------------------------------------|
| <b>Resistance to soldering heat</b> | After reflow soldering and resistance at room temperature, they meet the characteristics requirements listed at underside |                                    |
|                                     | Leakage current   | Less than specified value          |
|                                     | Capacitance Change  | Within $\pm 10\%$ of initial value |
|                                     | Tan $\delta$  | Less than specified value          |

| FREQUENCY COEFFICIENT OF PERMISSIBLE RIPPLE CURRENT |               |           |       |       |      |              |
|---|---------------|-----------|-------|-------|------|--------------|
| Diameter  | Capacitance   | Frequency |       |       |      |              |
|   | $\mu\text{F}$ | 50Hz      | 120Hz | 300Hz | 1KHz | 10KHz $\leq$ |
| $\varnothing 4 \sim \varnothing 10\text{mm}$        | 0,1 ~100      | 0,70      | 1,00  | 1,17  | 1,36 | 1,50         |
|   | 150 ~1500     | 0,85      | 1,00  | 1,08  | 1,20 | 1,30         |
| $\varnothing 12,5 \sim \varnothing 16\text{mm}$     | ~470          | 0,75      | 1,00  | 1,35  | 1,57 | 2,00         |
|   | 680 ~3300     | 0,50      | 1,00  | 1,23  | 1,34 | 1,50         |
|   |               |           |       |       |      |              |

**CHIP Long Life Assurance  
105°C 3000hrs**

Part No.: **I15006**

|       |        |      |        |        |        |           |           |          |            |           |
|-------|--------|------|--------|--------|--------|-----------|-----------|----------|------------|-----------|
| DRW:  | Jason  | CHKD | Wilson | MATL:  | Wilson | TOLERANCE | Mason     | DATE     | 19.06.2014 | Customer: |
| APPD: | Schumi |      |        | FINISH | Jamy   |           | Sheet No. | 3 from 7 |            |           |

# EDCON-COMPONENTS



Designed for surface mounting on high density circuit board

Emboss carrier tape packing systems is available for automatic insertion

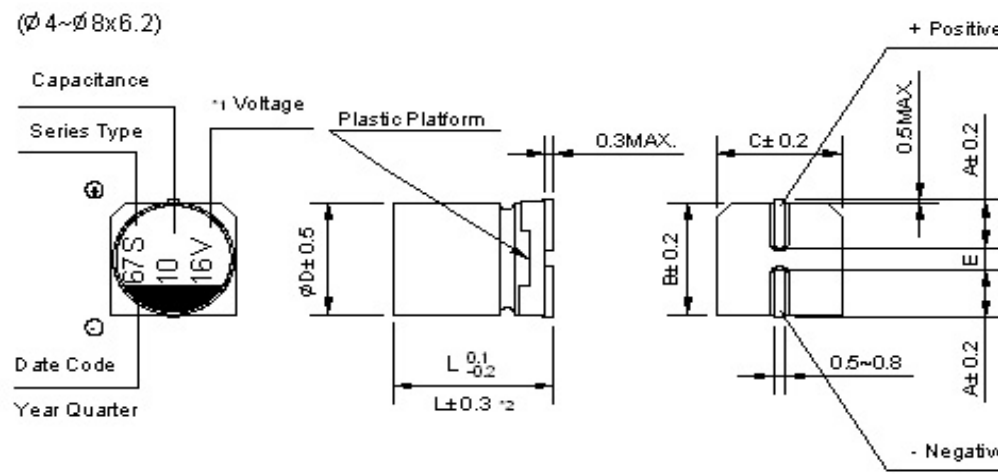


## Technical Drawing

### Dimension of Size $\varnothing$ 8x10,5 ~ 16mm



### Dimension of Size $\varnothing$ 4~ 8x6,2mm



| D x L    | $\varnothing$ 4 x 5,8 | $\varnothing$ 5 x 5,8 | $\varnothing$ 6,3 x 5,8 | $\varnothing$ 6,3 x 7,7 | $\varnothing$ 8 x 6,2 | $\varnothing$ 8 x 10,5 | $\varnothing$ 10 x 10,5 | $\varnothing$ 10 x 13,5 | $\varnothing$ 12,5 x 13,5 | $\varnothing$ 12,5 x 16 | $\varnothing$ 16 x 16,5 |
|----------|-----------------------|-----------------------|-------------------------|-------------------------|-----------------------|------------------------|-------------------------|-------------------------|---------------------------|-------------------------|-------------------------|
| A        | 2,0                   | 2,2                   | 2,6                     | 2,6                     | 3,4                   | 3,0                    | 3,3                     | 3,3                     | 4,9                       | 4,9                     | 5,8                     |
| B        | 4,3                   | 5,3                   | 6,6                     | 6,6                     | 8,4                   | 8,4                    | 10,4                    | 10,4                    | 13,0                      | 13,0                    | 17,0                    |
| C        | 4,3                   | 5,3                   | 6,6                     | 6,6                     | 8,4                   | 8,4                    | 10,4                    | 10,4                    | 13,0                      | 13,0                    | 17,0                    |
| E +/-0.2 | 1,0                   | 1,3                   | 1,9                     | 1,9                     | 2,3                   | 3,1                    | 4,7                     | 4,7                     | 4,7                       | 4,7                     | 6,4                     |
| L        | 5,8                   | 5,8                   | 5,8                     | 7,7                     | 6,2                   | 10,5                   | 10,5                    | 13,5                    | 13,5                      | 16,0                    | 16,5                    |

\*1 Voltage mark (6V) represents 6,3V for  $\varnothing$  4 ~ 10mm

\*3 (L +/- 0.5) is applicable to  $\varnothing$  8x10,5 ~  $\varnothing$  10mm

\*2 (L +/- 0.3) is applicable to  $\varnothing$  6,3 ~ 7.7 and  $\varnothing$  8 + 6,2mm

\*4 (L +/- 1.0) is applicable to  $\varnothing$  12,5 ~  $\varnothing$  16mm

RE. Date code and seriew type -1st digit for Year 2nd digit for Quarter, 4 quarter codes in one year area 1,4,7,0

3rd character for Serie S

**CHIP Long Life Assurance**  
**105°C 3000hrs**

Part No.: **I15006**

|       |        |      |        |        |        |           |           |          |            |           |
|-------|--------|------|--------|--------|--------|-----------|-----------|----------|------------|-----------|
| DRW:  | Jason  | CHKD | Wilson | MATL:  | Wilson | TOLERANCE | Mason     | DATE     | 19.06.2014 | Customer: |
| APPD: | Schumi |      |        | FINISH | Jamy   |           | Sheet No. | 4 from 7 |            |           |

[www.edcon-components.com](http://www.edcon-components.com)

email: [info@edcon-components.com](mailto:info@edcon-components.com)



# EDCON-COMPONENTS



Designed for surface mounting on high density circuit board

Emboss carrier tape packing systems is available for automatic insertion



## Ordering Informations

| Serie | Voltage Code | Tolerance Code | Range Code | Size Code D | Size Code L | Special function | ROHS | Packing Code |  |  |
|-------|--------------|----------------|------------|-------------|-------------|------------------|------|--------------|--|--|
|-------|--------------|----------------|------------|-------------|-------------|------------------|------|--------------|--|--|

|               |            |          |            |          |          |           |          |           |  |  |
|---------------|------------|----------|------------|----------|----------|-----------|----------|-----------|--|--|
| <b>I15006</b> | <b>160</b> | <b>M</b> | <b>470</b> | <b>C</b> | <b>1</b> | <b>XX</b> | <b>R</b> | <b>TR</b> |  |  |
|---------------|------------|----------|------------|----------|----------|-----------|----------|-----------|--|--|

|                         |                |                     |                   |                   |                        |  |  |  |  |
|-------------------------|----------------|---------------------|-------------------|-------------------|------------------------|--|--|--|--|
| look table Voltage Code | <b>M= ±20%</b> | Ordering Code Range | Look table Code D | Look table Code L | <b>XX= No function</b> | <b>R= ROHS Conform</b><br><b>N= NON ROHS Conform</b> | <b>TR= Tape Reel Packing</b><br><b>BU= Bulk-Ware</b> |  |  |
|-------------------------|----------------|---------------------|-------------------|-------------------|------------------------|--|--|--|--|

|                                 |               |
|---------------------------------|---------------|
| <b>CHIP Long Life Assurance</b> |               |
| <b>105°C 3000hrs</b>            |               |
| Part No.:                       | <b>I15006</b> |
| Customer:                       |               |

|       |        |      |        |        |        |           |           |      |            |
|-------|--------|------|--------|--------|--------|-----------|-----------|------|------------|
| DRW:  | Jason  | CHKD | Wilson | MATL:  | Wilson | TOLERANCE | Mason     | DATE | 19.06.2014 |
| APPD: | Schumi |      |        | FINISH | Jamy   |           | Sheet No. |      | 6 from 7   |

# EDCON-COMPONENTS



Designed for surface mounting on high density circuit board  
 Emboss carrier tape packing systems is available for automatic insertion



## Soldering Profile Curve

### Classification Reflow Profile (JEDEC J-STD-020C)



**CHIP Long Life Assurance  
 105°C 3000hrs**

Part No.: **I15006**

|       |        |      |        |        |        |           |           |          |            |
|-------|--------|------|--------|--------|--------|-----------|-----------|----------|------------|
| DRW:  | Jason  | CHKD | Wilson | MATL:  | Wilson | TOLERANCE | Mason     | DATE     | 19.06.2014 |
| APPD: | Schumi |      |        | FINISH | Jamy   |           | Sheet No. | 7 from 7 |            |

Customer: