



# DATA SHEET

## CHIP Low Leakage Current

### Serie: I15004

Voltage: 25Volt Range: 47 $\mu$ F

Impedance: 6,4 $\Omega$  Dimension 6,3x7,7mm

Ripple Current: 100mA

CHIP Low Leakage Current

Serie No.: **I15004**

DRW:	Jason	CHKD	Wilson	MATL:	Wilson	TOLERANCE	Mason	DATE	03.06.2014	Customer:
APPD:	Schumi			FINISH	Jamy			Sheet No.	1 from 7	

# EDCON-COMPONENTS



Designed for surface mounting on high density circuit board

Emboss carrier tape packing systems is available for automatic insertion



## Technical Informations

Voltage:	<b>25Volt</b>
Range;	<b>47µF</b>
Dimension; D x L mm	<b>6,3x7,7mm</b>
Impedance (Ω) max., at20°C, 100hKz	<b>6,4Ω</b>
Ripple Current (mA rms) at 105°C, 100kHz	<b>100mA</b>

Ordering Code			
<b>250</b>	<b>Voltage</b>		
<b>470</b>	<b>Range</b>		
<b>D=</b>	<b>C</b>	<b>L=</b>	<b>3</b>

- Low Leakgae current ( 0,5µA to 3,3µA max).
- Low cost for replacement of some tantalum applications
- Low Impedance with Operating Temperatur Range of -40°C ~ +85°C
- Load Life of 2000hours

<b>Leakage current max.</b>	I = 0,002CV or 0,5µA whichever is greater ( after 2 minutes)	
-----------------------------	--	--

<b>Capacitance tolerance</b>	± 20% at 120Hz, 20°C																
<b>Dissipation factor max. (at 120Hz, 20°C)</b>		WV															
	Tanδ	Ø4 ~ Ø6,3mm	6,3	10	16	25	35	50									
			0,24	0,20	0,16	0,14	0,12	0,10									

<b>Low Temperatur characteristics ( Impedance ratio at 120Hz )</b>		WV															
		Z-25°C / Z+20°C	6,3	10	16	25	35	50									
		Z-40°C / Z+20°C	4	3	2	2	2	2	3	3							

<b>Load Life ( after application of the rated voltage for 2000hrs at 85°C</b>	Leakage current	Less than specified value
	Capacitance Change	Within ±25% of initial value
	Tanδ	Less than 200% of specified value
	Ø4 ~ Ø6,3x5,4: 1000hours	

<b>CHIP Low Leakage Current</b>	
Part No.:	<b>I15004</b>

DRW:	Jason	CHKD	Wilson	MATL:	Wilson	TOLERANCE	Mason	DATE	03.06.2014	Customer:
APPD:	Schumi			FINISH	Jamy		Sheet No.	2 from 7		

# EDCON-COMPONENTS



Designed for surface mounting on high density circuit board  
 Emboss carrier tape packing systems is available for automatic insertion



\_\_\_\_\_

<b>Resistance to soldering heat</b>	After reflow soldering and resistance at room temperature, they meet the characteristics requirements listed at underside	
	Leakage current	Less than specified value
	Capacitance Change	Within $\pm 10\%$ of initial value
	Tan $\delta$	Less than specified value

FREQUENCY COEFFICIENT OF PERMISSIBLE RIPPLE CURRENT					
Frequency	50Hz	120Hz	300Hz	1KHz	10KHz $\leq$
Coefficient	0,70	1,00	1,17	1,36	1,50

<b>CHIP Low Leakage Current</b>
Part No.: <b>I15004</b>
Customer:

DRW:	Jason	CHKD	Wilson	MATL:	Wilson	TOLERANCE	Mason	DATE	03.06.2014
APPD:	Schumi			FINISH	Jamy		Sheet No.		3 from 7

# EDCON-COMPONENTS



Designed for surface mounting on high density circuit board

Emboss carrier tape packing systems is available for automatic insertion

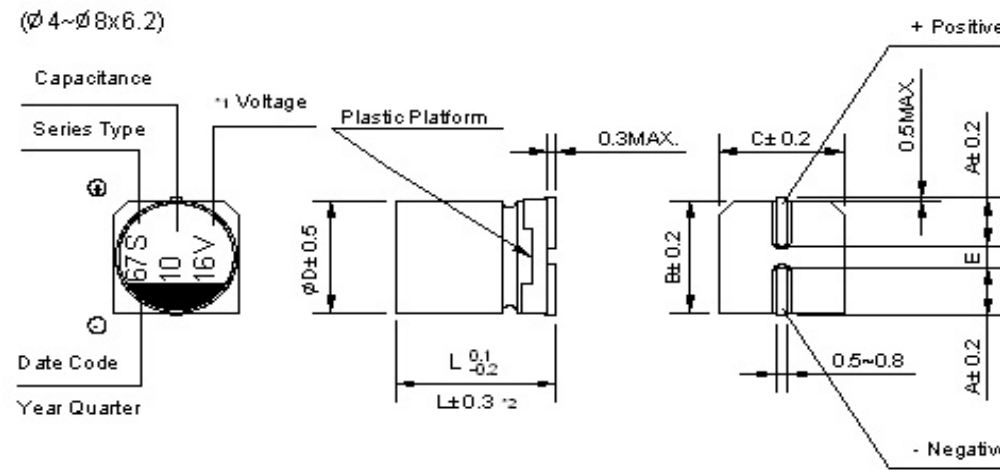


## Technical Drawing

### Dimension of Size Ø 8x10,5 ~ 16mm



### Dimension of Size Ø 4~ 8x6,2mm



D x L	Ø 4 x 5.4	Ø 5 x 5.4	Ø 6,3 x 5.4	Ø 6,3 x 7,7						
A	2,0	2,2	2,6	2,6						
B	4,3	5,3	6,6	6,6						
C	4,3	5,3	6,6	6,6						
E +/-0.2	1,0	1,3	1,9	1,9						
L	5,4	5,4	5,4	7,7						

\*1 Voltage mark (6V) represents 6,3V for Ø 4 ~ 10mm

\*3 (L +/- 0.5) is applicable to Ø 8x10,5 ~ Ø 10mm

\*2 (L +/- 0.3) is applicable to Ø 6,3 ~ 7.7 and Ø 8 + 6,2mm

\*4 (L +/- 1.0) is applicable to Ø 12,5 ~ Ø 16mm

RE. Date code and seriew type -1st digit for Year 2nd digit for Quarter, 4 quarter codes in one year area 1,4,7,0

3rd character for Serie S

**CHIP Low Leakage Current**

Part No.: **I15004**

DRW:	Jason	CHKD	Wilson	MATL:	Wilson	TOLERANCE	Mason	DATE	03.06.2014	Customer:
APPD:	Schumi			FINISH	Jamy		Sheet No.	4 from 7		

[www.edcon-components.com](http://www.edcon-components.com)

email: [info@edcon-components.com](mailto:info@edcon-components.com)

# EDCON-COMPONENTS



Designed for surface mounting on high density circuit board  
 Emboss carrier tape packing systems is available for automatic insertion



Voltage Ordering Code	Code
4,0	4V0
6,3	6V3
10	100
16	160
25	250
35	350
50	500
63	630
80	800
100	101

Diameter ordering Code D	Code
3mm	3
4mm	A
5mm	B
6,3mm	C
8mm	E
10mm	G
12,5mm	I
16mm	K

Height ordering Code L	Code
4mm	A
5,4mm	0
5,8mm	1
6,2mm	2
7,7mm	3
10,5mm	4
13,5mm	5
16mm	6
16,5mm	7

<b>CHIP Low Leakage Current</b>
Part No.: <b>I15004</b>
Customer:

DRW:	Jason	CHKD	Wilson	MATL:	Wilson	TOLERANCE	Mason	DATE	03.06.2014
APPD:	Schumi			FINISH	Jamy		Sheet No.		5 from 7

[www.edcon-components.com](http://www.edcon-components.com)

email: info@edcon-components.com

# EDCON-COMPONENTS



Designed for surface mounting on high density circuit board

Emboss carrier tape packing systems is available for automatic insertion



## Ordering Informations

Serie	Voltage Code	Tolerance Code	Range Code	Size Code D	Size Code L	Special function	ROHS	Packing Code		
-------	--------------	----------------	------------	-------------	-------------	------------------	------	--------------	--	--

<b>I15004</b>	<b>250</b>	<b>M</b>	<b>470</b>	<b>C</b>	<b>3</b>	<b>XX</b>	<b>R</b>	<b>TR</b>		
---------------	------------	----------	------------	----------	----------	-----------	----------	-----------	--	--

look table Voltage Code	<b>M= ±20%</b>	Ordering Code Range	Look table Code D	Look table Code L	<b>XX= No function</b>	<b>R= ROHS Conform</b> <b>N= NON ROHS Conform</b>	<b>TR= Tape Reel Packing</b> <b>BU= Bulk-Ware</b>		
-------------------------	----------------	---------------------	-------------------	-------------------	------------------------	--	--	--	--

<b>CHIP Low Leakage Current</b>	
Part No.:	<b>I15004</b>
Customer:	

DRW:	Jason	CHKD	Wilson	MATL:	Wilson	TOLERANCE	Mason	DATE	03.06.2014
APPD:	Schumi			FINISH	Jamy		Sheet No.		6 from 7

# EDCON-COMPONENTS



Designed for surface mounting on high density circuit board  
 Emboss carrier tape packing systems is available for automatic insertion



## Soldering Profile Curve

### Classification Reflow Profile (JEDEC J-STD-020C)



<b>CHIP Low Leakage Current</b>	
Part No.:	<b>I15004</b>
Customer:	

DRW:	Jason	CHKD:	Wilson	MATL:	Wilson	TOLERANCE:	Mason	DATE:	03.06.2014
APPD:	Schumi			FINISH:	Jamy		Sheet No.		7 from 7