

Data Sheet

INVERTED Pluggable Terminal Block

Pitch: 7,62 mm

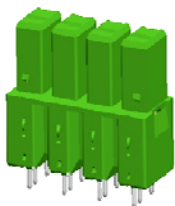
Serie: A14R051

Customer Information for special Item

EDCON Customer : 0

Customer Version No. : 0

EDCON-COMPONENTS



Technical Discription

Drawing (Dimension in mm)

Electrical		Approvals	No. of Pos.	L	P			Tol.
	UR/UL	IEC	02	15,24	7,62			± 0,20
			03	22,86	15,24			± 0,20
Rated Voltage	300V		04	30,48	22,86			± 0,20
Rated Current	41A		05	38,10	30,48			± 0,20
Withstanding Voltage	1,6KV		06	45,72	38,10			± 0,30
			07	53,34	45,72			± 0,30
			08	60,96	53,34			± 0,30
Insulation Resistance		5000MΩ / 1000V	09	68,58	60,96			± 0,35
			10	76,20	68,58			± 0,35
Mechanical			11	83,82	76,20			± 0,35
Operating Temperature		-40°C ~ +115°C	12	91,44	83,82			± 0,35
			13	99,06	91,44			± 0,35
			14	106,68	99,06			± 0,40
			15	114,30	106,68			± 0,40
			16	121,92	114,30			± 0,40
Dimensions								
Pitch (mm)		7,62						
Poles		2 ~ 16 Pos.						
Materials								
Terminal Housing		Thermoplastic, UL94V-0						
Pin Header		Copper / Tin Plated						
Wire Guard		Stainless Steel						

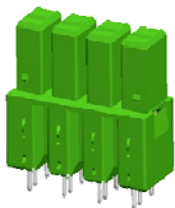
INVERTED Pluggable Terminal Block

Part No.: **A14R051**

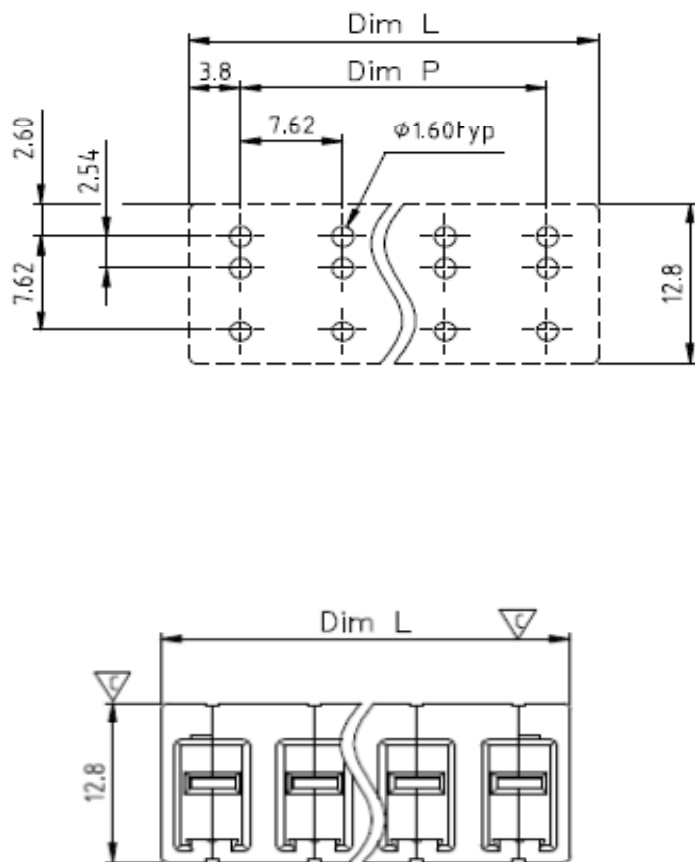
Customer:

DRW:	Jason	CHKD	Wilson	MATL:	Wilson	TOLERANCE	Mason	DATE	16.03.2017
APPD:	Schumi			FINISH	Jamy		Sheet No.	1 from 4	

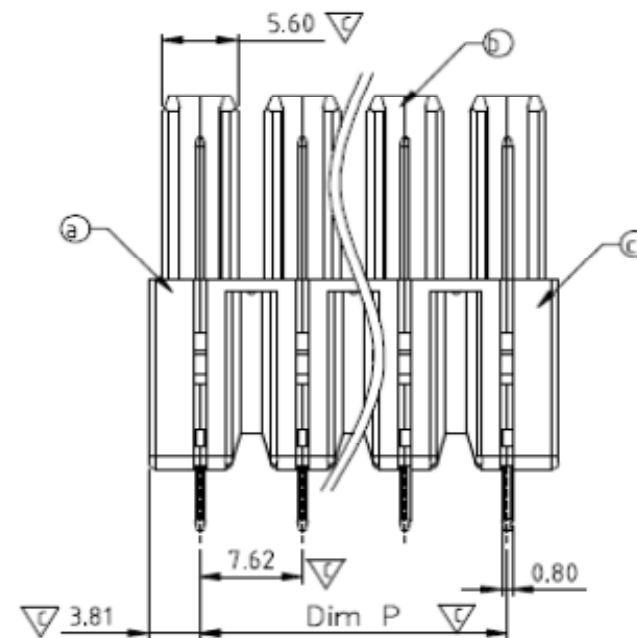
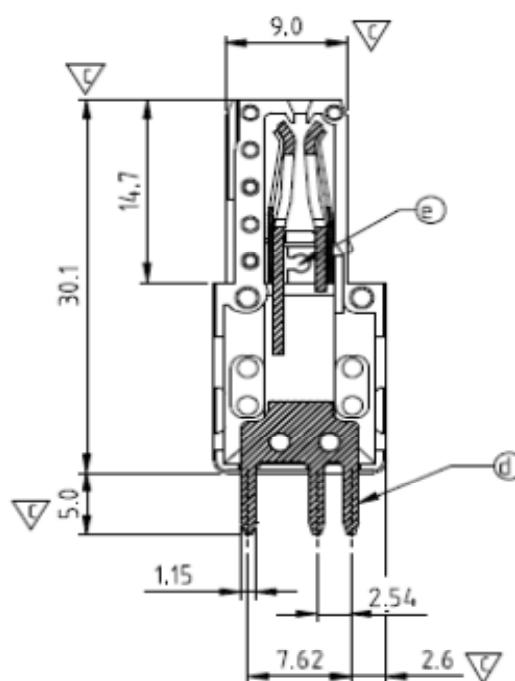
EDCON-COMPONENTS



PCB Layout



Dimensions (mm)



INVERTED Pluggable Terminal Block

Part No.: **A14R051**

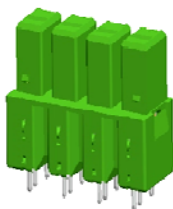
Customer:

DRW:	Jason	CHKD	Wilson	MATL:	Wilson	TOLERANCE	Mason	DATE	16.03.2017
APPD:	Schumi			FINISH	Jamy		Sheet No.	2 from 4	

www.edcon-components.com

email: info@edcon-components.com

EDCON-COMPONENTS



Ordering Informations

Serie	No. of Pos.	Body Color	No Function	Approval Code	ROHS	Packing	EDCON Cust. No.	Customer Version		
-------	-------------	------------	-------------	---------------	------	---------	-----------------	------------------	--	--

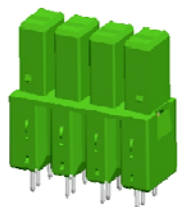
A14R051	02	PG	N	N	R	B				
----------------	-----------	-----------	----------	----------	----------	----------	--	--	--	--

Pitch 7,62	02 = Number of Pos.	PG = Phoenix Green (Standard)	N = No function	N = NON Approval	R = ROHS Conform	B = Bulk-Ware	xxxxxx = Customer Number	xxx = Customer Version		
---------------	----------------------------	--------------------------------------	------------------------	-------------------------	-------------------------	----------------------	---------------------------------	-------------------------------	--	--

Standard 2 ~16 Pos.	WH = White	A = UL /UR Approval Please consult EDCON for available B = VDE Approval Please consult EDCON for available C = TÜV Approval Please consult EDCON for available	N = NON ROHS Conform I = Individual Package	xxx = Customer Version ??(Printing) or anythink else
	GN = Green			
	GY = Gray			
	LG = Light Gray			
	OR = Orange			
	BL = Blue			
	BK = Black			

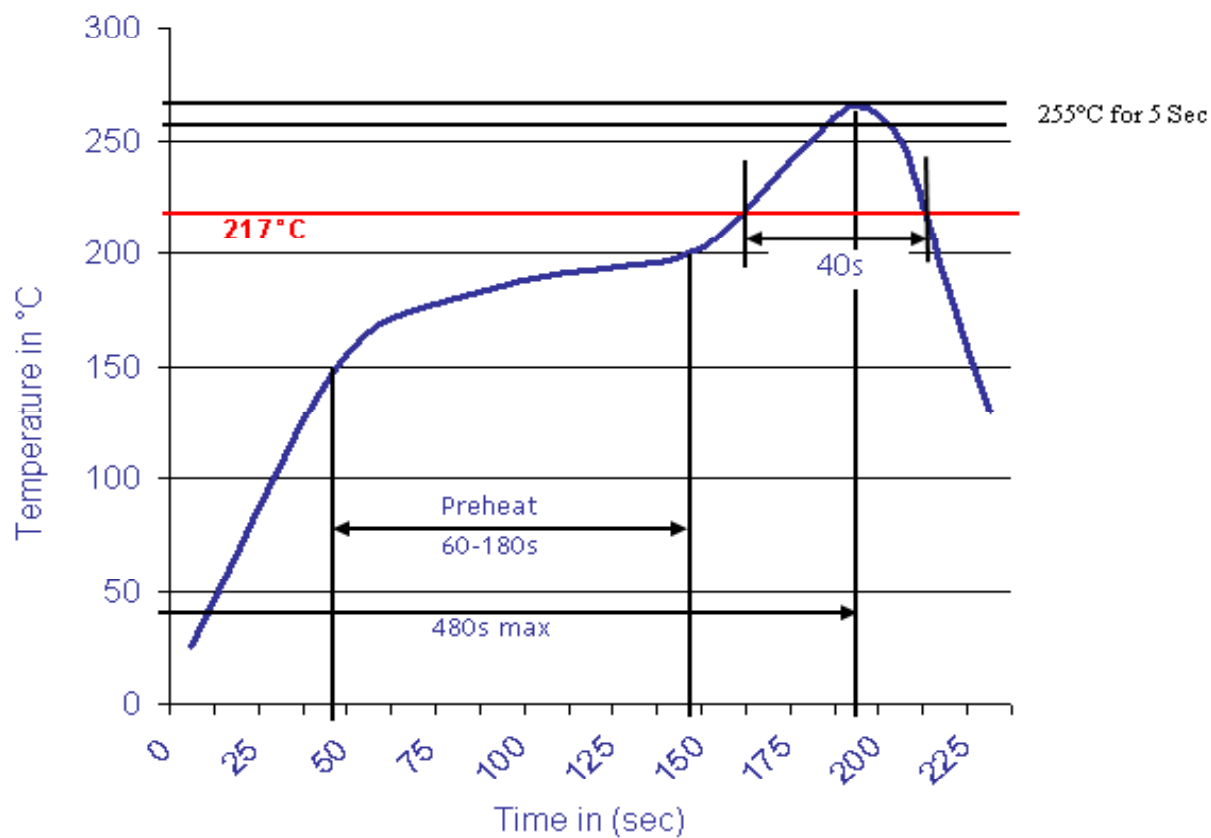
INVERTED Pluggable Terminal Block	
Part No.:	A14R051
Customer:	

DRW:	Jason	CHKD	Wilson	MATL:	Wilson	TOLERANCE	Mason	DATE	16.03.2017
APPD:	Schumi			FINISH	Jamy			Sheet No.	3 from 4



Soldering Profile Curve

Classification Reflow Profile (JEDEC J-STD-020C)



INVERTED Pluggable Terminal Block

Part No.: **A14R051**

Customer:

DRW:	Jason	CHKD	Wilson	MATL:	Wilson	TOLERANCE	Mason	DATE	16.03.2017
APPD:	Schumi			FINISH	Jamy		Sheet No.	4 from 4	