

Data Sheet

Pluggable Terminal Block (Plug)

Pitch: 7,62 mm

Serie: A14R034

Customer Information for special Item

EDCON Customer : 0

Customer Version No. : 0

EDCON-COMPONENTS



Technical Discription

Drawing (Dimension in mm)

Approvals

UR/US

Electrical

Rated Voltage	300V
Rated Current	32A
Wire Range	1,0mm ²
Solid Wire	8 ~ 24
Standed Wire	8 ~ 24
Withstanding Voltage	1,6KV
Insulation Resistance	5000MΩ / 1000V

Mechanical

Operating Temperature	-40°C ~ +115°C
Wire Strip Length	10-11mm
Screw Torque	7 LB-In
Screw Size	M3,5

Dimensions

Pitch (mm)	7,62
Poles	2 ~ 16 Pos.

Materials

Terminal Housing	Thermoplastic, UL94V-0
Clamp	Brass Ni-plated
Female Contact	Copper tin-plated
Wire Guard	Stainless Steel
Screw	Steel Ni-plated / Zinc plated

No. of Pos.	L	P			Tol. B
02	22,84	7,62			± 0,15
03	30,46	15,24			± 0,15
04	38,08	22,86			± 0,15
05	45,70	30,48			± 0,20
06	53,32	38,10			± 0,20
07	60,94	45,72			± 0,20
08	68,56	53,34			± 0,20
09	76,18	60,96			± 0,30
10	83,80	68,58			± 0,30
11	91,42	76,20			± 0,30
12	99,04	83,82			± 0,30
13	106,66	91,44			± 0,40
14	114,28	99,06			± 0,40
15	121,90	106,68			± 0,40
16	129,52	114,30			± 0,40

**Pluggable Terminal Block
(Plug)**

Part No.: **A14R034**

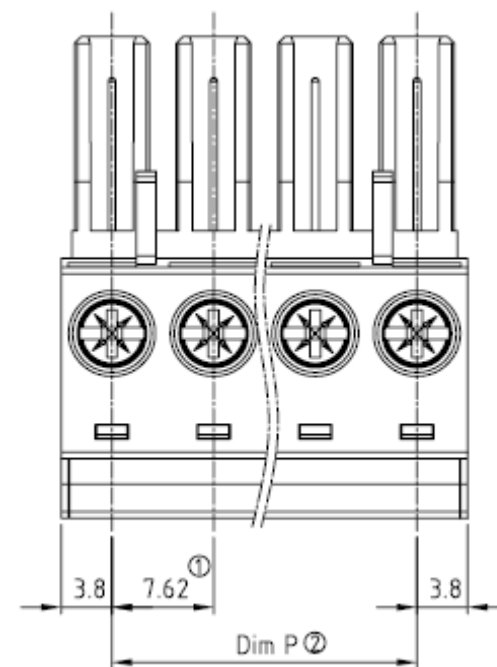
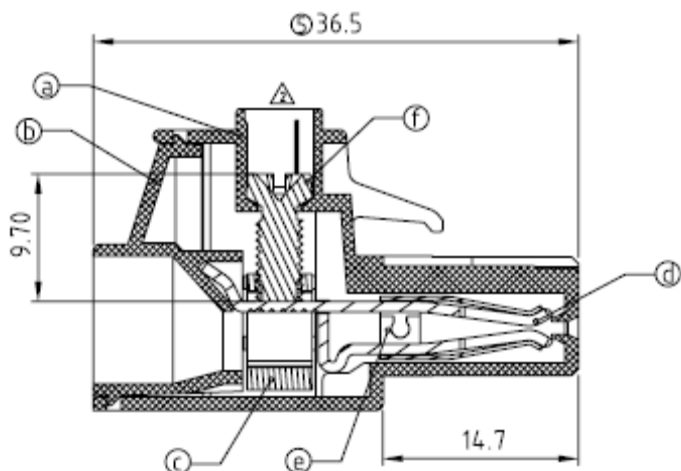
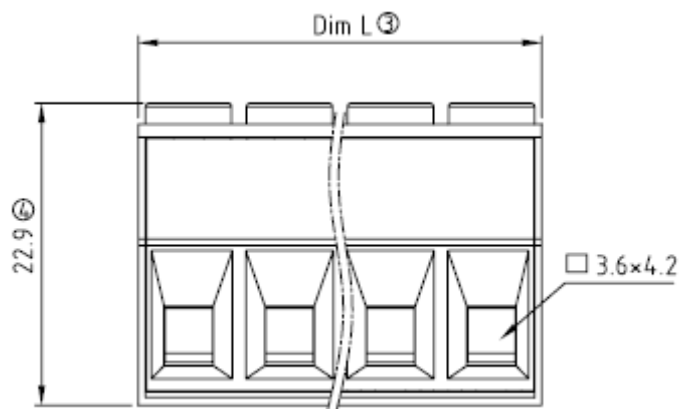
DRW:	Jason	CHKD	Wilson	MATL:	Wilson	TOLERANCE	Mason	DATE	03.02.2011
APPD:	Schumi			FINISH	Jamy		Sheet No.		1 from 3

Customer:

EDCON-COMPONENTS



Drawing (Dimension in mm)



**Pluggable Terminal Block
(Plug)**

Part No.: **A14R034**

Customer:

DRW:	Jason	CHKD	Wilson	MATL:	Wilson	TOLERANCE	Mason	DATE	03.02.2011
APPD:	Schumi			FINISH	Jamy		Sheet No.	2 from 3	

www.edcon-components.com

email: info@edcon-components.com

EDCON-COMPONENTS



Ordering Informations

Serie	No. of Pos.	Body Color	Screw Type	Approval Code	ROHS	Packing	EDCON Cust. No.	Customer Version		
A14R034	02	PG	A	N	R	B				

Pitch 7,62	02 = Number of Pos. Standard 2 ~ 24Pos.	PG = Phoenix Green (Standard) WH = White GN = Green GY = Gray LG = Light Gray OR = Orange BL = Blue BK = Black	A = Slotted Screw Type (Standard) B = Cross Slotted Screw Type 	N = NON Approval A = UL /UR Approval Please consult EDCON for available B = VDE Approval Please consult EDCON for available C = TÜV Approval Please consult EDCON for available	R = ROHS Conform N = NON ROHS Conform	B = Bulk-Ware I = Individual Package	xxxxxx = Customer Number xxx = Customer Version ??(Printing)
---------------	---	---	---	--	--	---	---

Pluggable Terminal Block (Plug)	
Part No.:	A14R034
Customer:	

DRW:	Jason	CHKD	Wilson	MATL:	Wilson	TOLERANCE	Mason	DATE	03.02.2011
APPD:	Schumi			FINISH	Jamy		Sheet No.	3 from 3	