

Data Sheet

MALE Pluggable Terminal Block

Pitch: 7,62 mm

Serie: A14R031

Customer Information for special Item

EDCON Customer : 0

Customer Version No. : 0

EDCON-COMPONENTS



Technical Discription

Drawing (Dimension in mm)

Electrical			Approvals			No. of Pos.	L	C	B	Tol.
	UR/UL		IEC			02	15,24	7,62	7,62	± 0,20
Rated Voltage	300V					03	22,86	15,24	15,24	± 0,20
Rated Current	41A					04	30,48	22,86	22,86	± 0,20
Withstanding Voltage	1,6KV					05	38,10	30,48	30,48	± 0,20
						06	45,72	38,10	38,10	± 0,30
						07	53,34	45,72	45,72	± 0,30
						08	60,96	53,34	53,34	± 0,30
Insulation Resistance			5000MΩ / 1000V			09	68,58	60,96	60,96	± 0,35
						10	76,20	68,58	68,58	± 0,35
Mechanical						11	83,82	76,20	76,20	± 0,35
Operating Temperature			-40°C ~ +115°C			12	91,44	83,82	83,82	± 0,35
						13	99,06	91,44	91,44	± 0,35
						14	106,68	99,06	99,06	± 0,40
						15	114,30	106,68	106,68	± 0,40
						16	121,92	114,30	114,30	± 0,40
Dimensions										
Pitch (mm)			7,62							
Poles			2 ~ 16 Pos.							
Materials										
Terminal Housing			Thermoplastic, UL94V-0							
Pin Header			Copper / Tin Plated							

MALE Pluggable Terminal Block

Part No.: **A14R031**

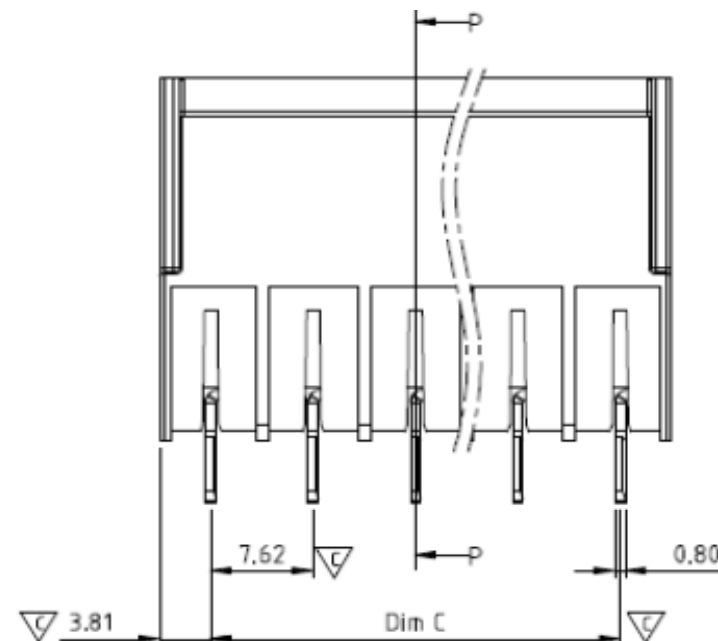
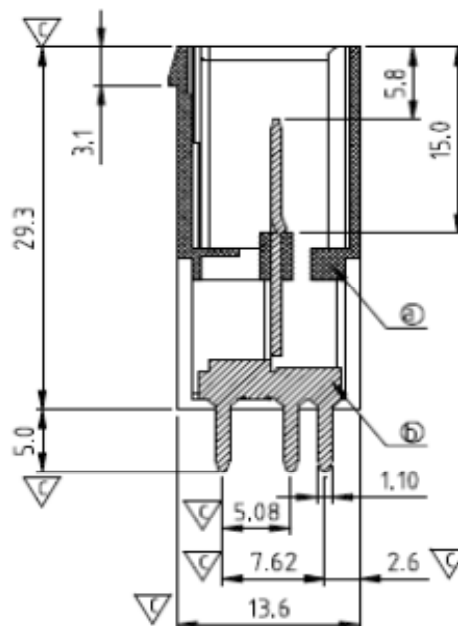
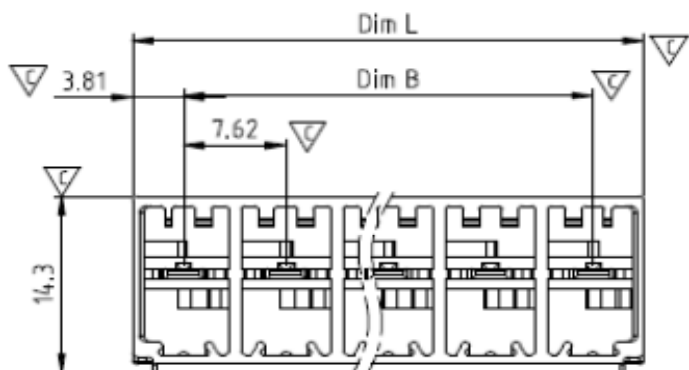
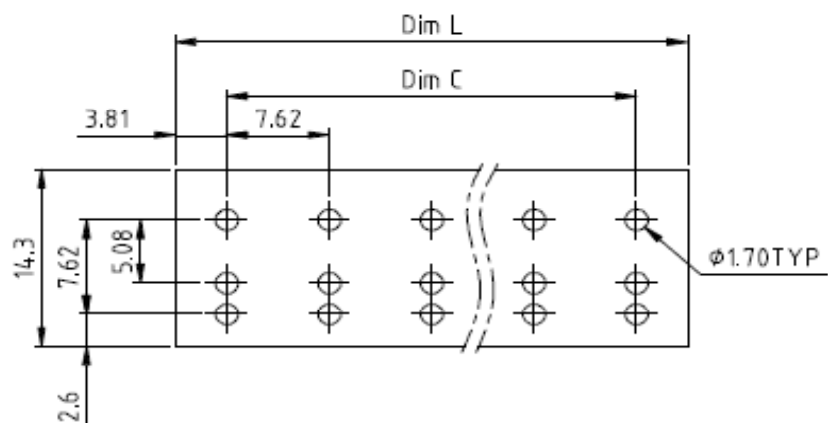
DRW:	Jason	CHKD	Wilson	MATL:	Wilson	TOLERANCE	Mason	DATE	16.03.2017	Customer:
APPD:	Schumi			FINISH	Jamy		Sheet No.	1 from 4		

EDCON-COMPONENTS



PCB Layout

Dimensions (mm)



MALE Pluggable Terminal Block

Part No.: **A14R031**

Customer:

DRW:	Jason	CHKD	Wilson	MATL:	Wilson	TOLERANCE	Mason	DATE	16.03.2017
APPD:	Schumi			FINISH	Jamy		Sheet No.	2 from 4	

www.edcon-components.com

email: info@edcon-components.com

EDCON-COMPONENTS



Ordering Informations

Serie	No. of Pos.	Body Color	No Function	Approval Code	ROHS	Packing	EDCON Cust. No.	Customer Version		
-------	-------------	------------	-------------	---------------	------	---------	-----------------	------------------	--	--

A14R031	02	PG	N	N	R	B				
----------------	-----------	-----------	----------	----------	----------	----------	--	--	--	--

Pitch 7,62	02 = Number of Pos.	PG = Phoenix Green (Standard)	N = No function	N = NON Approval	R = ROHS Conform	B = Bulk-Ware	xxxxxx = Customer Number	xxx = Customer Version ??(Printing) or anything else
---------------	----------------------------	--------------------------------------	------------------------	-------------------------	-------------------------	----------------------	---------------------------------	--

Standard 2 ~16 Pos.	WH = White	A = UL /UR Approval Please consult EDCON for available B = VDE Approval Please consult EDCON for available C = TÜV Approval Please consult EDCON for available	N = NON ROHS Conform I = Individual Package
	GN = Green		
	GY = Gray		
	LG = Light Gray		
	OR = Orange		
	BL = Blue		
	BK = Black		

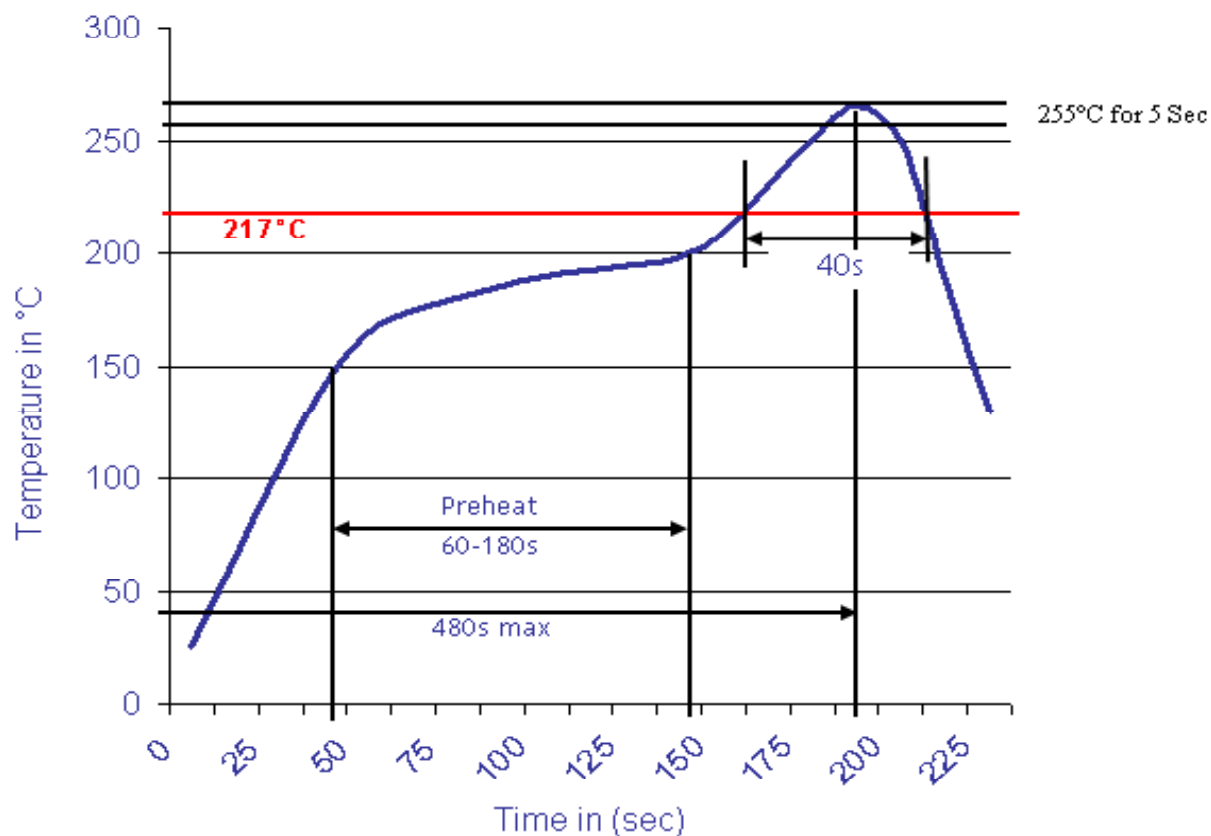
MALE Pluggable Terminal Block	
Part No.:	A14R031
Customer:	

DRW:	Jason	CHKD	Wilson	MATL:	Wilson	TOLERANCE	Mason	DATE	16.03.2017
APPD:	Schumi			FINISH	Jamy		Sheet No.		3 from 4



Soldering Profile Curve

Classification Reflow Profile (JEDEC J-STD-020C)



MALE Pluggable Terminal Block

Part No.: **A14R031**

Customer:

DRW:	Jason	CHKD	Wilson	MATL:	Wilson	TOLERANCE	Mason	DATE	16.03.2017
APPD:	Schumi			FINISH	Jamy		Sheet No.	4 from 4	