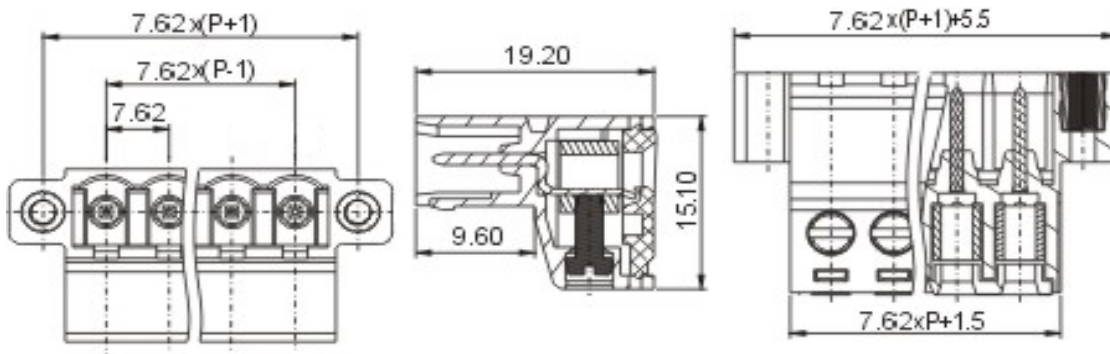


# EDCON-COMPONENTS



## Drawing



## P.C.B. Layout

## Specification

APPROVAL	ULus	CE
<b>Electrical</b>		
Standard	UL	IEC
Rated voltage	300V	320V
Rated current	15A	20A
Wire range	28-12 AWG	2.5mm <sup>2</sup>
Withstanding voltage	AC 2500V/1min	
<b>Mechanical</b>		
Ambient temperature	-40°C ~ +105°C	
Torque	M2.5, 0.4Nm (3.5Lb-In.)	
Strip length	7mm	
<b>Dimensions</b>		
Pitch	7.62mm	
Poles	2P - 22P	2P - 12P
<b>Material</b>		
Housing	PA66 (UL94V-0)	
Contact	Copper	
Cage	Brass, Ni plated	
Nut	M2.5, Brass	



## Certification



Pluggable Terminal Block /  
Pitch 7.62mm

Part No.: A14R023

Customer:

DRW:	Bill	CHKD	Lord	MATL:	Jimmy	TOLERANCE	Sam	DATE	14.3.2009
APPD:	Louis			FINISH	Georg		Sheet No.		1 from 3

[www.edcon-components.com](http://www.edcon-components.com)

email: [info@edcon-components.com](mailto:info@edcon-components.com)

# EDCON-COMPONENTS



## Ordering Informations

Serie	-	No. of Pole	Body-Color	-	Customer Request
A14R023	-	XX	XX	-	X

XX = total	WH - white
02	GN - green
...	GR - gray
22	LG - light gray
	PG - Phoenix Green
	OR - orange
	BL - blue
	BK - black



**Certification**



Pluggable Terminal Block /  
Pitch 7.62mm

Part No.: A14R023

Customer:

DRW:	Bill	CHKD	Lord	MATL:	Jimmy	TOLERANCE	Sam	DATE	14.3.2009
APPD:	Louis			FINISH	Georg			Sheet No.	2 from 3

[www.edcon-components.com](http://www.edcon-components.com)

email: [info@edcon-components.com](mailto:info@edcon-components.com)

# EDCON-COMPONENTS



## Soldering - Profil

### Classification Reflow Profile (JEDEC J-STD-020C)



Pluggable Terminal Block /  
Pitch 7.62mm

Part No.: A14R023

Customer:

DRW:	Bill	CHKD	Lord	MATL:	Jimmy	TOLERANCE	Sam	DATE	14.3.2009
APPD:	Louis			FINISH	Georg		Sheet No.	3 from 3	

[www.edcon-components.com](http://www.edcon-components.com)

email: [info@edcon-components.com](mailto:info@edcon-components.com)