

# Data Sheet

## Pluggable Terminal Block

**Pitch: 7,62 mm**

**Serie: A14R011**

### Customer Information for special Item

**EDCON Customer : 0**

**Customer Version No. : 0**

# EDCON-COMPONENTS



## Technical Description

## Drawing (Dimension in mm)

### Electrical

Standard	UL	IEC
Rated voltage	300V	320V, 400V
Rated current	15A	10A
Wire range	28-12 AWG	2.5mm <sup>2</sup>
Withstanding voltage	AC 2500V/1min	

### Mechanical

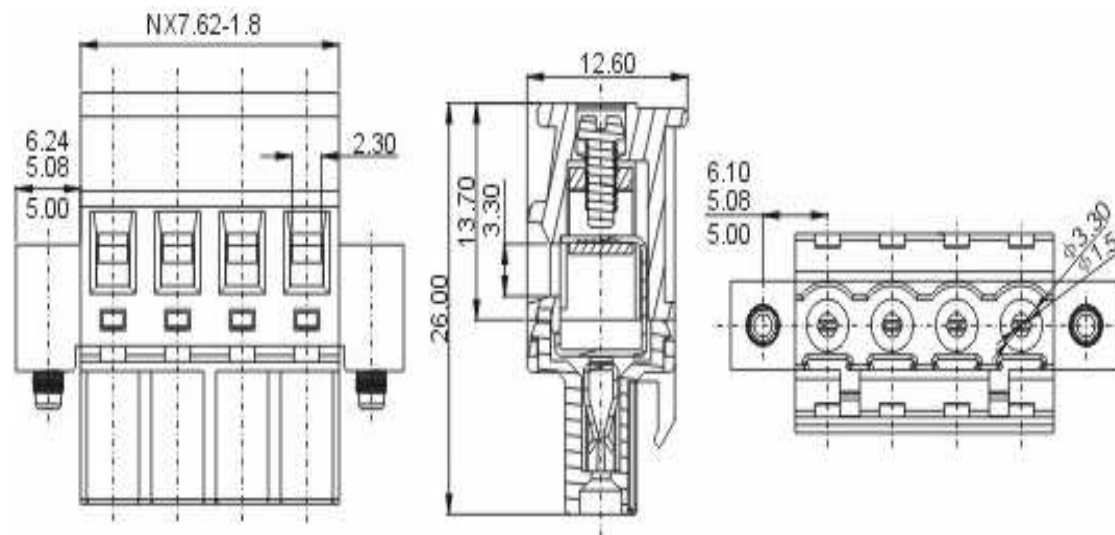
Ambient temperature	-40°C ~ +105°C
Strip length	7mm
Screw, Torque	M2.5, 0.4Nm (3.5Lb-In.)

### Dimensions

Pitch	7.62mm
Poles	2P - 22P   2P - 12P

### Material

Housing	PA66 (UL94V-0)
Contact	Phosphor Bronze
Cage	Brass, Ni plated
Terminal screw	steel, Cr <sup>3+</sup> Zn plated



### Pluggable Terminal Block

Part No.: **A14R011**

Customer:

DRW:	Jason	CHKD	Wilson	MATL:	Wilson	TOLERANCE	Mason	DATE	26.05.2014
APPD:	Schumi			FINISH	Jamy		Sheet No.	1 from 4	

[www.edcon-components.com](http://www.edcon-components.com)

email: [info@edcon-components.com](mailto:info@edcon-components.com)

# EDCON-COMPONENTS



PCB Layout (Dimension in mm)

Dimensions (mm)

No. of Pos.	A	Tol. P
02	18,44	± 0,35
03	26,06	± 0,35
04	33,68	± 0,35
05	41,30	± 0,35
06	48,92	± 0,35
07	56,54	± 0,35
08	64,16	± 0,35
09	71,78	± 0,35
10	79,40	± 0,35
11	87,02	± 0,35
12	94,64	± 0,35
13	102,26	± 0,35
14	109,88	± 0,35
15	117,50	± 0,35
16	125,12	± 0,35
17	132,74	± 0,35
18	140,36	± 0,35
19	147,98	± 0,35
20	155,60	± 0,35
21	163,22	± 0,35
22	170,84	± 0,35
23	178,46	± 0,35
24	186,08	± 0,35

**Pluggable Terminal Block**

Part No.: **A14R011**

DRW:	Jason	CHKD	Wilson	MATL:	Wilson	TOLERANCE	Mason	DATE	26.05.2014	Customer:
APPD:	Schumi			FINISH	Jamy		Sheet No.	2 from 4		

# EDCON-COMPONENTS



## Ordering Informations

Serie	No. of Pos.	Body Color	Approval	Approval Code	ROHS	Packing	EDCON Cust. No.	Customer Version		
-------	-------------	------------	----------	---------------	------	---------	-----------------	------------------	--	--

<b>A14R011</b>	-	<b>02</b>	<b>GN</b>	<b>N</b>	<b>N</b>	<b>R</b>	<b>B</b>			
----------------	---	-----------	-----------	----------	----------	----------	----------	--	--	--

Pitch: 7,62
----------------

02= Number of Pos. Standard 2 ~ 24Pos.	GY= Gray (Standard)	N= No Approval	N= NON Approval	R= ROHS Conform	B= Standard Package	xxxxxx= Customer Number	xxx= Customer Version ??(Printing)
		1= Approval for Material	A= UL /UR Approval Please consult EDCON for available	N= NON ROHS Conform	I= Individual Package		
	GN= Green	2= Approval for Terminal Block	B= VDE Approval Please consult EDCON for available				
	OR= Orange		C= TÜV Approval Please consult EDCON for available				
	BK= Black						

<b>Pluggable Terminal Block</b>	
Part No.:	<b>A14R011</b>
Customer:	

DRW:	Jason	CHKD	Wilson	MATL:	Wilson	TOLERANCE	Mason	DATE	26.05.2014
APPD:	Schumi			FINISH	Jamy		Sheet No.	3 from 4	



Soldering Profile Curve

Classification Reflow Profile (JEDEC J-STD-020C)



**Pluggable Terminal Block**

Part No.: **A14R011**

Customer:

DRW:	Jason	CHKD	Wilson	MATL:	Wilson	TOLERANCE	Mason	DATE	26.05.2014
APPD:	Schumi			FINISH	Jamy		Sheet No.	4 from 4	