

Data Sheet

Pluggable Terminal Block

Pitch: 7,62 mm

Serie: A14R010

Customer Information for special Item

EDCON Customer : 0

Customer Version No. : 0

EDCON-COMPONENTS



Technical Discription

Drawing (Dimension in mm)

Electrical

Standard	UL	IEC
Rated voltage	300V	320V, 400V
Rated current	15A	10A
Wire range	28-12 AWG	2.5mm ²
Withstanding voltage	AC 2500V/1min	

Mechanical

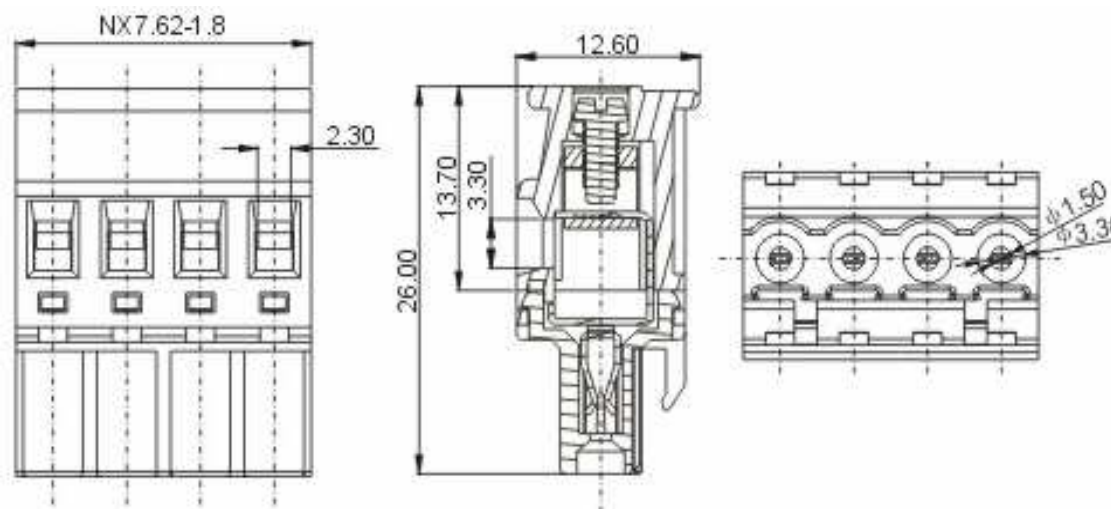
Ambient temperature	-40°C ~ +105°C
Strip length	7mm
Screw, Torque	M2.5, 0.4Nm (3.5Lb-In.)

Dimensions

Pitch	7.62mm
Poles	2P - 24P 2P - 12P

Material

Housing	PA66 (UL94V-0)
Contact	Phosphor Bronze
Cage	Brass, Ni plated
Terminal screw	steel, Cr ³⁺ Zn plated



Pluggable Terminal Block

Part No.: **A14R010**

DRW:	Jason	CHKD	Wilson	MATL:	Wilson	TOLERANCE	Mason	DATE	26.05.2014
APPD:	Schumi			FINISH	Jamy		Sheet No.		1 from 4

Customer:

EDCON-COMPONENTS



PCB Layout (Dimension in mm)

Dimensions (mm)

No. of Pos.	A	Tol. P
02	22,86	± 0,35
03	30,48	± 0,35
04	38,10	± 0,35
05	45,72	± 0,35
06	53,34	± 0,35
07	60,96	± 0,35
08	68,58	± 0,35
09	76,20	± 0,35
10	83,82	± 0,35
11	91,44	± 0,35
12	99,06	± 0,35
13	106,68	± 0,35
14	114,30	± 0,35
15	121,92	± 0,35
16	129,54	± 0,35
17	137,16	± 0,35
18	144,78	± 0,35
19	152,40	± 0,35
20	160,02	± 0,35
21	167,64	± 0,35
22	175,26	± 0,35
23	182,88	± 0,35
24	190,50	± 0,35

Pluggable Terminal Block

Part No.: **A14R010**

DRW:	Jason	CHKD	Wilson	MATL:	Wilson	TOLERANCE	Mason	DATE	26.05.2014	Customer:
APPD:	Schumi			FINISH	Jamy		Sheet No.	2 from 4		

EDCON-COMPONENTS



Ordering Informations

Serie	No. of Pos.	Body Color	Approval	Approval Code	ROHS	Packing	EDCON Cust. No.	Customer Version		
-------	-------------	------------	----------	---------------	------	---------	-----------------	------------------	--	--

A14R010	02	GN	N	N	R	B				
----------------	-----------	-----------	----------	----------	----------	----------	--	--	--	--

Pitch	02= Number of Pos.	GY= Gray (Standard)	N= No Approval	N= NON Approval	R= ROHS Conform	B= Standard Package	xxxxxx= Customer Number	xxx= Customer Version ??(Printing)
-------	--------------------	---------------------	----------------	-----------------	-----------------	---------------------	-------------------------	------------------------------------

7,62	Standard 2 ~ 24Pos.		1= Approval for Material	A= UL /UR Approval Please consult EDCON for available	N= NON ROHS Conform	I= Individual Package		
		GN= Green	2= Approval for Terminal Block	B= VDE Approval Please consult EDCON for available				
		OR= Orange		C= TÜV Approval Please consult EDCON for available				
		BK= Black						

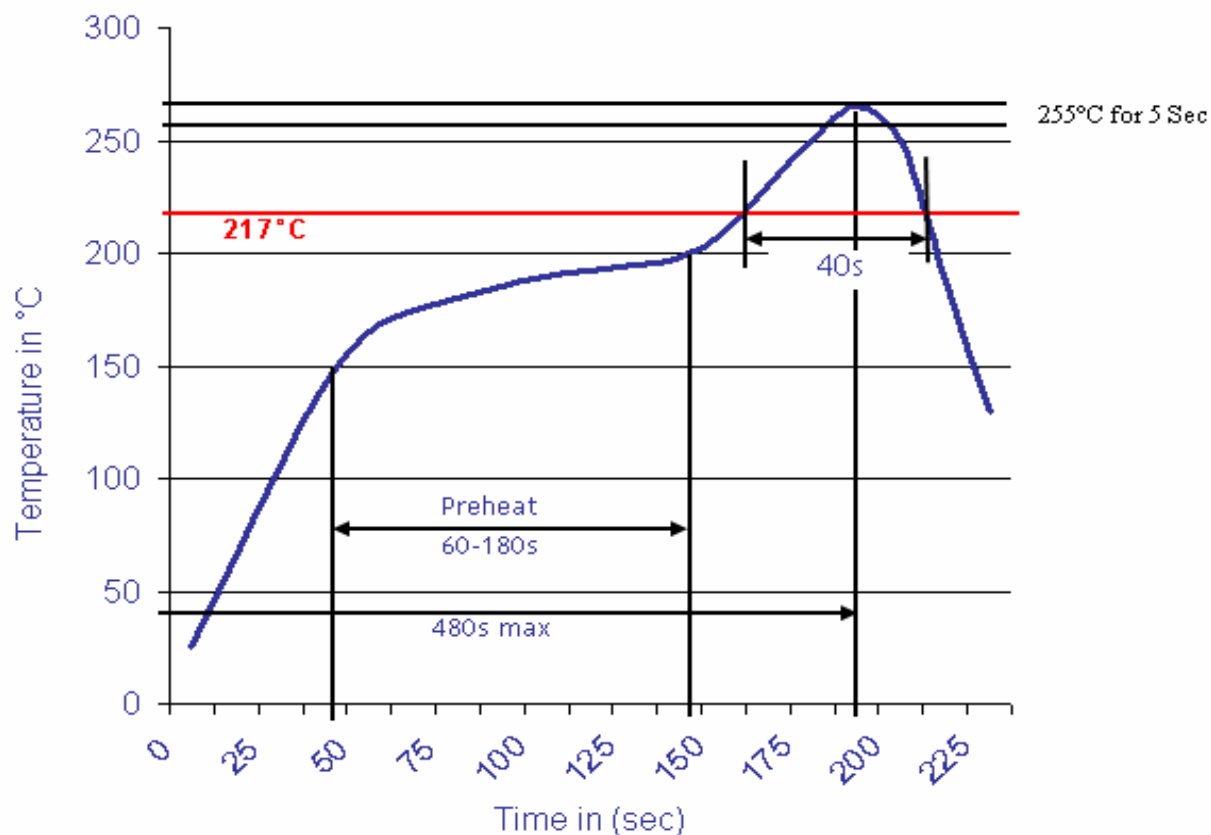
Pluggable Terminal Block	
Part No.:	A14R010
Customer:	

DRW:	Jason	CHKD	Wilson	MATL:	Wilson	TOLERANCE	Mason	DATE	26.05.2014
APPD:	Schumi			FINISH	Jamy		Sheet No.		3 from 4



Soldering Profile Curve

Classification Reflow Profile (JEDEC J-STD-020C)



Pluggable Terminal Block

Part No.: **A14R010**

Customer:

DRW:	Jason	CHKD	Wilson	MATL:	Wilson	TOLERANCE	Mason	DATE	26.05.2014
APPD:	Schumi			FINISH	Jamy		Sheet No.	4 from 4	