

Data Sheet

Pluggable Terminal Block

Pitch: 7,62 mm

Serie: A14R009

Customer Information for special Item

EDCON Customer : 0

Customer Version No. : 0

EDCON-COMPONENTS



Technical Discription

Drawing (Dimension in mm)

Electrical

| | | |
|----------------------|---------------|------------|
| Standard | UL | IEC |
| Rated voltage | 300V | 320V, 400V |
| Rated current | 15A | 20A |
| Withstanding voltage | AC 2500V/1min | |

Mechanical

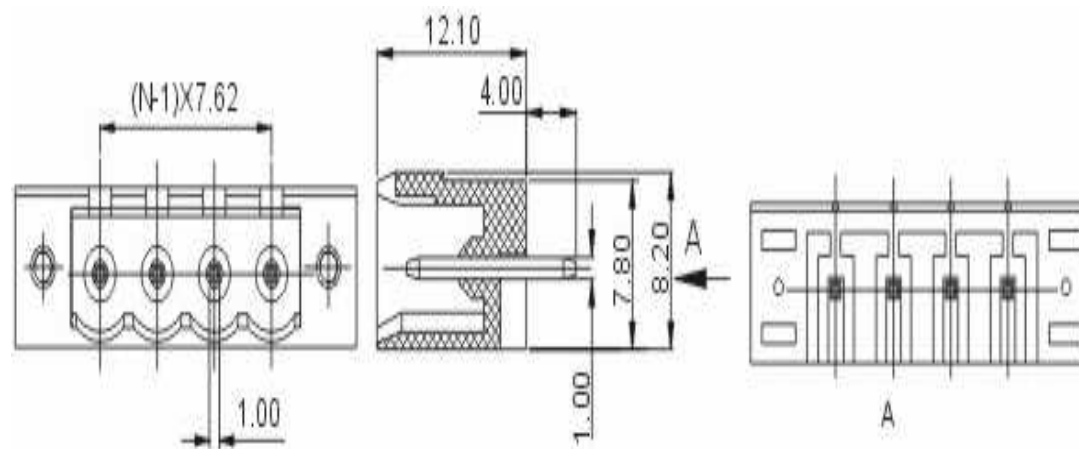
| | |
|---------------------|----------------|
| Ambient temperature | -40°C ~ +105°C |
|---------------------|----------------|

Dimensions

| | |
|-------|---------------------|
| Pitch | 7.62mm |
| Poles | 2P - 22P 2P - 12P |

Material

| | |
|------------|-------------------|
| Housing | PA66 (UL94V-0) |
| Pin header | Brass, Tin plated |



Pluggable Terminal Block

Part No.: **A14R009**

Customer:

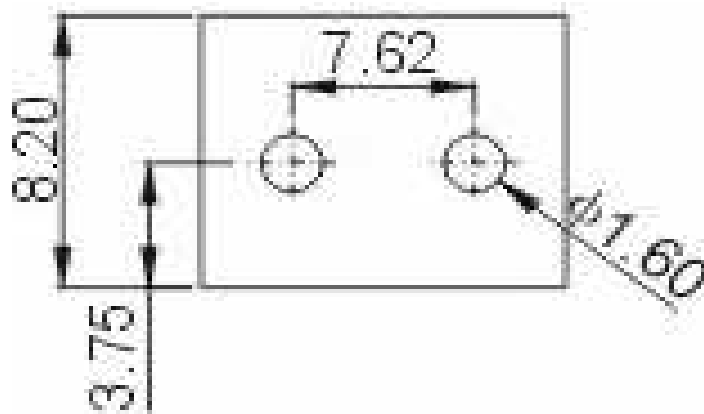
| | | | | | | | | | |
|-------|--------|------|--------|--------|--------|-----------|-----------|----------|------------|
| DRW: | Jason | CHKD | Wilson | MATL: | Wilson | TOLERANCE | Mason | DATE | 26.05.2014 |
| APPD: | Schumi | | | FINISH | Jamy | | Sheet No. | 1 from 4 | |

EDCON-COMPONENTS



PCB Layout (Dimension in mm)

Dimensions (mm)



| No. of Pos. | A | Tol. P |
|-------------|--------|--------|
| 02 | 22,86 | ± 0,35 |
| 03 | 30,48 | ± 0,35 |
| 04 | 38,10 | ± 0,35 |
| 05 | 45,72 | ± 0,35 |
| 06 | 53,34 | ± 0,35 |
| 07 | 60,96 | ± 0,35 |
| 08 | 68,58 | ± 0,35 |
| 09 | 76,20 | ± 0,35 |
| 10 | 83,82 | ± 0,35 |
| 11 | 91,44 | ± 0,35 |
| 12 | 99,06 | ± 0,35 |
| 13 | 106,68 | ± 0,35 |
| 14 | 114,30 | ± 0,35 |
| 15 | 121,92 | ± 0,35 |
| 16 | 129,54 | ± 0,35 |
| 17 | 137,16 | ± 0,35 |
| 18 | 144,78 | ± 0,35 |
| 19 | 152,40 | ± 0,35 |
| 20 | 160,02 | ± 0,35 |
| 21 | 167,64 | ± 0,35 |
| 22 | 175,26 | ± 0,35 |
| 23 | 182,88 | ± 0,35 |
| 24 | 190,50 | ± 0,35 |

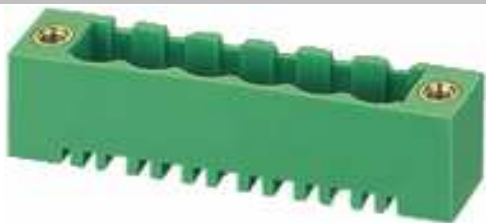
Pluggable Terminal Block

Part No.: **A14R009**

| | | | | | | | | | |
|-------|--------|------|--------|--------|--------|-----------|-----------|------|------------|
| DRW: | Jason | CHKD | Wilson | MATL: | Wilson | TOLERANCE | Mason | DATE | 26.05.2014 |
| APPD: | Schumi | | | FINISH | Jamy | | Sheet No. | | 2 from 4 |

Customer:

EDCON-COMPONENTS



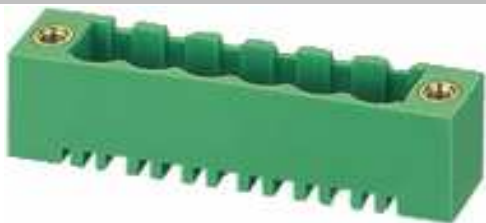
Ordering Informations

| Serie | No. of Pos. | Body Color | Approval | Approval Code | ROHS | Packing | EDCON Cust. No. | Customer Version | | |
|----------------|-------------|------------|----------|---------------|----------|----------|-----------------|------------------|--|--|
| A14R009 | 02 | GN | N | N | R | B | | | | |

| | | | | | | | | |
|---------------|----------------------------|-----------------------------|--|---|-----------------------------|-------------------------------|---------------------------------|--|
| Pitch 7,62 | 02 = Number of Pos. | GY = Gray (Standard) | N = No Approval | N = NON Approval | R = ROHS Conform | B = Standard Package | xxxxxx = Customer Number | xxx = Customer Version ??(Printing) |
| | Standard 2 ~ 24Pos. | GN = Green | 1 = Approval for Material | A = UL /UR Approval Please consult EDCON for available | N = NON ROHS Conform | I = Individual Package | | |
| | | OR = Orange | 2 = Approval for Terminal Block | B = VDE Approval Please consult EDCON for available | | | | |
| | | BK = Black | | C = TÜV Approval Please consult EDCON for available | | | | |

| | |
|---------------------------------|----------------|
| Pluggable Terminal Block | |
| Part No.: | A14R009 |
| Customer: | |

| | | | | | | | | | |
|-------|--------|------|--------|--------|--------|-----------|-----------|------|------------|
| DRW: | Jason | CHKD | Wilson | MATL: | Wilson | TOLERANCE | Mason | DATE | 26.05.2014 |
| APPD: | Schumi | | | FINISH | Jamy | | Sheet No. | | 3 from 4 |



Soldering Profile Curve

Classification Reflow Profile (JEDEC J-STD-020C)



Pluggable Terminal Block

Part No.: **A14R009**

Customer:

| | | | | | | | | | |
|-------|--------|------|--------|--------|--------|-----------|-----------|----------|------------|
| DRW: | Jason | CHKD | Wilson | MATL: | Wilson | TOLERANCE | Mason | DATE | 26.05.2014 |
| APPD: | Schumi | | | FINISH | Jamy | | Sheet No. | 4 from 4 | |