

Data Sheet

Pluggable Terminal Block

Pitch: 7,62 mm

Serie: A14R008

Customer Information for special Item

EDCON Customer : 0

Customer Version No. : 0

EDCON-COMPONENTS



Technical Discription

Drawing (Dimension in mm)

Electrical

Standard
 Rated voltage
 Rated current
 Withstanding voltage

UL	IEC
300V	320V, 400V
15A	20A
AC 2500V/1min	

Mechanical

Ambient temperature

-40°C ~ +105°C

Dimensions

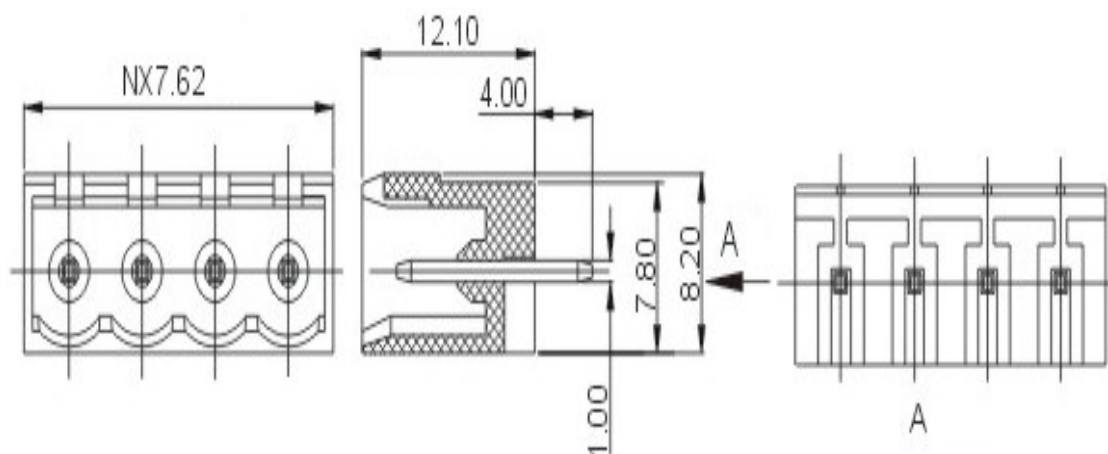
Pitch
 Poles

7.62mm
2P - 24P 2P - 12P

Material

Housing
 Pin header

PA66 (UL94V-0)
 Brass, Tin plated



Pluggable Terminal Block

Part No.: **A14R008**

Customer:

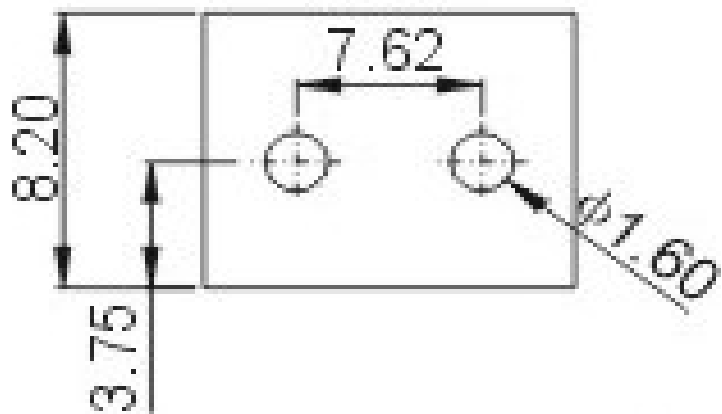
DRW:	Jason	CHKD	Wilson	MATL:	Wilson	TOLERANCE	Mason	DATE	27.03.2022
APPD:	Schumi			FINISH	Jamy		Sheet No.		1 from 4

EDCON-COMPONENTS



PCB Layout (Dimension in mm)

Dimensions (mm)



No. of Pos.	A	Tol. P
02	22,86	± 0,35
03	30,48	± 0,35
04	38,10	± 0,35
05	45,72	± 0,35
06	53,34	± 0,35
07	60,96	± 0,35
08	68,58	± 0,35
09	76,20	± 0,35
10	83,82	± 0,35
11	91,44	± 0,35
12	99,06	± 0,35
13	106,68	± 0,35
14	114,30	± 0,35
15	121,92	± 0,35
16	129,54	± 0,35
17	137,16	± 0,35
18	144,78	± 0,35
19	152,40	± 0,35
20	160,02	± 0,35
21	167,64	± 0,35
22	175,26	± 0,35
23	182,88	± 0,35
24	190,50	± 0,35

Pluggable Terminal Block	
Part No.:	A14R008
Customer:	

DRW:	Jason	CHKD:	Wilson	MATL:	Wilson	TOLERANCE:	Mason	DATE:	27.03.2022
APPD:	Schumi			FINISH:	Jamy		Sheet No.		2 from 4

www.edcon-components.com

email: info@edcon-components.com

EDCON-COMPONENTS



Ordering Informations

Serie	No. of Pos.	Body Color	Approval	Approval Code	ROHS	Packing	EDCON Cust. No.	Customer Version		
A14R008	02	GN	N	N	R	B				

Pitch
7,62

02= Number of Pos. Standard 2 ~ 24Pos.	GY= Gray (Standard)	0= No Approval	0= NON Approval	R= ROHS Conform	B= Standard Package	xxxxxx= Customer Number	xxx= Customer Version ??(Printing)
	GN= Green	N= Approval for Material	N= UL /UR Approval	N= NON ROHS Conform	I= Individual Package		
	OR= Orange	2= Approval for Terminal Block	B= VDE Approval Please consult EDCON for available	C= TÜV Approval Please consult EDCON for available			
	BK= Black						
	PG= Phoenix-Green						

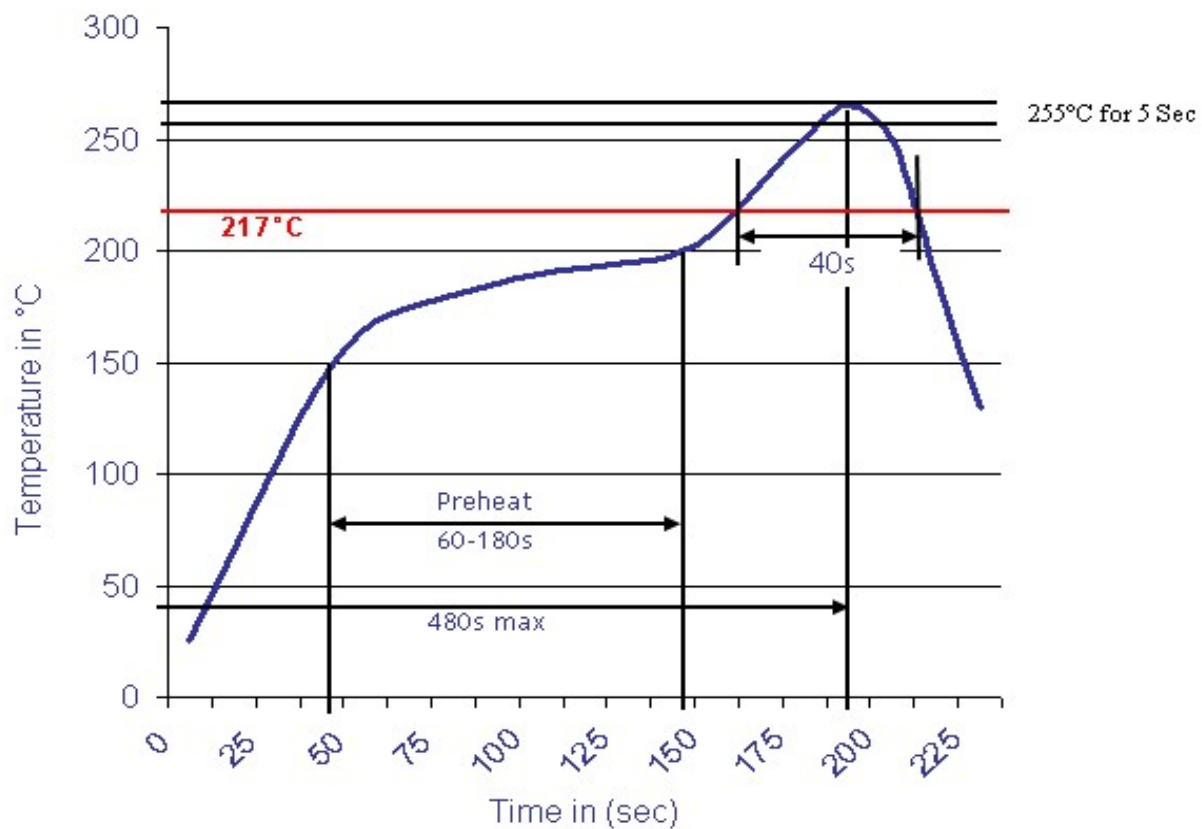
Pluggable Terminal Block	
Part No.:	A14R008
Customer:	

DRW:	Jason	CHKD	Wilson	MATL:	Wilson	TOLERANCE	Mason	DATE	27.03.2022
APPD:	Schumi			FINISH	Jamy		Sheet No.		3 from 4



Soldering Profile Curve

Classification Reflow Profile (JEDEC J-STD-020C)



Pluggable Terminal Block

Part No.: **A14R008**

Customer:

DRW:	Jason	CHKD	Wilson	MATL:	Wilson	TOLERANCE	Mason	DATE	27.03.2022
APPD:	Schumi			FINISH	Jamy		Sheet No.	4 from 4	