

Data Sheet

Pluggable Terminal Block

Pitch: 7,62 mm

Serie: A14R007

Customer Information for special Item

EDCON Customer : 0

Customer Version No. : 0

EDCON-COMPONENTS



Technical Discription

Drawing (Dimension in mm)

Electrical

Standard	UL	IEC
Rated voltage	300V	320V, 400V
Rated current	15A	20A
Withstanding voltage	AC 2500V/1min	

Mechanical

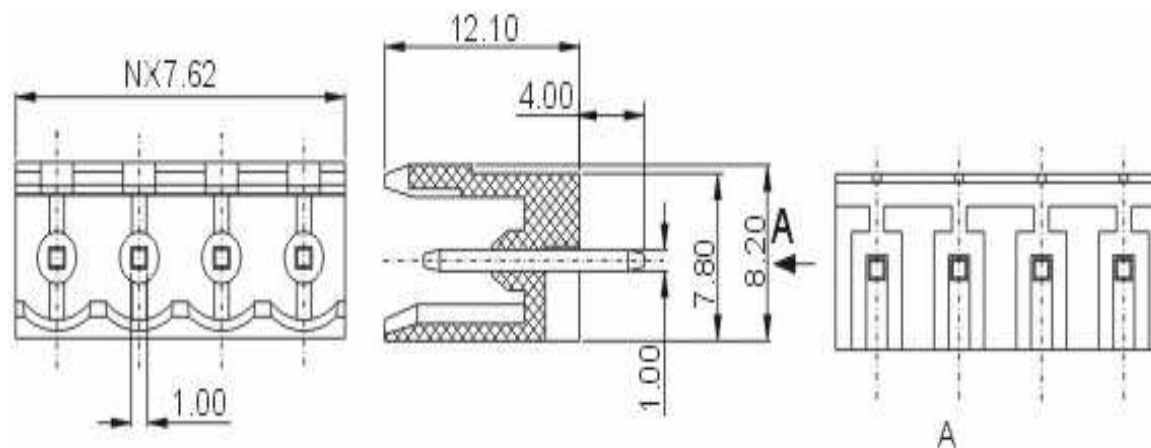
Ambient temperature -40°C ~ +105°C

Dimensions

Pitch	7.62mm	
Poles	2P - 24P	2P - 12P

Material

Housing	PA66 (UL94V-0)
Pin header	Brass, Tin plated



Pluggable Terminal Block

Part No.: **A14R007**

Customer:

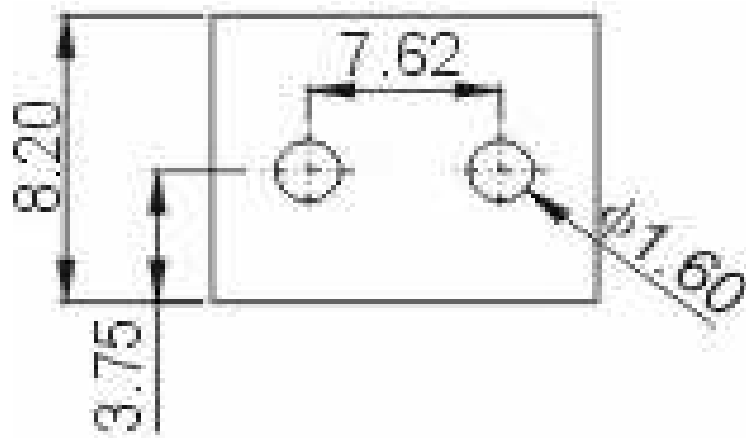
DRW:	Jason	CHKD	Wilson	MATL:	Wilson	TOLERANCE	Mason	DATE	26.05.2014
APPD:	Schumi			FINISH	Jamy		Sheet No.	1 from 4	

EDCON-COMPONENTS



PCB Layout (Dimension in mm)

Dimensions (mm)



No. of Pos.	A	Tol. P
02	22,86	± 0,35
03	30,48	± 0,35
04	38,10	± 0,35
05	45,72	± 0,35
06	53,34	± 0,35
07	60,96	± 0,35
08	68,58	± 0,35
09	76,20	± 0,35
10	83,82	± 0,35
11	91,44	± 0,35
12	99,06	± 0,35
13	106,68	± 0,35
14	114,30	± 0,35
15	121,92	± 0,35
16	129,54	± 0,35
17	137,16	± 0,35
18	144,78	± 0,35
19	152,40	± 0,35
20	160,02	± 0,35
21	167,64	± 0,35
22	175,26	± 0,35
23	182,88	± 0,35
24	190,50	± 0,35

Pluggable Terminal Block

Part No.: **A14R007**

DRW:	Jason	CHKD	Wilson	MATL:	Wilson	TOLERANCE	Mason	DATE	26.05.2014	Customer:
APPD:	Schumi			FINISH	Jamy		Sheet No.	2 from 4		

EDCON-COMPONENTS



Ordering Informations

Serie	No. of Pos.	Body Color	Approval	Approval Code	ROHS	Packing	EDCON Cust. No.	Customer Version		
-------	-------------	------------	----------	---------------	------	---------	-----------------	------------------	--	--

A14R007	02	GN	N	N	R	B				
----------------	-----------	-----------	----------	----------	----------	----------	--	--	--	--

Pitch: 7,62	02 = Number of Pos. Standard 2 ~ 24Pos.	GY = Gray (Standard) GN = Green OR = Orange BK = Black	N = No Approval 1 = Approval for Material 2 = Approval for Terminal Block	N = NON Approval A = UL /UR Approval Please consult EDCON for available B = VDE Approval Please consult EDCON for available C = TÜV Approval Please consult EDCON for available	R = ROHS Conform N = NON ROHS Conform	B = Standard Package I = Individual Package	xxxxxx = Customer Number	xxx = Customer Version ??(Printing)		
----------------	---	---	--	--	--	--	---------------------------------	--	--	--

Pluggable Terminal Block

Part No.: **A14R007**

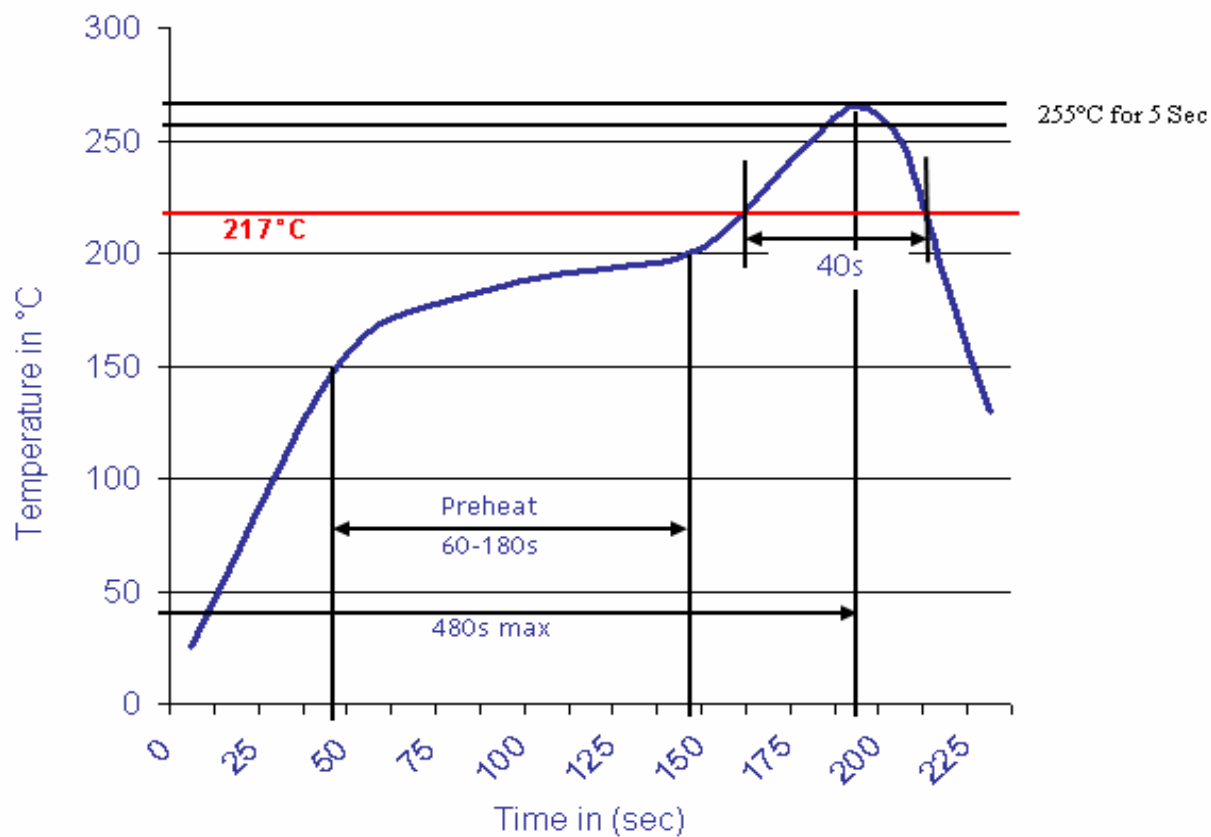
DRW:	Jason	CHKD	Wilson	MATL:	Wilson	TOLERANCE	Mason	DATE	26.05.2014
APPD:	Schumi			FINISH	Jamy		Sheet No.		3 from 4

Customer:



Soldering Profile Curve

Classification Reflow Profile (JEDEC J-STD-020C)



Pluggable Terminal Block

Part No.: **A14R007**

Customer:

DRW:	Jason	CHKD	Wilson	MATL:	Wilson	TOLERANCE	Mason	DATE	26.05.2014
APPD:	Schumi			FINISH	Jamy		Sheet No.	4 from 4	