

Data Sheet

Pluggable Terminal Block

Pitch: 7,62 mm

Serie: A14R006

Customer Information for special Item

EDCON Customer : 0

Customer Version No. : 0

EDCON-COMPONENTS



Technical Discription

Drawing (Dimension in mm)

Electrical

Standard	UL	IEC
Rated voltage	300V	320V, 400V
Rated current	15A	20A
Withstanding voltage	AC 2500V/1min	

Mechanical

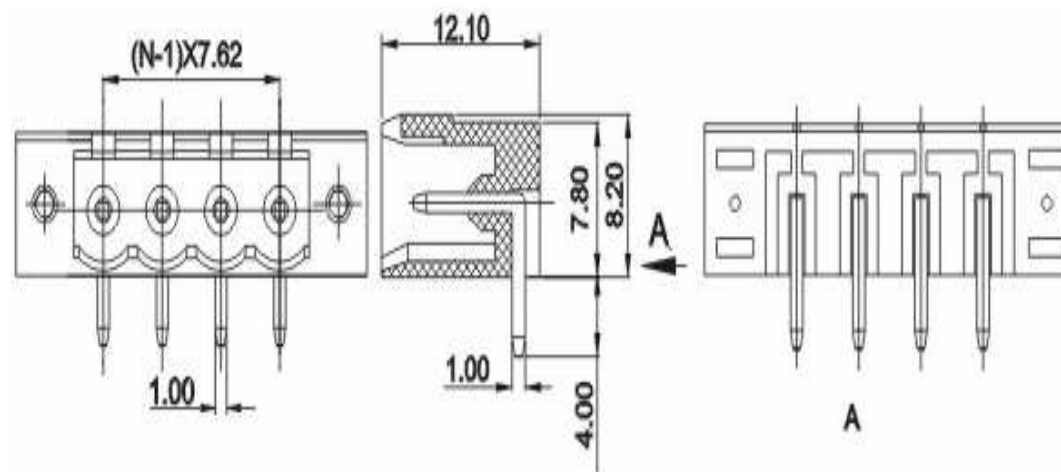
Ambient temperature	-40°C ~ +105°C
---------------------	----------------

Dimensions

Pitch	7.62mm
Poles	2P - 22P 2P - 12P

Material

Housing	PA66 (UL94V-0)
Pin header	Brass, Tin plated
Nut	M2.5, Brass



Pluggable Terminal Block

Part No.: **A14R006**

Customer:

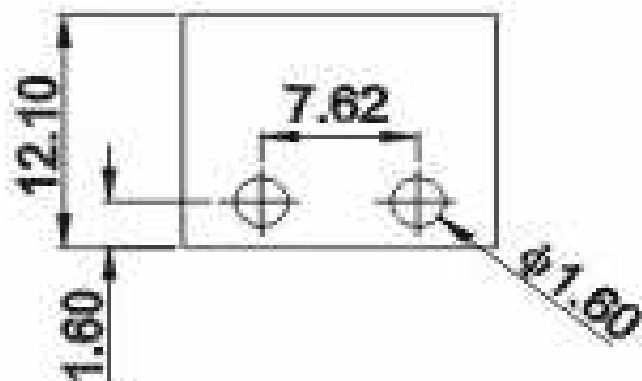
DRW:	Jason	CHKD	Wilson	MATL:	Wilson	TOLERANCE	Mason	DATE	26.05.2014
APPD:	Schumi			FINISH	Jamy		Sheet No.	1 from 4	

EDCON-COMPONENTS



PCB Layout (Dimension in mm)

Dimensions (mm)



No. of Pos.	A	Tol. P
02	22,86	$\pm 0,35$
03	30,48	$\pm 0,35$
04	38,10	$\pm 0,35$
05	45,72	$\pm 0,35$
06	53,34	$\pm 0,35$
07	60,96	$\pm 0,35$
08	68,58	$\pm 0,35$
09	76,20	$\pm 0,35$
10	83,82	$\pm 0,35$
11	91,44	$\pm 0,35$
12	99,06	$\pm 0,35$
13	106,68	$\pm 0,35$
14	114,30	$\pm 0,35$
15	121,92	$\pm 0,35$
16	129,54	$\pm 0,35$
17	137,16	$\pm 0,35$
18	144,78	$\pm 0,35$
19	152,40	$\pm 0,35$
20	160,02	$\pm 0,35$
21	167,64	$\pm 0,35$
22	175,26	$\pm 0,35$
23	182,88	$\pm 0,35$
24	190,50	$\pm 0,35$

Pluggable Terminal Block

Part No.: **A14R006**

DRW:	Jason	CHKD	Wilson	MATL:	Wilson	TOLERANCE	Mason	DATE	26.05.2014	Customer:
APPD:	Schumi			FINISH	Jamy		Sheet No.	2 from 4		

EDCON-COMPONENTS



Ordering Informations

Serie	No. of Pos.	Body Color	Approval	Approval Code	ROHS	Packing	EDCON Cust. No.	Customer Version		
-------	-------------	------------	----------	---------------	------	---------	-----------------	------------------	--	--

A14R006	02	GN	N	N	R	B				
----------------	-----------	-----------	----------	----------	----------	----------	--	--	--	--

Pitch 7,62	02 = Number of Pos. Standard 2 ~ 24Pos.	GY = Gray (Standard) GN = Green OR = Orange BK = Black	N = No Approval 1 = Approval for Material 2 = Approval for Terminal Block	N = NON Approval A = UL /UR Approval Please consult EDCON for available B = VDE Approval Please consult EDCON for available C = TÜV Approval Please consult EDCON for available	R = ROHS Conform N = NON ROHS Conform	B = Standard Package I = Individual Package	xxxxxx = Customer Number	xxx = Customer Version ??(Printing)		
---------------	---	---	--	--	--	--	---------------------------------	--	--	--

Pluggable Terminal Block

Part No.: **A14R006**

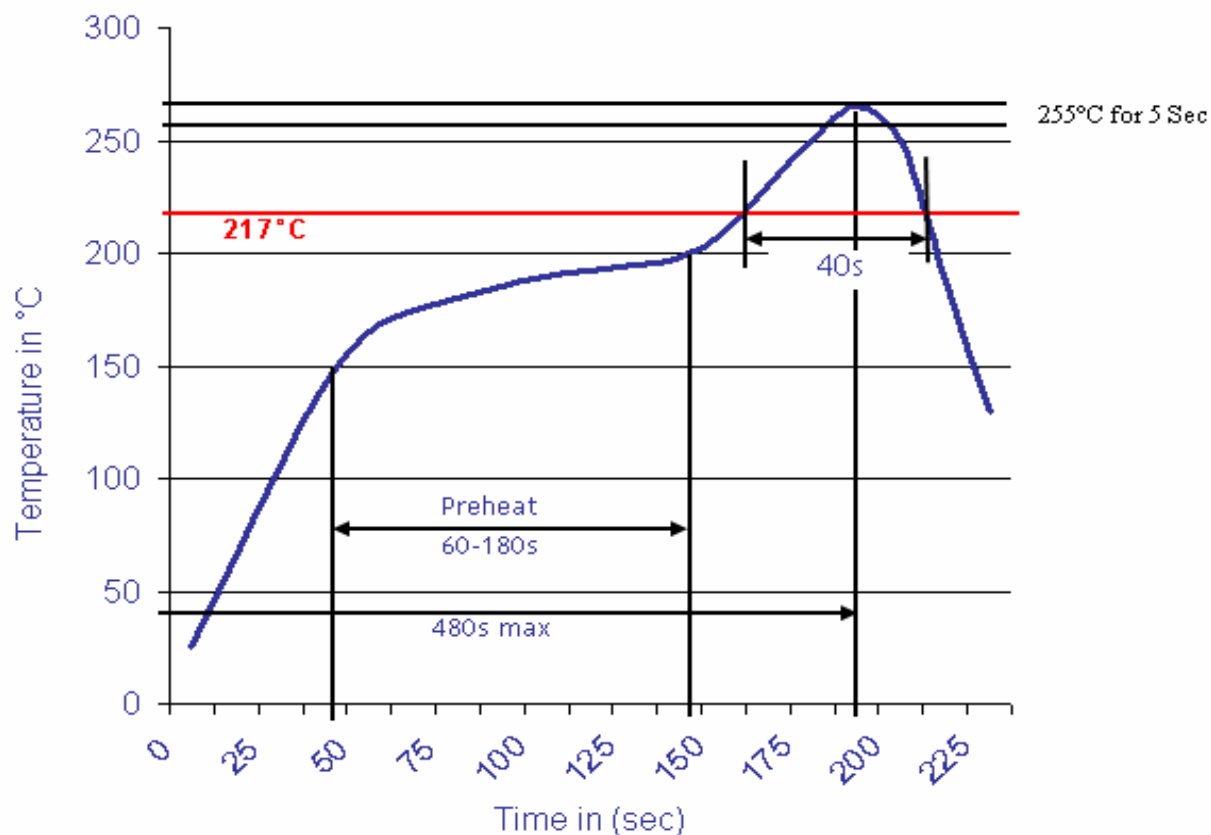
DRW:	Jason	CHKD	Wilson	MATL:	Wilson	TOLERANCE	Mason	DATE	26.05.2014
APPD:	Schumi			FINISH	Jamy			Sheet No.	3 from 4

Customer:



Soldering Profile Curve

Classification Reflow Profile (JEDEC J-STD-020C)



Pluggable Terminal Block

Part No.: **A14R006**

Customer:

DRW:	Jason	CHKD	Wilson	MATL:	Wilson	TOLERANCE	Mason	DATE	26.05.2014
APPD:	Schumi			FINISH	Jamy		Sheet No.	4 from 4	