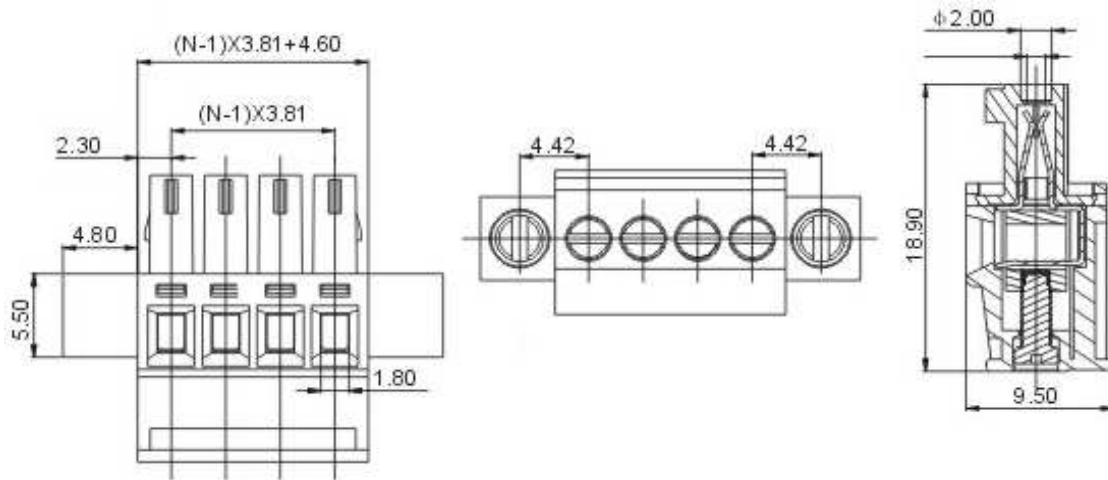


# EDCON-COMPONENTS



## Drawing



## P.C.B. Layout

## Specification

### APPROVAL



#### Electrical

Standard  
 Rated voltage  
 Rated current  
 Wire range  
 Withstanding voltage

UL	IEC
300V	250V
8A	7A
28-16 AWG	0.5-1.5mm <sup>2</sup>
AC 2000V/1min	

#### Mechanical

Ambient temperature  
 Strip length  
 Screw, Torque

-30°C ~ +120°C  
 7mm  
 M2, 0.2Nm (1.7Lb-In.)

#### Dimensions

Pitch  
 Poles

3.81mm  
 2P - 20P

#### Material

Housing  
 Pin header  
 Screws  
 Cage

PBT (UL94V-0)  
 Phosphor Bronze  
 steel, Cr<sup>3+</sup> Zn plated  
 Brass, Ni plated



### Certification



Pluggable Terminal Block /  
 Pitch 3.81mm

Part No.: A14H044

Customer:

DRW:	Justin	CHKD	Frank	MATL:	Jordan	TOLERANCE	Lord	Date	10.02.2009
APPD:	Pete			FINISH	Mike			Sheet No.	1 from 3

[www.edcon-components.com](http://www.edcon-components.com)

email: [info@edcon-components.com](mailto:info@edcon-components.com)

# EDCON-COMPONENTS



## Ordering Informations

Serie	-	No. of Pole	Body-Color	-	Customer Request
-------	---	-------------	------------	---	------------------

A14H044	-	XX	XX	-	X
		XX = total	WH - white		
		02	GN - green		
		...	GR - gray		
		20	TP - transparent		
			OR - orange		
			BK - black		
			BL - blue		
			RD - red		
			YW - yellow		
			PG - Phoenix Green		



**Certification**



Pluggable Terminal Block / Pitch 3.81mm	
Part No.:	A14H044
Customer:	

DRW:	Justin	CHKD:	Frank	MATL:	Jordan	TOLERANCE:	Lord	Date:	10.02.2009
APPD:	Pete	FINISH:	Mike				Sheet No.:		2 from 3

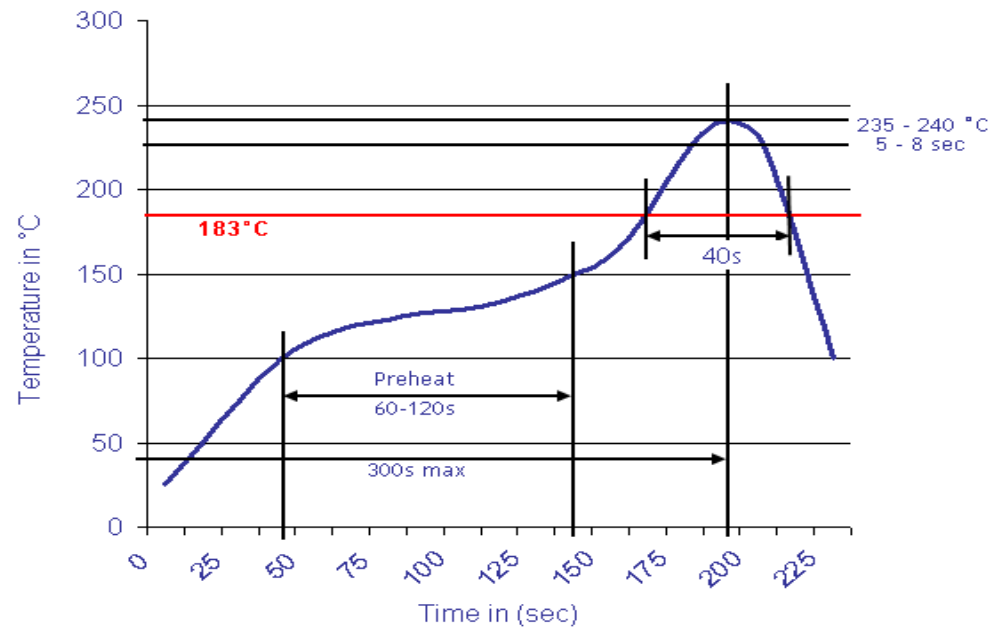
[www.edcon-components.com](http://www.edcon-components.com)

email: [info@edcon-components.com](mailto:info@edcon-components.com)



## Soldering - Profil

### Classification Reflow Profile (JEDEC J-STD-020C)



Pluggable Terminal Block /  
Pitch 3.81mm

Part No.: A14H044

Customer:

DRW:	Justin	CHKD	Frank	MATL:	Jordan	TOLERANCE	Lord	Date	10.02.2009
APPD:	Pete			FINISH	Mike			Sheet No.	3 from 3