

# Data Sheet

## Screwless Pluggable Terminal Block (Plug)

**Pitch: 3,50 mm**

**Serie: A14G115**

### Customer Information for special Item

**EDCON Customer : 0**

**Customer Version No. : 0**

# EDCON-COMPONENTS



## Technical Description

## Drawing (Dimension in mm)

### Electrical

	UR	CE
Rated Voltage	300Volt	250Volt
Rated Current	8A	7A
Wire Range		0,5 ~ 1,5mm <sup>2</sup>
Wire Range AWG-Size	14 ~ 24	

Withstanding Voltage	2,0KV / 1Min	
Insulation Resistance	5000MΩ / 1000V	

### Mechanical

Operating Temperature	-40°C ~ +105°C	
Wire Strip Length	10mm	

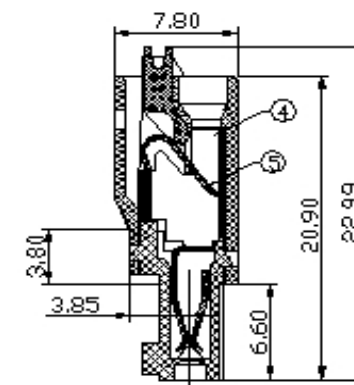
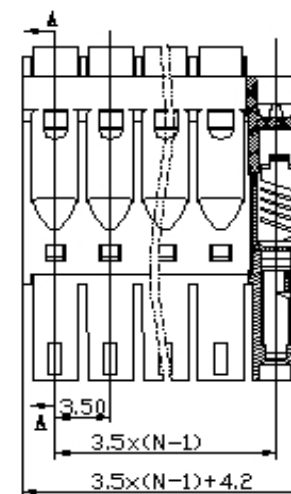
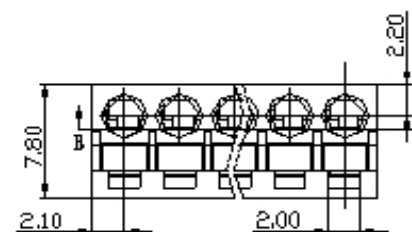
### Dimensions

Pitch (mm)	3,50
Poles	2 ~ 24 Pos.

### Materials

Terminal Housing	PA 66, UL94V-0
------------------	----------------

Cage	Steel Ni Plated
------	-----------------



### Screwless Pluggable Terminal Block (Plug)

Part No.: **A14G115**

Customer:

DRW:	Jason	CHKD	Wilson	MATL:	Wilson	TOLERANCE	Mason	DATE	06.06.2013
APPD:	Schumi			FINISH	Jamy		Sheet No.	1 from 3	

[www.edcon-components.com](http://www.edcon-components.com)

email: [info@edcon-components.com](mailto:info@edcon-components.com)

# EDCON-COMPONENTS



Drawing (Dimension in mm)

Dimension Tolerance (mm)

No. of Pos.	A	B		Tol. A	Tol. B
02	7,70	3,50		± 0,10	± 0,10
03	11,20	7,00		± 0,10	± 0,10
04	14,70	10,50		± 0,10	± 0,10
05	18,20	14,00		± 0,10	± 0,10
06	21,70	17,50		± 0,10	± 0,10
07	25,20	21,00		± 0,10	± 0,10
08	28,70	24,50		± 0,10	± 0,10
09	32,20	28,00		± 0,20	± 0,20
10	35,70	31,50		± 0,20	± 0,20
11	39,20	35,00		± 0,20	± 0,20
12	42,70	38,50		± 0,20	± 0,20
13	46,20	42,00		± 0,20	± 0,20
14	49,70	45,50		± 0,20	± 0,20
15	53,20	49,00		± 0,20	± 0,20
16	56,70	52,50		± 0,20	± 0,20
17	60,20	56,00		± 0,30	± 0,30
18	63,70	59,50		± 0,30	± 0,30
19	67,20	63,00		± 0,30	± 0,30
20	70,70	66,50		± 0,30	± 0,30
21	74,20	70,00		± 0,30	± 0,30
22	77,70	73,50		± 0,30	± 0,30
23	81,20	77,00		± 0,30	± 0,30
24	84,70	80,50		± 0,30	± 0,30

**Screwless Pluggable  
Terminal Block (Plug)**

Part No.: **A14G115**

Customer:

DRW:	Jason	CHKD	Wilson	MATL:	Wilson	TOLERANCE	Mason	DATE	06.06.2013
APPD:	Schumi			FINISH	Jamy		Sheet No.		2 from 3

# EDCON-COMPONENTS



## Ordering Informations

Serie	No. of Pos.	Body Color	Function	Approval Code	ROHS	Packing	EDCON Cust. No.	Customer Version		
<b>A14G115</b>	<b>02</b>	<b>PG</b>	<b>N</b>	<b>N</b>	<b>R</b>	<b>B</b>				

Pitch  
3,50

<b>02=</b> Number of Pos. Standard 2 ~ 24Pos.	<b>PG=</b> Phoenix Green (Standard) <b>WH=</b> White <b>GN=</b> Green <b>GY=</b> Gray <b>LG=</b> Light Gray <b>OR=</b> Orange <b>BL=</b> Blue <b>BK=</b> Black	<b>N=</b> No function	<b>N=</b> NON Approval <b>A=</b> UL /UR Approval Please consult EDCON for available <b>B=</b> VDE Approval Please consult EDCON for available <b>C=</b> TÜV Approval Please consult EDCON for available	<b>R=</b> ROHS Conform <b>N=</b> NON ROHS Conform	<b>B=</b> Bulk-Ware <b>I=</b> Individual Package	<b>xxxxxx=</b> Customer Number	<b>xxx=</b> Customer Version ??(Printing)
--	---	-----------------------	--	--	---	--------------------------------	---

<b>Screwless Pluggable Terminal Block (Plug)</b>	
Part No.:	<b>A14G115</b>
Customer:	

DRW:	Jason	CHKD	Wilson	MATL:	Wilson	TOLERANCE	Mason	DATE	06.06.2013
APPD:	Schumi			FINISH	Jamy			Sheet No.	3 from 3