

Data Sheet

Pluggable Terminal Block (Wafer)

Pitch: 3,50 mm

Serie: A14G087

Customer Information for special Item

EDCON Customer : xxxxxx

Customer Version No. : xx

EDCON-COMPONENTS



Technical Discription

Electrical:

Rated voltage:

Rated current:

Withstanding Voltage: AC/1min:

Operating Temperature:

Mechanical:

Strip length: mm

Wire range: Solid wire: AWG

Wire range: Stranded wire:AWG

Material:

Housing Terminal Body:

Material Screw:

Material Terminal:

Pin Dimension:

Hole Dimension:

Soldering Temperature:

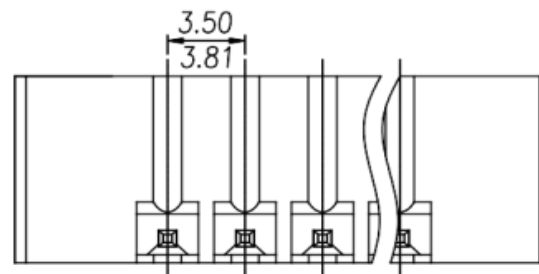
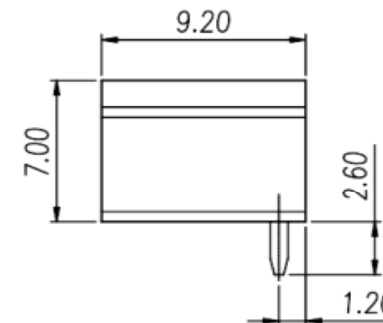
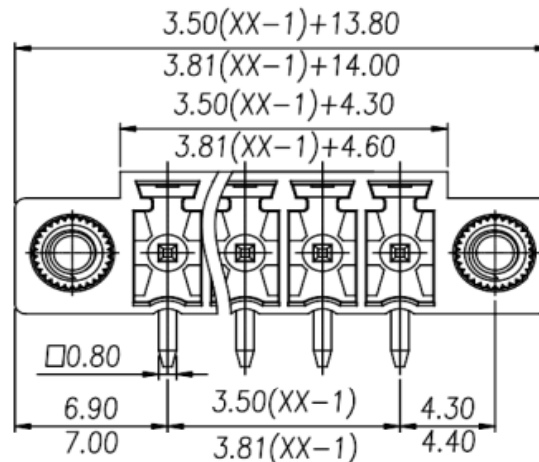
UL	IEC	VDE
300V	250V	
8A	8A	
1600V	2500V	

-40°C ~ +130°C

Strip length: mm	Wire range: Solid wire: AWG	Wire range: Stranded wire:AWG

Thermoplastik UL94V-0
 Stainless steel
 Copper Alloy / Tin plated
 0,8x0,8mm
 1,4mm
 285°C / 10Sec.

Drawing (Dimension in mm)



Item No.		
1		
2		
3		
4		
5		
6		
7		
8		
9		

Tolerances unless otherwise specified (mm)				
x	x.x	x.xx	x.xxx	Angle
±	±	±	±	±3°
DRW:	Jason	CHKD	Wilson	MATL:
APPD:	Schumi		FINISH	Jamy

Pluggable Terminal Block (Wafer)	
Part No.:	A14G087
Customer:	

DRW:	Jason	CHKD	Wilson	MATL:
APPD:	Schumi		FINISH	Jamy

www.edcon-components.com

Copyright by S.Tiede

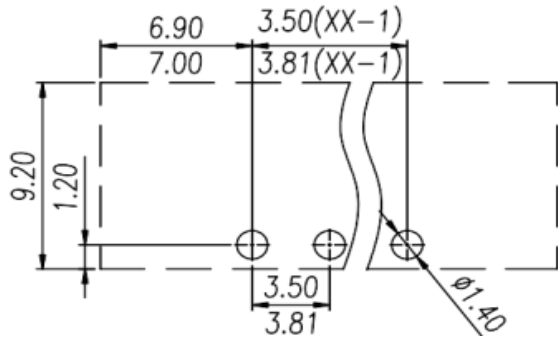
email: info@edcon-components.com

EDCON-COMPONENTS



PCB Layout

Dimensions / Tolerance (mm)



**Pluggable Terminal Block
(Wafer)**

Part No.: **A14G087**

Customer:

DRW:	Jason	CHKD	Wilson	MATL:	Wilson	TOLERANCE	Mason	DATE	09.03.2024
APPD:	Schumi			FINISH	Jamy		Sheet No.	2 from 4	

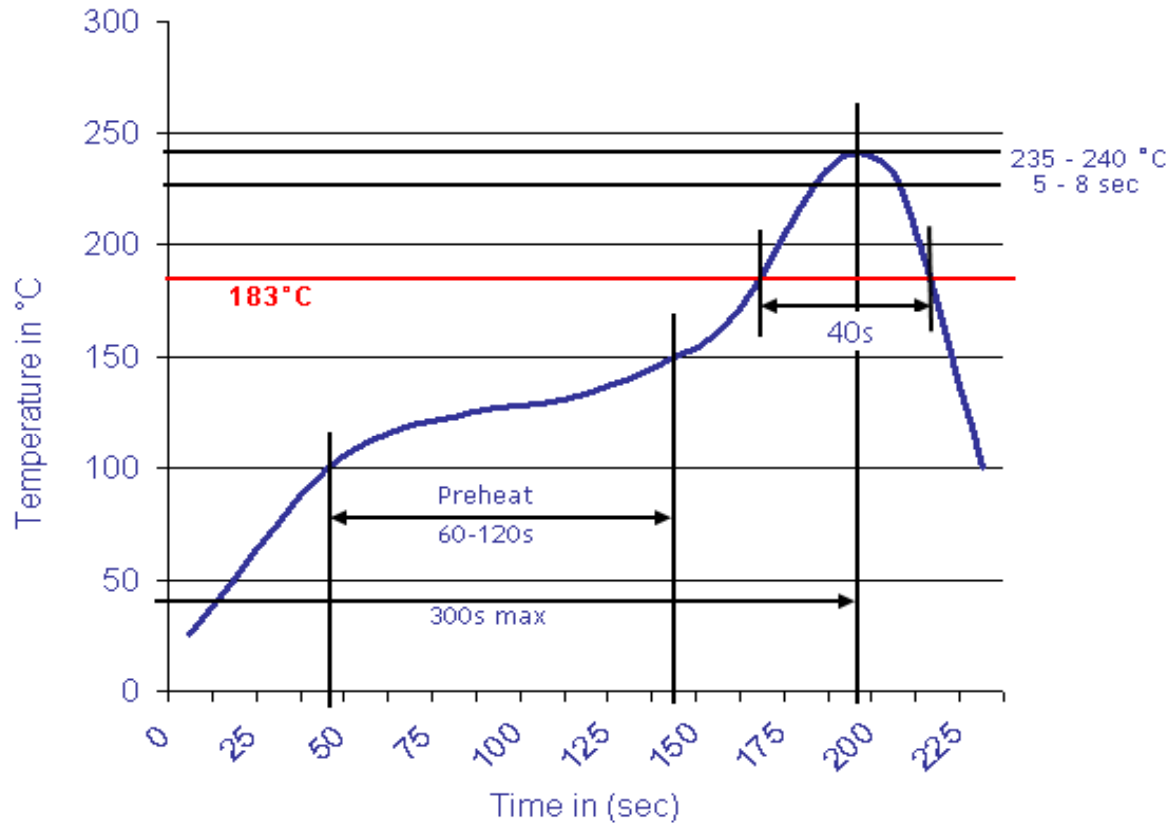
www.edcon-components.com

email: info@edcon-components.com



Soldering Profile Curve

Classification Reflow Profile (JEDEC J-STD-020C)



**Pluggable Terminal Block
(Wafer)**

Part No.: **A14G087**

Customer:

DRW:	Jason	CHKD	Wilson	MATL:	Wilson	TOLERANCE	Mason	DATE	09.03.2024
APPD:	Schumi			FINISH	Jamy		Sheet No.		4 from 4