

Data Sheet

Screwless Pluggable Terminal Block (Plug)

Pitch: 3,50 mm

Serie: A14G084

Customer Information for special Item

EDCON Customer : 0

Customer Version No. : 0

EDCON-COMPONENTS



Technical Discription

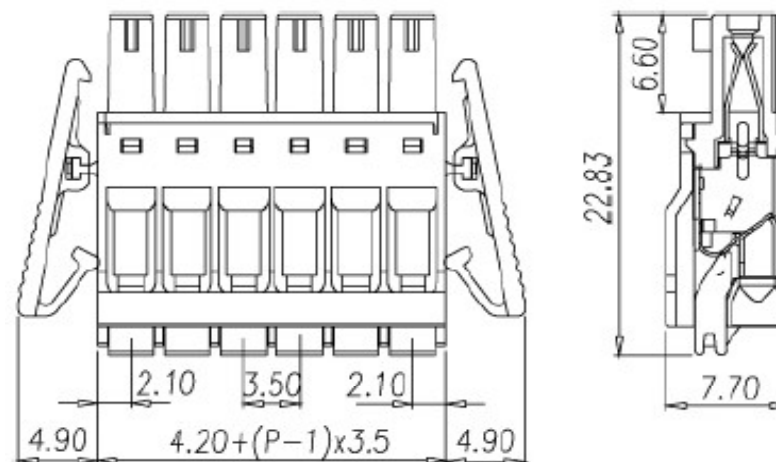
Electrical	UL	IEC
Rated Voltage	300Volt	250Volt
Rated Current	8A	6A
Wire Range	0,5 ~ 1,0mm ²	0,5 ~ 1,0mm ²
Wire Range AWG-Size	16 ~ 24	16 ~ 24
Withstanding Voltage	1,6 / 2,0KV Peak	
Insulation Resistance	5000MΩ / 1000V	
Mechanical		
Operating Temperature	-40°C ~ +115°C	
Wire Strip Length	7-8mm	

Dimensions	
Pitch (mm)	3,50
Poles	2 ~ 20 Pos.

Materials	
Terminal Housing	Thermoplastic, UL94V-0

Cage	Steel Ni Plated
------	-----------------

Drawing (Dimension in mm)



Screwless Pluggable Terminal Block (Plug)

Part No.: **A14G084**

Customer:

DRW:	Jason	CHKD	Wilson	MATL:	Wilson	TOLERANCE	Mason	DATE	14.03.2017
APPD:	Schumi			FINISH	Jamy		Sheet No.	1 from 3	

www.edcon-components.com

email: info@edcon-components.com

EDCON-COMPONENTS



Dimension Tolerance (mm)

No. of Pos.	A	Tol. A	B	Tol. B
02	7,00	± 0,10	3,50	± 0,10
03	10,50	± 0,10	7,00	± 0,10
04	14,00	± 0,10	10,50	± 0,10
05	17,50	± 0,10	14,00	± 0,10
06	21,00	± 0,10	17,50	± 0,10
07	24,50	± 0,10	21,00	± 0,10
08	28,00	± 0,10	24,50	± 0,10
09	31,50	± 0,20	28,00	± 0,20
10	35,00	± 0,20	31,50	± 0,20
11	38,50	± 0,20	35,00	± 0,20
12	42,00	± 0,20	38,50	± 0,20
13	45,50	± 0,20	42,00	± 0,20
14	49,00	± 0,20	45,50	± 0,20
15	52,50	± 0,20	49,00	± 0,20
16	56,00	± 0,20	52,50	± 0,20
17	59,50	± 0,30	56,00	± 0,30
18	63,00	± 0,30	59,50	± 0,30
19	66,50	± 0,30	63,00	± 0,30
20	70,00	± 0,30	66,50	± 0,30
21	73,50	± 0,30	70,00	± 0,30
22	77,00	± 0,30	73,50	± 0,30
23	80,50	± 0,30	77,00	± 0,30
24	84,00	± 0,30	80,50	± 0,30

Screwless Pluggable Terminal Block (Plug)

Part No.: **A14G084**

Customer:

DRW:	Jason	CHKD	Wilson	MATL:	Wilson	TOLERANCE	Mason	DATE	14.03.2017
APPD:	Schumi			FINISH	Jamy		Sheet No.		2 from 3

EDCON-COMPONENTS



Ordering Informations

Serie	No. of Pos.	Body Color	Function	Approval Code	ROHS	Packing	EDCON Cust. No.	Customer Version		
-------	-------------	------------	----------	---------------	------	---------	-----------------	------------------	--	--

A14G084	02	PG	N	N	R	B				
----------------	-----------	-----------	----------	----------	----------	----------	--	--	--	--

Pitch 3,50	02 = Number of Pos. Standard 2 ~ 24Pos.	PG = Phoenix Green (Standard) WH = White GN = Green GY = Gray LG = Light Gray OR = Orange BL = Blue BK = Black	N = No function	N = NON Approval A = UL /UR Approval Please consult EDCON for available B = VDE Approval Please consult EDCON for available C = TÜV Approval Please consult EDCON for available	R = ROHS Conform N = NON ROHS Conform	B = Bulk-Ware I = Individual Package	xxxxxx = Customer Number	xxx = Customer Version ??(Printing)		
---------------	---	---	------------------------	--	--	---	---------------------------------	--	--	--

Screwless Pluggable Terminal Block (Plug)

Part No.: **A14G084**

DRW:	Jason	CHKD	Wilson	MATL:	Wilson	TOLERANCE	Mason	DATE	14.03.2017
APPD:	Schumi			FINISH	Jamy		Sheet No.		3 from 3

Customer: