

Data Sheet

Pluggable Terminal Block (Plug)

Pitch: 3,50 mm

Serie: A14G081

Customer Information for special Item

EDCON Customer : 0

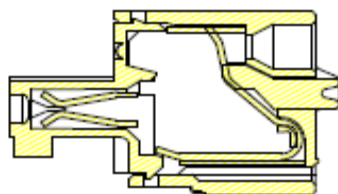
Customer Version No. : 0

EDCON-COMPONENTS

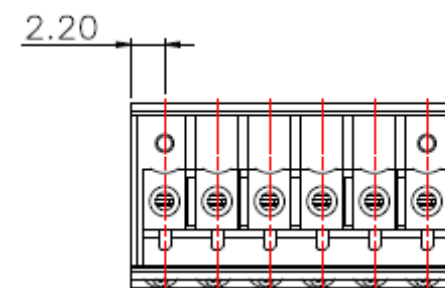
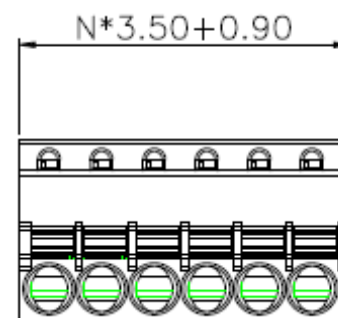
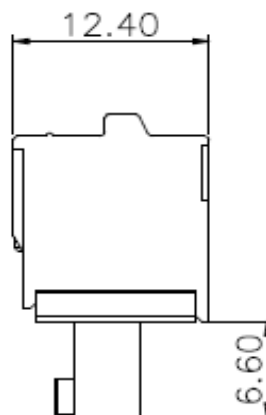
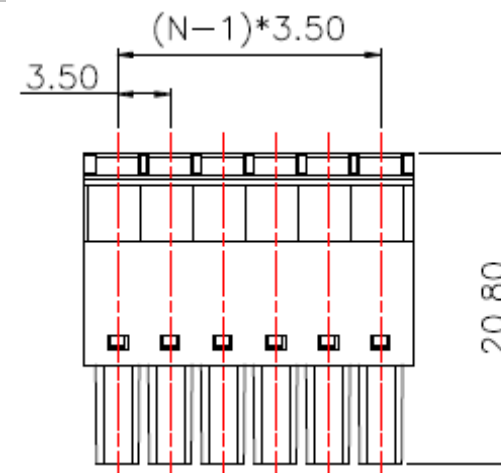
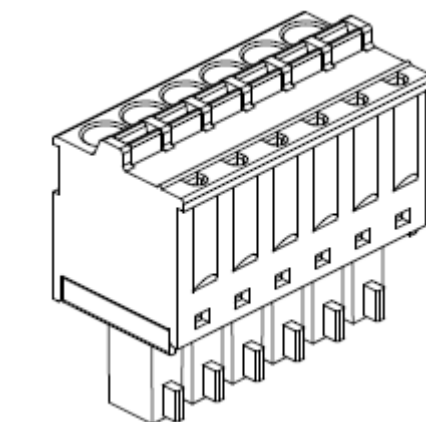


Technical Discription

Electrical	UL	IEC
Rated Voltage	300Volt	
Rated Current	8A	
Wire Range	0,5~1,0mm ²	
Wire Range AWG-Size	28~16AWG	
Withstanding Voltage		2,0KV
Insulation Resistance		
Operating Temperature		-40°C ~ +105°C
Wire Strip Length		9mm
Screw Torque		
Screw Size		
Dimensions		
Pitch (mm)		3,50
Poles		2 ~ 24 Pos.
Materials		
Terminal Housing		PA66 UL94V-0
Wire Guard		Stainless Steel
Terminal		Phosphor Bronze Tin Plated
Clamp		Brass Nickel Plated



Drawing (Dimension in mm)



Pluggable Terminal Block (Plug)

Part No.: **A14G081**

Customer:

DRW:	Jason	CHKD	Wilson	MATL:	Wilson	TOLERANCE	Mason	DATE	21.10.2015
APPD:	Schumi			FINISH	Jamy		Sheet No.		1 from 4

EDCON-COMPONENTS



Dimension Tolerance (mm)

No. of Pos.	A	Tol. A	B	Tol. B
02	7,00	± 0,10	3,50	± 0,10
03	10,50	± 0,10	7,00	± 0,10
04	14,00	± 0,10	10,50	± 0,10
05	17,50	± 0,10	14,00	± 0,10
06	21,00	± 0,10	17,50	± 0,10
07	24,50	± 0,10	21,00	± 0,10
08	28,00	± 0,10	24,50	± 0,10
09	31,50	± 0,20	28,00	± 0,20
10	35,00	± 0,20	31,50	± 0,20
11	38,50	± 0,20	35,00	± 0,20
12	42,00	± 0,20	38,50	± 0,20
13	45,50	± 0,20	42,00	± 0,20
14	49,00	± 0,20	45,50	± 0,20
15	52,50	± 0,20	49,00	± 0,20
16	56,00	± 0,20	52,50	± 0,20
17	59,50	± 0,30	56,00	± 0,30
18	63,00	± 0,30	59,50	± 0,30
19	66,50	± 0,30	63,00	± 0,30
20	70,00	± 0,30	66,50	± 0,30
21	73,50	± 0,30	70,00	± 0,30
22	77,00	± 0,30	73,50	± 0,30
23	80,50	± 0,30	77,00	± 0,30
24	84,00	± 0,30	80,50	± 0,30

Pluggable Terminal Block (Plug)

Part No.: **A14G081**

Customer:

DRW:	Jason	CHKD	Wilson	MATL:	Wilson	TOLERANCE	Mason	DATE	21.10.2015
APPD:	Schumi			FINISH	Jamy		Sheet No.		2 from 4



EDCON-COMPONENTS



Ordering Informations

Serie	No. of Pos.	Body Color	Screw Type	Approval Code	ROHS	Packing	EDCON Cust. No.	Customer Version		
A14G081	02	PG	C	N	R	B				

Pitch
3,50

02= Number of Pos. Standard 2 ~ 24Pos.	PG= Phoenix Green (Standard) WH= White GN= Green GY= Gray LG= Light Gray OR= Orange BL= Blue BK= Black	A= Slotted Screw Type (Standard)  B= Cross Slotted Screw Type  C= Screwless Type	N= NON Approval A= UL /UR Approval Please consult EDCON for available B= VDE Approval Please consult EDCON for available C= TÜV Approval Please consult EDCON for available	R= ROHS Conform N= NON ROHS Conform	B= Bulk-Ware I= Individual Package	xxxxxx= Customer Number	xxx= Customer Version ??(Printing)
--	---	---	--	--	---	--------------------------------	---

Pluggable Terminal Block (Plug)

Part No.: **A14G081**

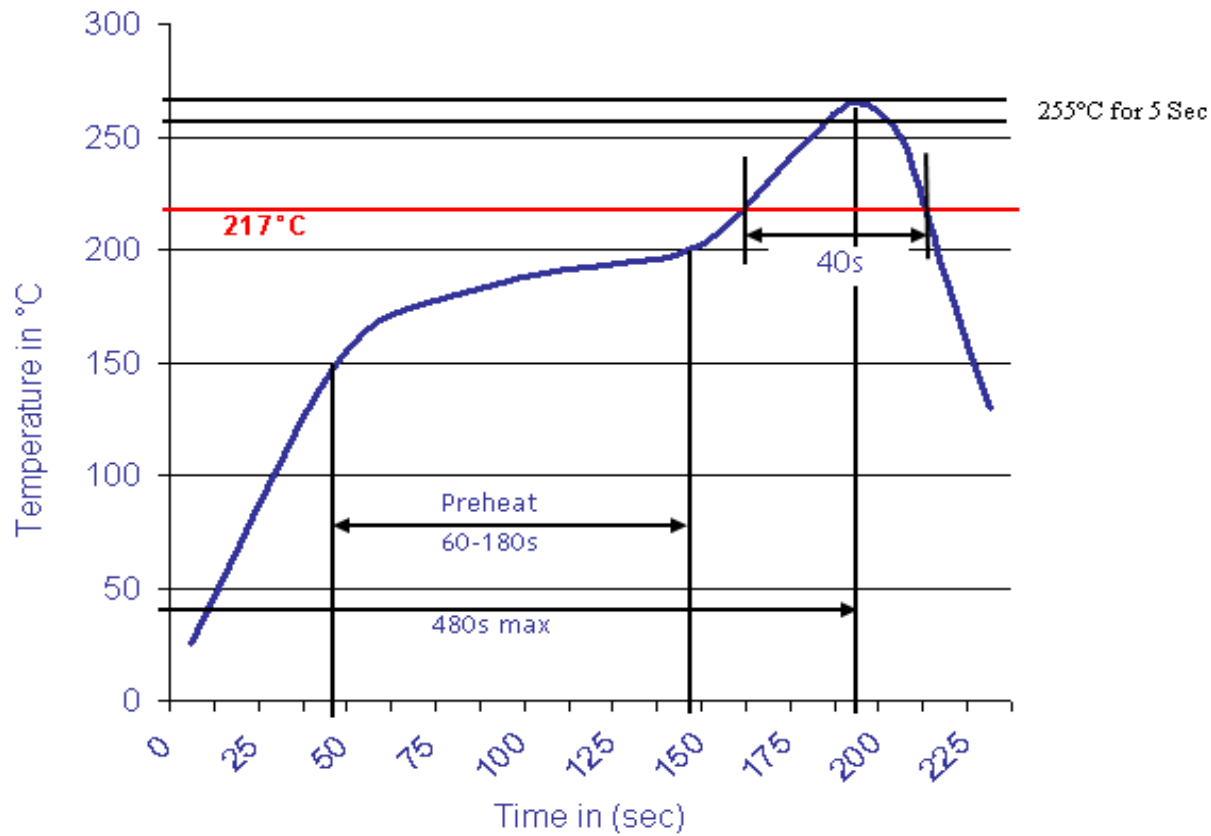
DRW:	Jason	CHKD	Wilson	MATL:	Wilson	TOLERANCE	Mason	DATE	21.10.2015
APPD:	Schumi			FINISH	Jamy		Sheet No.		3 from 4

Customer: email: info@edcon-components.com



Soldering Profile Curve

Classification Reflow Profile (JEDEC J-STD-020C)



**Pluggable Terminal Block
(Plug)**

Part No.: **A14G081**

DRW:	Jason	CHKD	Wilson	MATL:	Wilson	TOLERANCE	Mason	DATE	21.10.2015
APPD:	Schumi			FINISH	Jamy		Sheet No.	4 from 4	

Customer: