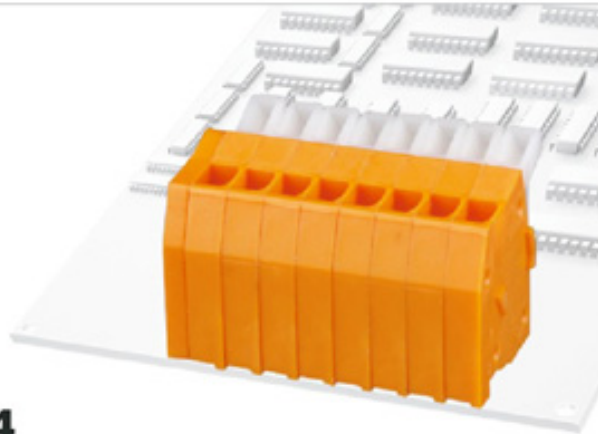




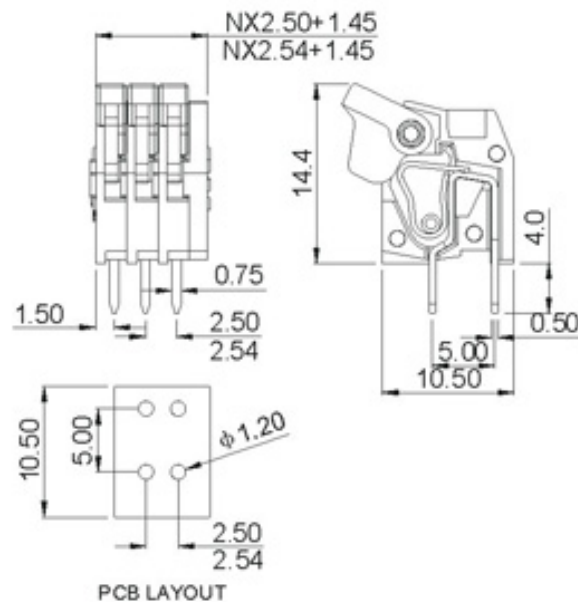
DEGSON ELECTRONICS CO., LTD.

Product Specification

CE



DG241-2.5
DG241-2.54



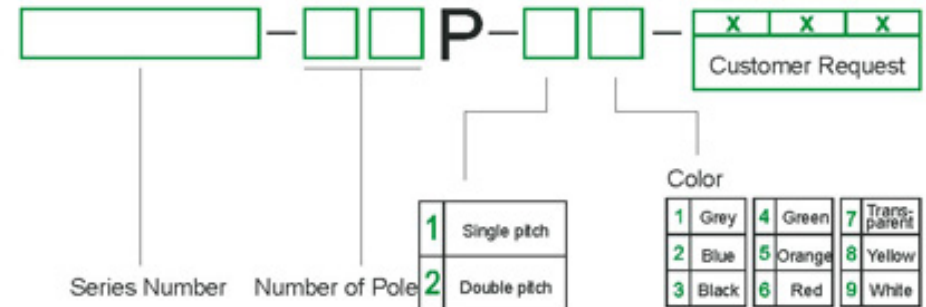
Approval	CE	
Electrical		
Standard	UL	IEC
Rated voltage	150V	130V
Rated current	4A	6A
Wire range	28-20AWG	0.5mm ²
With standing voltage	AC1250V/1Min	

Mechanical		
Ambient temperature	-40°C~+105°C	
Strip length	5-6mm	

Dimensions		
Pitch	2.5mm(.098") 2.54mm(.100")	
Poles	1P-XXP	

Material		
Housing	PA66, UL94V-0	
Pin header	Phosphor bronze, Tin plated	
Wire guard	Stainless steel	

HOW TO ORDER



		DEGSON ELECTRONICS CO., LTD.
	NAME	DG241-2.5 DG241-2.54