

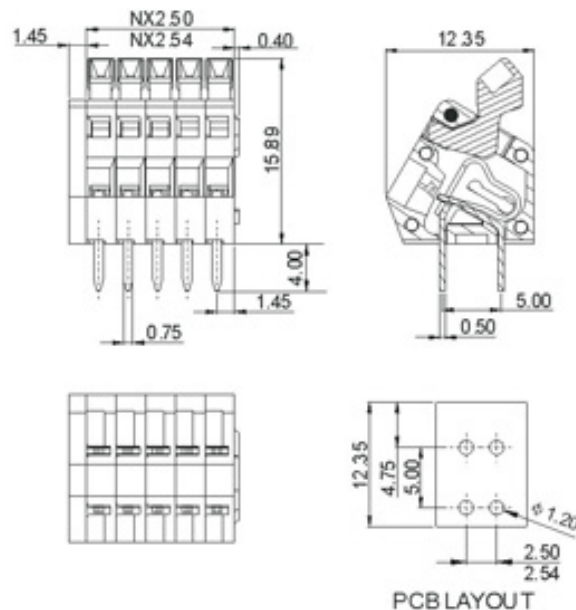


DEGSON ELECTRONICS CO., LTD.

Product Specification



DG240-2.5
DG240-2.54



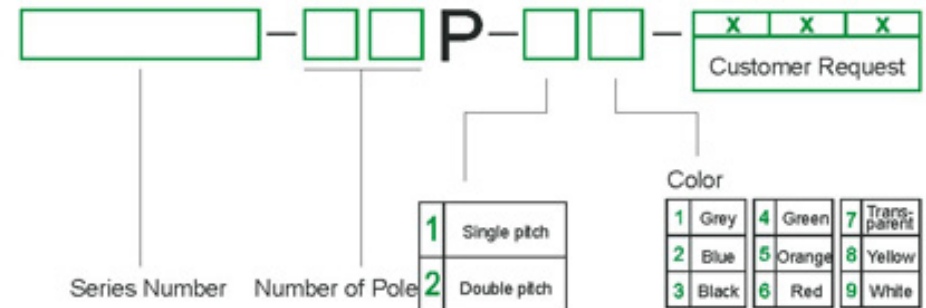
Approval	UL	CE
Electrical		
Standard	UL	IEC
Rated voltage	150V	130V
Rated current	4A	6A
Wire range	28-20AWG	0.5mm ²
With standing voltage	AC1250V/1Min	

Mechanical	
Ambient temperature	-40°C~+105°C
Strip length	5-6mm

Dimensions	
Pitch	2.5mm(.098") 2.54mm(.100")
Poles	1P-XXP

Material	
Housing	PA66, UL94V-0
Pin header	Phosphor bronze, Tin plated
Wire guard	Stainless steel

HOW TO ORDER



		DEGSON ELECTRONICS CO., LTD.
	NAME	DG240-2.5 DG240-2.54