

Data Sheet

Pluggable Terminal Block (Plug)

Pitch: 3,50 mm

Serie: A14G093

Customer Information for special Item

EDCON Customer : 0

Customer Version No. : 0

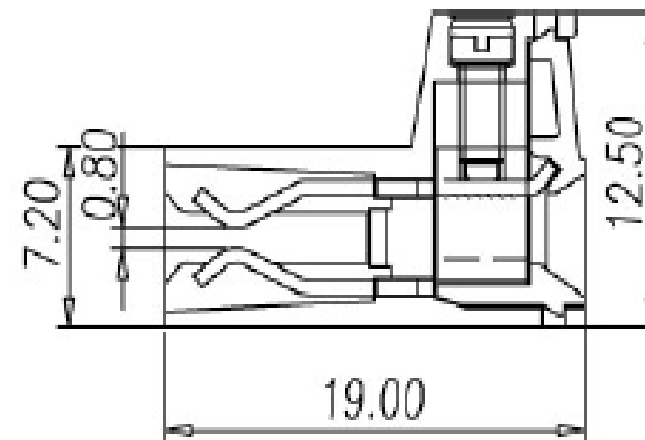
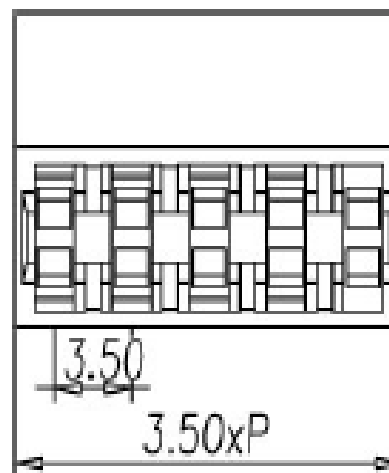
EDCON-COMPONENTS



Technical Discription

	UL	IEC
Electrical		
Rated Voltage	300Volt	
Rated Current	10A	
Wire Range		1,0mm ²
Wire Range AWG-Size	16 ~ 28	
Withstanding Voltage	2,5KV	
Insulation Resistance	5000MΩ / 1KV	
Mechanical		
Operating Temperature		-40°C ~ +115°C
Wire Strip Length		6-7mm
Screw Torque		3,5
Screw Size		M2
Dimensions		
Pitch (mm)		3,50
Poles		2 ~ 24 Pos.
Materials		
Terminal Housing		Thermoplastic, UL94V-0
Pin Header		Brass Tin Plated
Screw		Steel Ni-plated / Zinc Plated
Cage		Brass Ni Plated

Drawing (Dimension in mm)



Unspecified Tolerance (mm)								Pluggable Terminal Block (Plug)	
X.	X.x	X.xx	X.xxx	X.xxxx					
0,35	0,25	0,2	0,15		Part No.:		A14G093		
DRW:	Jason	CHKD	Wilson	MATL:	Wilson	TOLERANCE	Mason	DATE	15.03.2017
APPD:	Schumi			FINISH	Jamy		Sheet No.	1 from 3	Customer:

EDCON-COMPONENTS



Dimension Tolerance (mm)

No. of Pos.	A	Tol. A	B	Tol. B
02	7,00	± 0,10	3,50	± 0,10
03	10,50	± 0,10	7,00	± 0,10
04	14,00	± 0,10	10,50	± 0,10
05	17,50	± 0,10	14,00	± 0,10
06	21,00	± 0,10	17,50	± 0,10
07	24,50	± 0,10	21,00	± 0,10
08	28,00	± 0,10	24,50	± 0,10
09	31,50	± 0,20	28,00	± 0,20
10	35,00	± 0,20	31,50	± 0,20
11	38,50	± 0,20	35,00	± 0,20
12	42,00	± 0,20	38,50	± 0,20
13	45,50	± 0,20	42,00	± 0,20
14	49,00	± 0,20	45,50	± 0,20
15	52,50	± 0,20	49,00	± 0,20
16	56,00	± 0,20	52,50	± 0,20
17	59,50	± 0,30	56,00	± 0,30
18	63,00	± 0,30	59,50	± 0,30
19	66,50	± 0,30	63,00	± 0,30
20	70,00	± 0,30	66,50	± 0,30
21	73,50	± 0,30	70,00	± 0,30
22	77,00	± 0,30	73,50	± 0,30
23	80,50	± 0,30	77,00	± 0,30
24	84,00	± 0,30	80,50	± 0,30

**Pluggable Terminal Block
(Plug)**

Part No.: **A14G093**

Customer:

DRW:	Jason	CHKD	Wilson	MATL:	Wilson	TOLERANCE	Mason	DATE	15.03.2017
APPD:	Schumi			FINISH	Jamy		Sheet No.		2 from 3


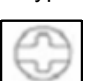
EDCON-COMPONENTS



Ordering Informations

Serie	No. of Pos.	Body Color	Screw Type	Approval Code	ROHS	Packing	EDCON Cust. No.	Customer Version		
-------	-------------	------------	------------	---------------	------	---------	-----------------	------------------	--	--

A14G093	02	PG	A	N	R	B				
----------------	-----------	-----------	----------	----------	----------	----------	--	--	--	--

Pitch 3,50	02 = Number of Pos. Standard 2 ~ 24Pos.	PG = Phoenix Green (Standard) WH = White GN = Green GY = Gray LG = Light Gray OR = Orange BL = Blue BK = Black	A = Slotted Screw Type (Standard)  B = Cross Slotted Screw Type  C = Screwless Type	N = NON Approval A = UL /UR Approval Please consult EDCON for available B = VDE Approval Please consult EDCON for available C = TÜV Approval Please consult EDCON for available	R = ROHS Conform N = NON ROHS Conform	B = Bulk-Ware I = Individual Package	xxxxxx = Customer Number	xxx = Customer Version ??(Printing)		
---------------	---	---	--	--	--	---	---------------------------------	--	--	--

Pluggable Terminal Block (Plug)

Part No.: **A14G093**

DRW:	Jason	CHKD	Wilson	MATL:	Wilson	TOLERANCE	Mason	DATE	15.03.2017
APPD:	Schumi			FINISH	Jamy		Sheet No.		3 from 3

Customer: