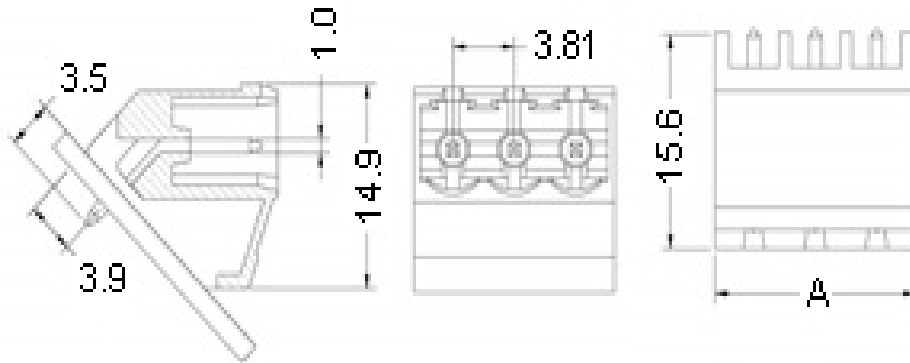




## Drawing



## Specification

### Electrical

Rated voltage AC 160V  
Rated current 8A

### Mechanical

Ambient temperature -40°C ~ +105°C

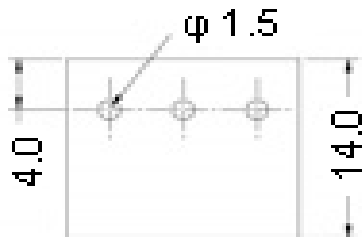
### Dimensions

Pitch 3.81mm  
Poles 2P - 25P

### Material

Housing PA66 (UL94V-0)  
Pin header Brass, Tin plated

## P.C.B. Layout



	A[mm]		A[mm]
02P	8.6	14P	54.3
03P	12.4	15P	58.2
04P	16.2	16P	61.9
05P	20.1	17P	65.8
06P	23.9	18P	69.6
07P	27.7	19P	73.4
08P	31.5	20P	77.2
09P	35.3	21P	81.0
10P	39.1	22P	84.8
11P	42.9	23P	88.6
12P	46.7	24P	92.4
13P	50.5	25P	95.9



Pluggable Terminal Block /  
Pitch 3.81mm

Part No.: A14H025

Customer:

DRW:	Justin	CHKD	Frank	MATL:	Jordan	TOLERANCE	Lord	Date	10.02.2009
APPD:	Pete			FINISH	Mike			Sheet No.	1 from 3



## Ordering Informations

Serie	-	No. of Pole	Body-Color	-	Customer Request
<b>A14H025</b>	-	<b>XX</b>	<b>XX</b>	-	<b>X</b>
		XX = total	<b>WH</b> - white		
		02	<b>GN</b> - green		
		...	<b>GR</b> - gray		
		25	<b>TP</b> - transparent		
			<b>OR</b> - orange		
			<b>BK</b> - black		
			<b>BL</b> - blue		
			<b>RD</b> - red		
			<b>YW</b> - yellow		
			<b>PG</b> - Phoenix Green		



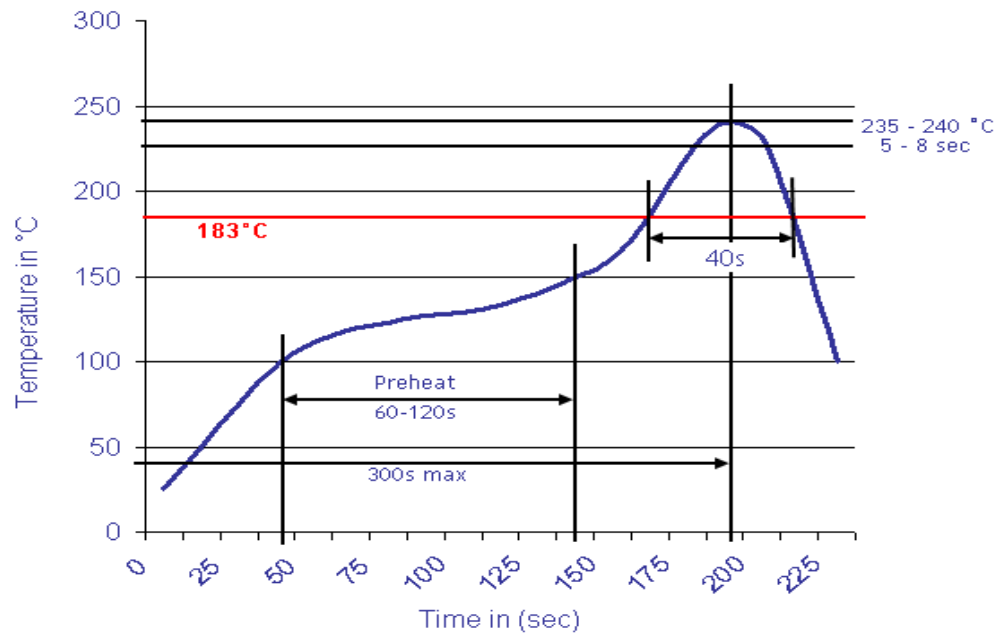
Pluggable Terminal Block / Pitch 3.81 mm	
Part No.:	A14H025
Customer:	

DRW:	Justin	CHKD	Frank	MATL:	Jordan	TOLERANCE	Lord	Date	10.02.2009
APPD:	Pete			FINISH	Mike		Sheet No.		2 from 3



**Soldering - Profil**

Classification Reflow Profile (JEDEC J-STD-020C)



Pluggable Terminal Block / Pitch 3.81 mm	
Part No.:	A14H025
Customer:	

DRW:	Justin	CHKD	Frank	MATL:	Jordan	TOLERANCE	Lord	Date	10.02.2009
APPD:	Pete			FINISH	Mike			Sheet No.	3 from 3