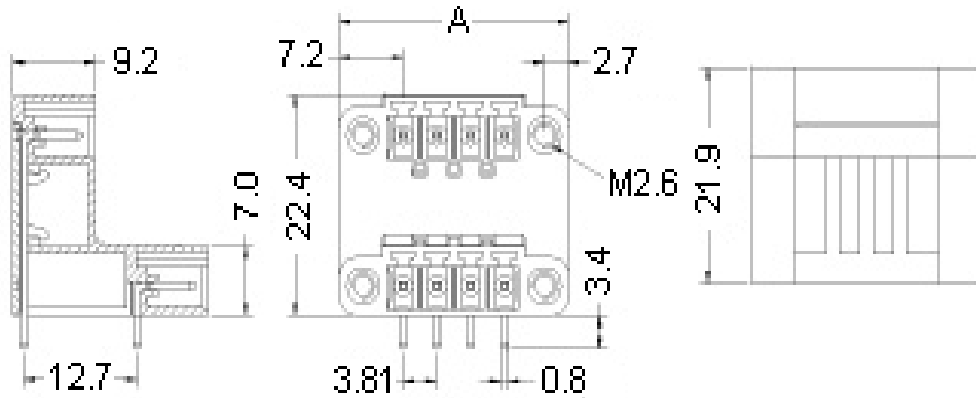


# EDCON-COMPONENTS

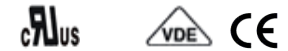


## Drawing



## Specification

### APPROVAL



#### Electrical

Standard  
Rated voltage  
Rated current

cUL	VDE
AC 300V	AC 300V
10A	8A

#### Mechanical

Ambient temperature

-40°C ~ +105°C

#### Dimensions

Pitch  
Poles

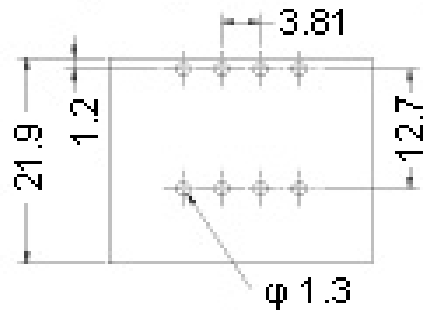
3.81mm  
4P - 40P

#### Material

Housing  
Pin header

PA66 (UL94V-0)  
Brass, Tin plated

## P.C.B. Layout



	A[mm]		A[mm]
04P	18.2	28P	63.9
06P	22.0	30P	67.7
08P	25.8	32P	71.6
10P	29.6	34P	75.4
12P	33.5	36P	79.2
14P	37.3	38P	83.0
16P	41.1	40P	86.8
18P	44.9		
20P	48.7		
22P	52.5		
24P	56.3		
26P	60.1		



[Certification](#)



Pluggable Terminal Block /  
Pitch 3.81mm

Part No.: A14H023

Customer:

DRW:	Justin	CHKD	Frank	MATL:	Jordan	TOLERANCE	Lord	Date	10.02.2009
APPD:	Pete			FINISH	Mike			Sheet No.	1 from 3

[www.edcon-components.com](http://www.edcon-components.com)

email: [info@edcon-components.com](mailto:info@edcon-components.com)

# EDCON-COMPONENTS



## Ordering Informations

Serie	-	No. of Pole	Body-Color	-	Customer Request
<b>A14H023</b>	-	<b>XX</b>	<b>XX</b>	-	<b>X</b>
		XX = total	<b>WH</b> - white		
		04	<b>GN</b> - green		
		...	<b>GR</b> - gray		
		40	<b>TP</b> - transparent		
			<b>OR</b> - orange		
			<b>BK</b> - black		
			<b>BL</b> - blue		
			<b>RD</b> - red		
			<b>YW</b> - yellow		
			<b>PG</b> - Phoenix Green		



Pluggable Terminal Block / Pitch 3.81 mm	
Part No.:	A14H023
Customer:	

DRW:	Justin	CHKD	Frank	MATL:	Jordan	TOLERANCE	Lord	Date	10.02.2009
APPD:	Pete			FINISH	Mike		Sheet No.		2 from 3

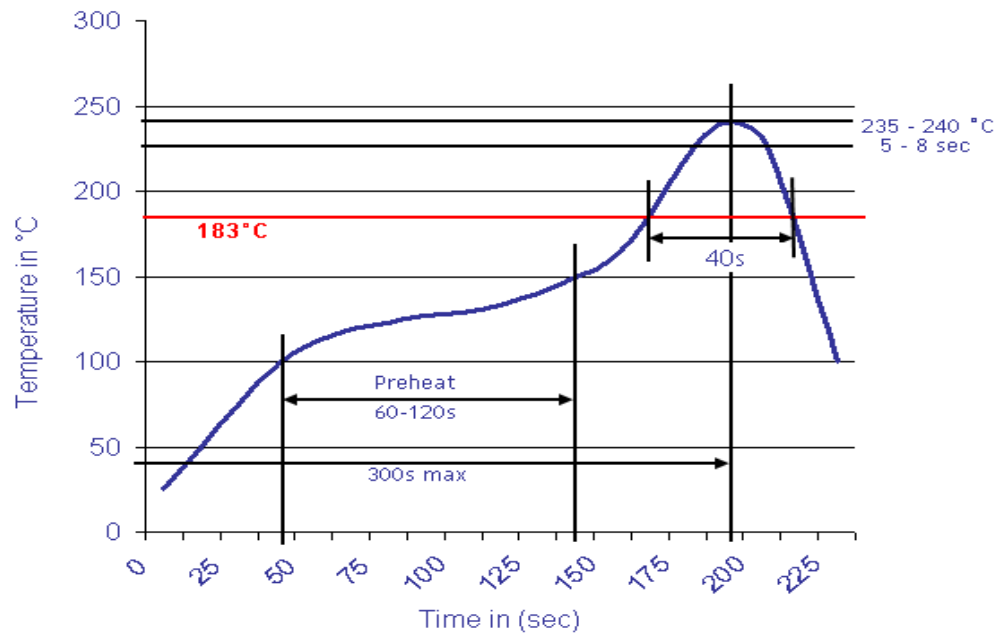
[www.edcon-components.com](http://www.edcon-components.com)

email: [info@edcon-components.com](mailto:info@edcon-components.com)



**Soldering - Profil**

Classification Reflow Profile (JEDEC J-STD-020C)



Pluggable Terminal Block / Pitch 3.81 mm	
Part No.:	A14H023
Customer:	

DRW:	Justin	CHKD	Frank	MATL:	Jordan	TOLERANCE	Lord	Date	10.02.2009
APPD:	Pete			FINISH	Mike			Sheet No.	3 from 3