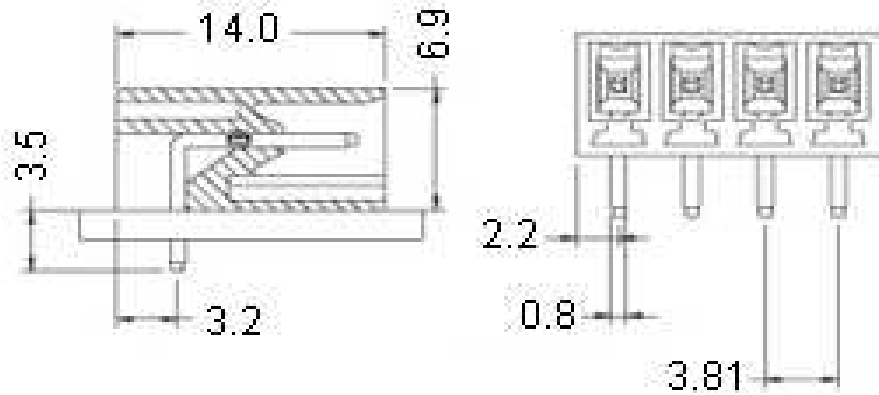


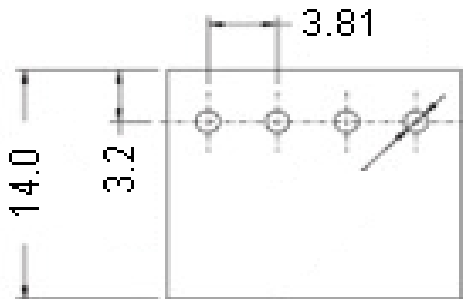
EDCON-COMPONENTS



Drawing



P.C.B. Layout



	A[mm]		A[mm]
02P	8.6	14P	54.3
03P	12.4	15P	58.1
04P	16.2	16P	61.9
05P	20.0	17P	65.7
06P	23.8	18P	69.5
07P	27.6	19P	73.3
08P	31.4	20P	77.1
09P	35.2	21P	80.9
10P	39.0	22P	84.8
11P	42.8	23P	86.6
12P	46.7	24P	92.4
13P	50.5		

Specification

APPROVAL

Electrical

Standard
Rated voltage
Rated current

Mechanical

Ambient temperature

Dimensions

Pitch
Poles

Material

Housing
Pin header



cUL
AC 300V
12A

-40°C ~ +105°C

3.81mm
2P - 24P

PA66 (UL94V-0)
Brass, Tin plated



[Certification](#)



Pluggable Terminal Block /
Pitch 3.81mm

Part No.: A14H019

Customer:

DRW:	Justin	CHKD	Frank	MATL:	Jordan	TOLERANCE	Lord	Date	10.02.2009
APPD:	Pete			FINISH	Mike			Sheet No.	1 from 3

www.edcon-components.com

email: info@edcon-components.com

EDCON-COMPONENTS



Ordering Informations

Serie	-	No. of Pole	Body-Color	-	Customer Request
A14H019	-	XX	XX	-	X
		XX = total	WH - white		
		02	GN - green		
		...	GR - gray		
		24	TP - transparent		
			OR - orange		
			BK - black		
			BL - blue		
			RD - red		
			YW - yellow		
			PG - Phoenix Green		



Pluggable Terminal Block / Pitch 3.81mm	
Part No.:	A14H019
Customer:	

DRW:	Justin	CHKD:	Frank	MATL:	Jordan	TOLERANCE:	Lord	Date:	10.02.2009
APPD:	Pete	FINISH:	Mike				Sheet No.:		2 from 3

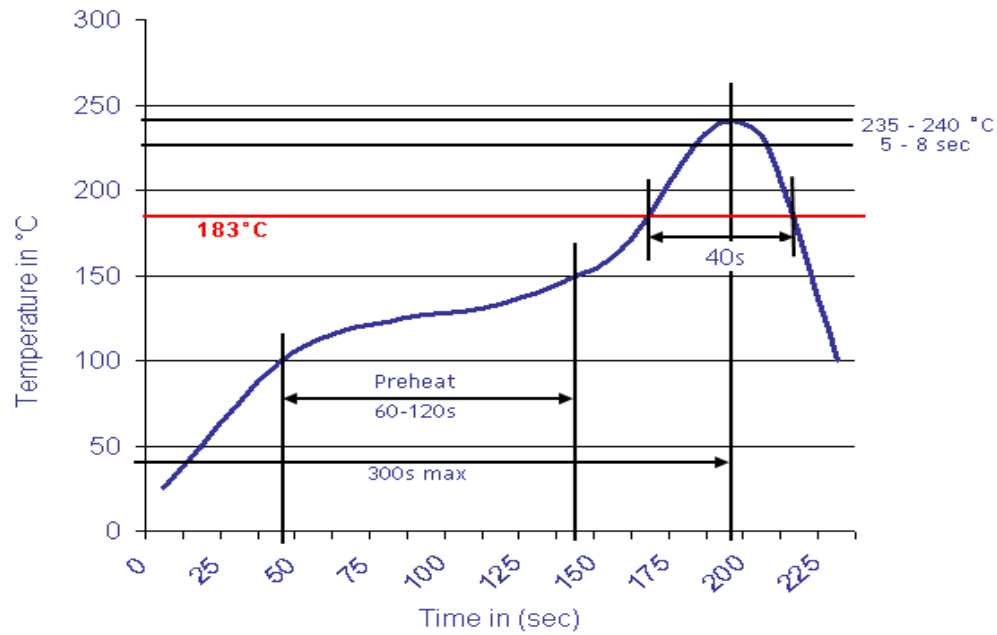
www.edcon-components.com

email: info@edcon-components.com



Soldering - Profil

Classification Reflow Profile (JEDEC J-STD-020C)



Pluggable Terminal Block /
Pitch 3.81 mm

Part No.: A14H019

Customer:

DRW:	Justin	CHKD	Frank	MATL:	Jordan	TOLERANCE	Lord	Date	10.02.2009
APPD:	Pete			FINISH	Mike			Sheet No.	3 from 3