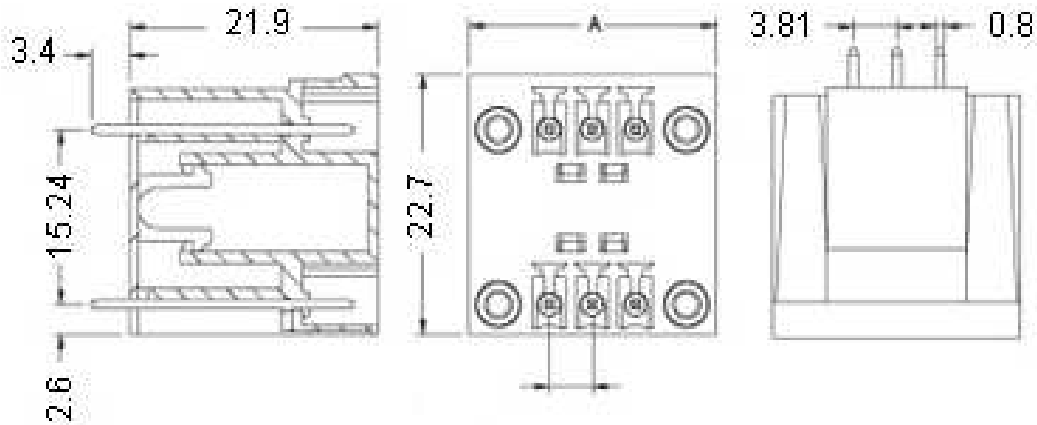


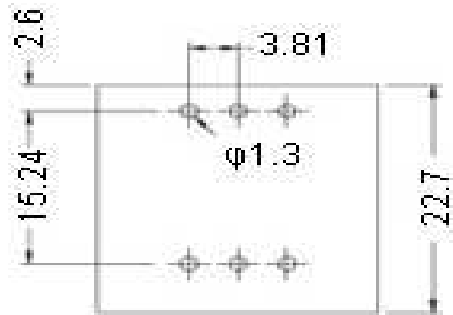
EDCON-COMPONENTS



Drawing



P.C.B. Layout



	A[mm]		A[mm]
04P	18.02	24P	56.12
06P	21.83	26P	59.93
08P	25.64	28P	63.74
10P	29.45	30P	67.55
12P	33.26	32P	71.36
14P	37.07	34P	75.17
16P	40.88	36P	78.98
18P	44.69	38P	82.79
20P	48.50	40P	86.6
22P	52.31		

Specification

APPROVAL



Electrical

Standard
Rated voltage
Rated current

cUL
AC 300V
10A

Mechanical

Ambient temperature

-40°C ~ +105°C

Dimensions

Pitch
Poles

3.81mm
4P - 40P

Material

Housing
Pin header

PBT (UL94V-0)
Brass, Tin plated



[Certification](#)



Pluggable Terminal Block /
Pitch 3.81mm

Part No.: A14H016

Customer:

DRW:	Justin	CHKD	Frank	MATL:	Jordan	TOLERANCE	Lord	Date	10.02.2009
APPD:	Pete			FINISH	Mike			Sheet No.	1 from 3

www.edcon-components.com

email: info@edcon-components.com



Ordering Informations

Serie	-	No. of Pole	Body-Color	-	Customer Request
A14H016	-	XX	XX	-	X
		XX = total	WH - white		
		04	GN - green		
		...	GR - gray		
		40	TP - transparent		
			OR - orange		
			BK - black		
			BL - blue		
			RD - red		
			YW - yellow		
			PG - Phoenix Green		



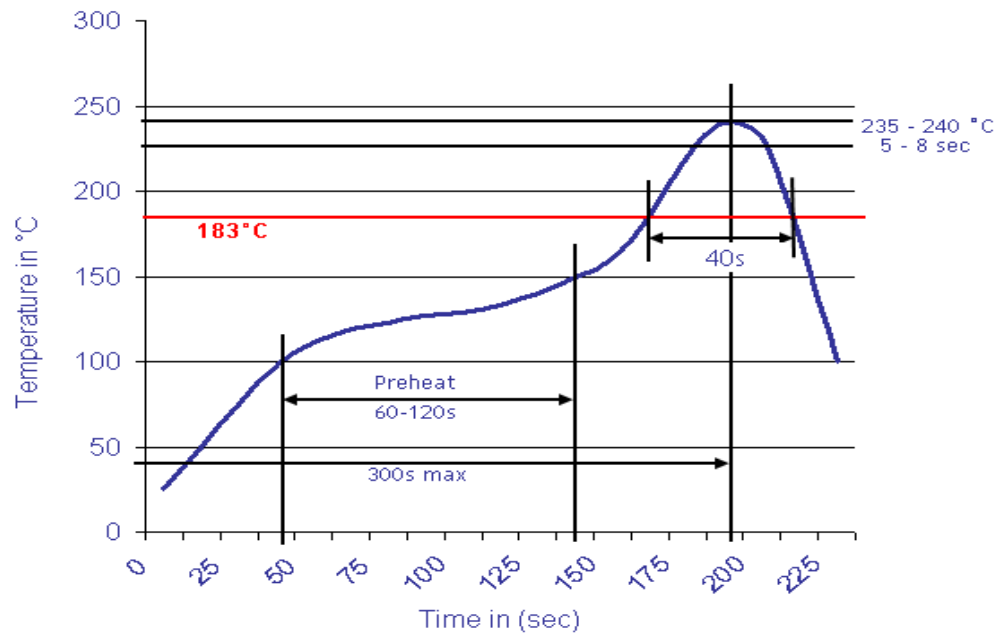
Pluggable Terminal Block / Pitch 3.81 mm	
Part No.:	A14H016
Customer:	

DRW:	Justin	CHKD	Frank	MATL:	Jordan	TOLERANCE	Lord	Date	10.02.2009
APPD:	Pete			FINISH	Mike		Sheet No.		2 from 3



Soldering - Profil

Classification Reflow Profile (JEDEC J-STD-020C)



Pluggable Terminal Block /
Pitch 3.81 mm

Part No.: A14H016

DRW:	Justin	CHKD	Frank	MATL:	Jordan	TOLERANCE	Lord	Date	10.02.2009
APPD:	Pete			FINISH	Mike			Sheet No.	3 from 3

Customer: