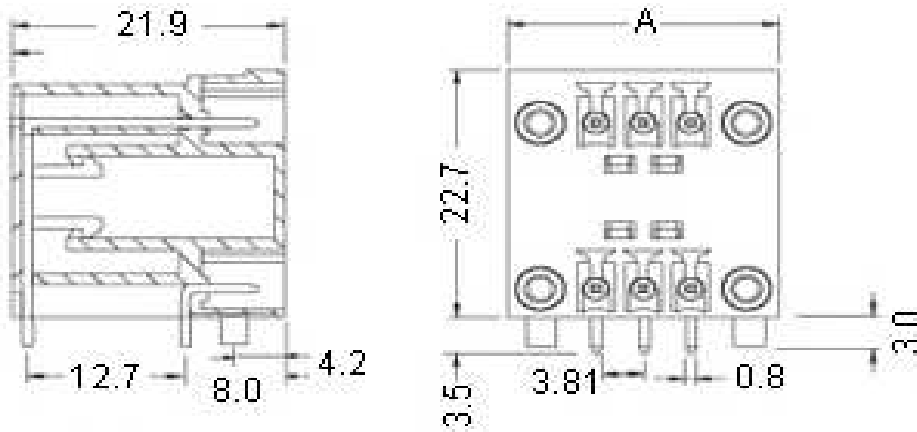


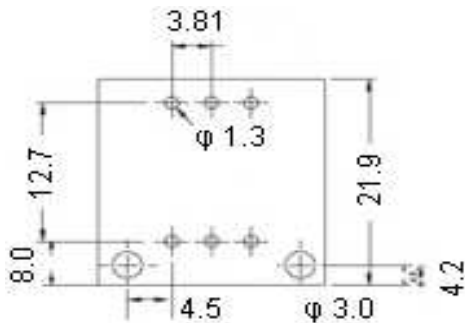
EDCON-COMPONENTS



Drawing



P.C.B. Layout



	A[mm]		A[mm]
04P	18.02	20P	48.50
06P	21.83	22P	52.31
08P	25.64	24P	56.12
10P	29.45	26P	59.93
12P	33.26	28P	63.74
14P	37.07	30P	67.55
16P	40.88	32P	71.36
18P	44.69		

Specification

APPROVAL

Electrical

Standard
Rated voltage
Rated current

Mechanical

Ambient temperature

Dimensions

Pitch
Poles

Material

Housing
Pin header



cUL
AC 300V
10A

-40°C ~ +105°C

3.81mm
4P - 32P

PBT (UL94V-0)
Brass, Tin plated



Certification



Pluggable Terminal Block /
Pitch 3.81mm

Part No.: A14H015

Customer:

DRW:	Justin	CHKD	Frank	MATL:	Jordan	TOLERANCE	Lord	Date	10.02.2009
APPD:	Pete			FINISH	Mike			Sheet No.	1 from 3

www.edcon-components.com

email: info@edcon-components.com



Ordering Informations

Serie	-	No. of Pole	Body-Color	-	Customer Request
A14H015	-	XX	XX	-	X
		XX = total	WH - white		
		04	GN - green		
		...	GR - gray		
		32	TP - transparent		
			OR - orange		
			BK - black		
			BL - blue		
			RD - red		
			YW - yellow		
			PG - Phoenix Green		



[Certification](#)



Pluggable Terminal Block /

Pitch 3.81mm

Part No.: A14H015

Customer:

DRW:	Justin	CHKD	Frank	MATL:	Jordan	TOLERANCE	Lord	Date	10.02.2009
APPD:	Pete			FINISH	Mike			Sheet No.	2 from 3

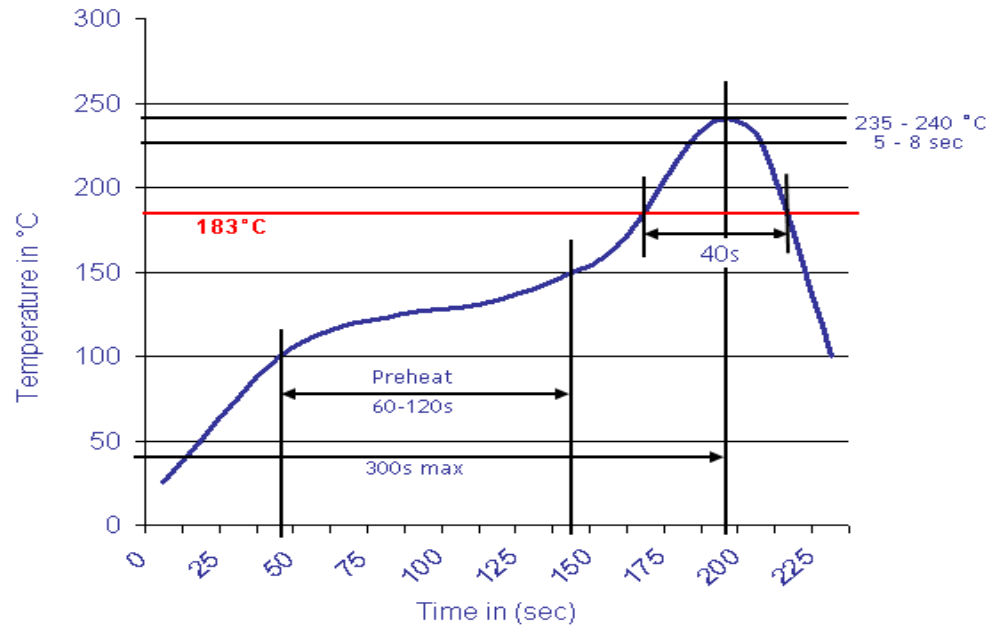
www.edcon-components.com

email: info@edcon-components.com



Soldering - Profil

Classification Reflow Profile (JEDEC J-STD-020C)



Pluggable Terminal Block / Pitch 3.81mm	
Part No.:	A14H015
Customer:	

DRW:	Justin	CHKD	Frank	MATL:	Jordan	TOLERANCE	Lord	Date	10.02.2009
APPD:	Pete			FINISH	Mike			Sheet No.	3 from 3